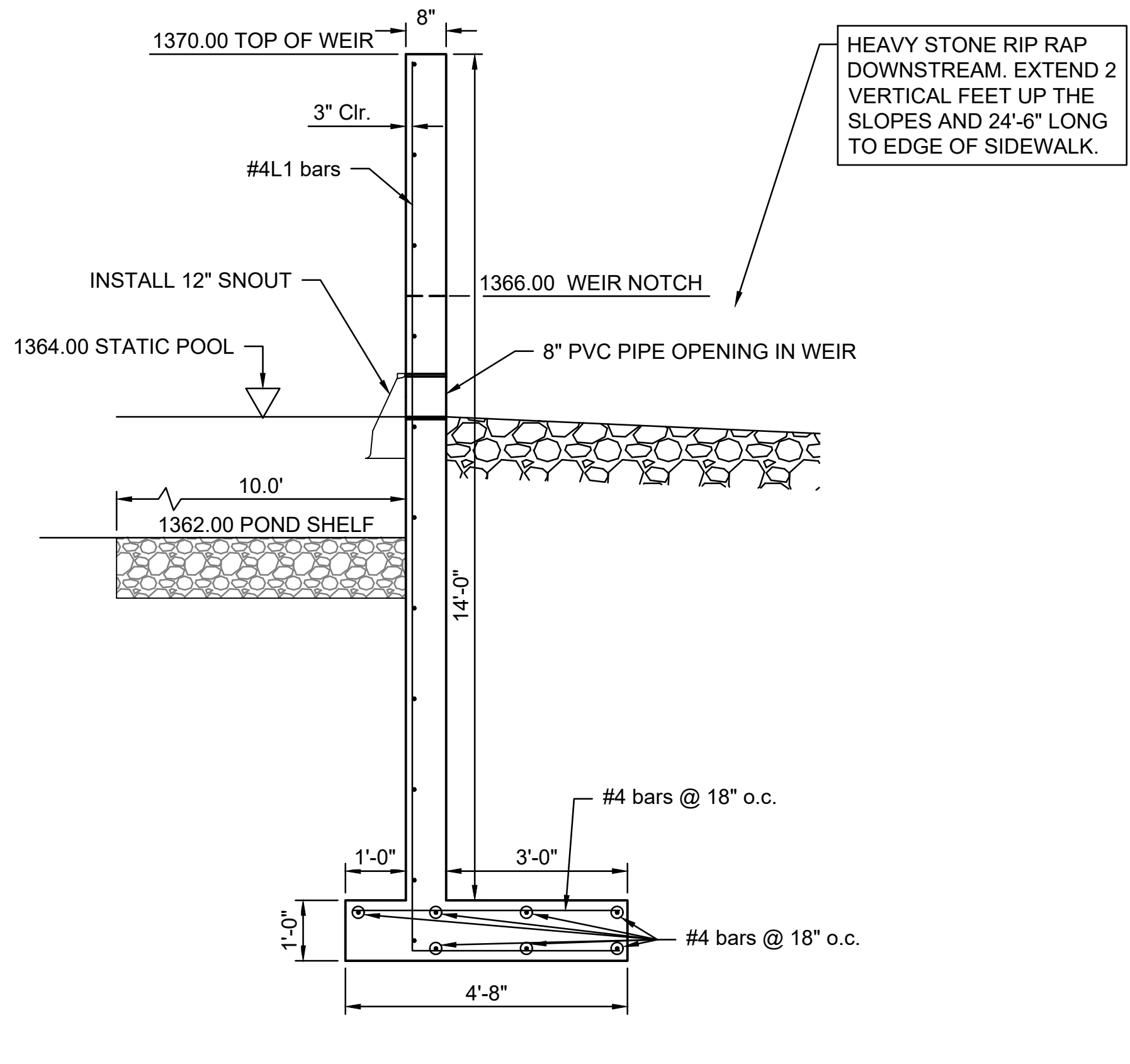
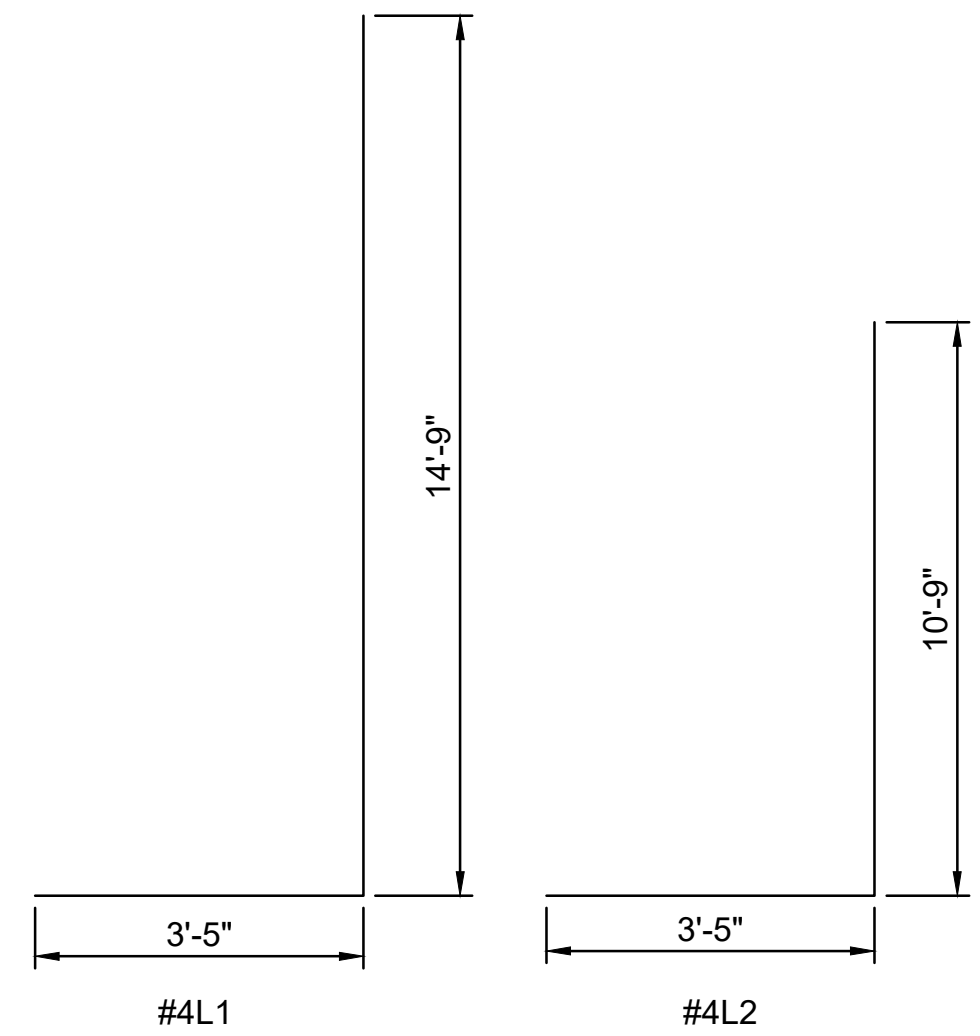


POND WEIR WALL DETAIL

Air Entrained Concrete: F'c = 4,000 psi @ 28 days
 Reinforcing: Fy = 60,000 psi
 Cover over Reinforcing is 2" unless otherwise indicated.



WEIR WALL SECTION A-A



BAR BENDING

GARVER
 © 2023 GARVER, LLC
 THIS DOCUMENT, ALONG WITH THE IDEAS AND DESIGNS CONVEYED HEREIN, SHALL BE CONSIDERED INSTRUMENTS OF PROFESSIONAL SERVICE AND ARE PROPERTY OF GARVER, LLC. ANY USE, REPRODUCTION, OR DISTRIBUTION OF THIS DOCUMENT, ALONG WITH THE IDEAS AND DESIGN CONTAINED HEREIN, IS PROHIBITED UNLESS AUTHORIZED IN WRITING BY GARVER, LLC OR EXPLICITLY ALLOWED IN THE GOVERNING PROFESSIONAL SERVICES AGREEMENT FOR THIS WORK.
 1995 Midfield Road
 Wichita, KS 67209
 (316) 264-8008

REV.	DATE	DESCRIPTION	BY

CITY OF WICHITA
 WICHITA, KANSAS
AREA 151
STORM WATER DRAIN - PHASE 1

LOWER WEIR DETAILS

JOB NO.: 22T41002
 DATE: DEC 2023
 DESIGNED BY: .
 DRAWN BY: .

BAR IS ONE INCH ON ORIGINAL DRAWING
 0 1" IF NOT ONE INCH ON THIS SHEET, ADJUST SCALES ACCORDINGLY.

DRAWING NUMBER

SHEET NUMBER **25** OF **93**

File: L:\2022\22T41002 - Area 151 - Additional Drawings\C3D\SWS SHEETS\Lower Pond Details.dwg Last Save: 10/24/2023 6:27 AM Last saved by: DRStandrich
 Last plotted by: Standrich, Darryl R. Plot Style: --- Plot Scale: 1:2.5849 Plot Date: 12/1/2023 7:41 AM Plotter Used: None