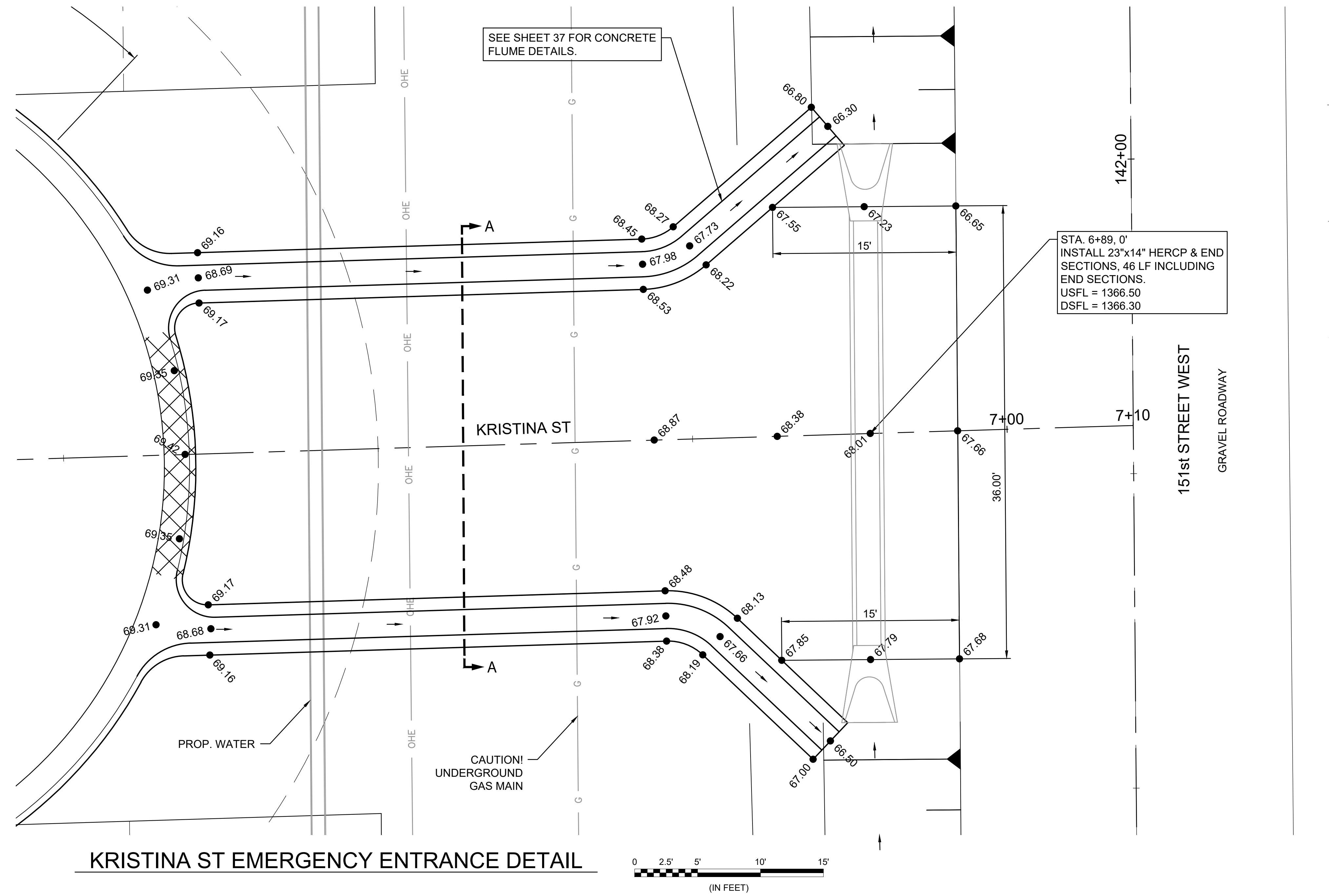
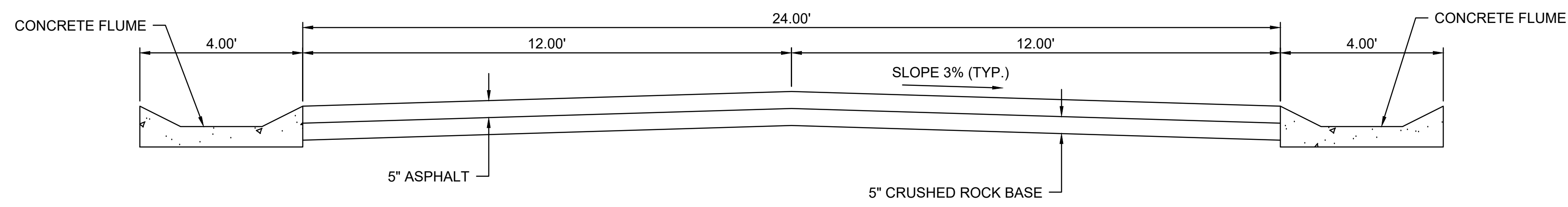


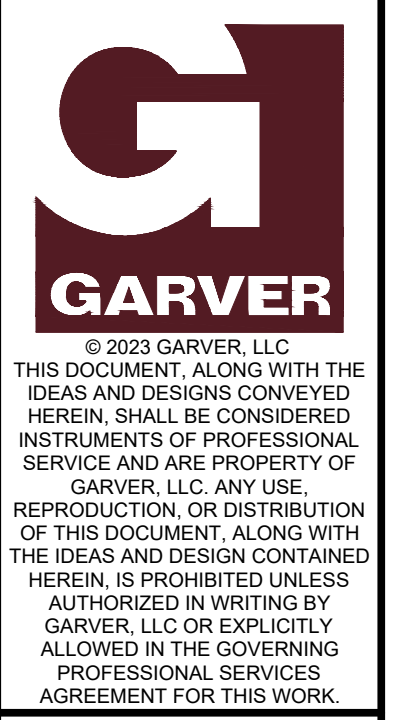
File: L:\2022\22141002 - Area 151 Additional Drawings\C3D\PAVING SHEETS\KRISTINA ST ENTRANCE DETAILS.dwg Last Save: 10/19/2023 9:57 AM Last saved by: DRStandrich  
 Last plotted by: Standrich, Darryl R. Plot Style: --- Plot Scale: 1:2,584.9 Plot Date: 12/1/2023 9:18 AM Plotter used: None



KRISTINA ST EMERGENCY ENTRANCE DETAIL



EMERGENCY ENTRANCE SECTION A-A



© 2023 GARVER, LLC  
 THIS DOCUMENT, ALONG WITH THE IDEAS AND DESIGNS CONVEYED HEREIN, SHALL BE CONSIDERED INSTRUMENTS OF PROFESSIONAL SERVICE AND ARE PROPERTY OF GARVER, LLC. ANY USE, REPRODUCTION, OR DISTRIBUTION OF THIS DOCUMENT, ALONG WITH THE IDEAS AND DESIGN CONTAINED HEREIN, IS PROHIBITED UNLESS AUTHORIZED IN WRITING BY GARVER, LLC OR EXPLICITLY ALLOWED IN THE GOVERNING PROFESSIONAL SERVICES AGREEMENT FOR THIS WORK.

1995 Midfield Road  
 Wichita, KS 67209  
 (316) 264-8008

REV.	DATE	DESCRIPTION	BY



CITY OF WICHITA  
 WICHITA, KANSAS

AREA 151  
 PAVING - PHASE 1

KRISTINA ST  
 EMERGENCY  
 ENTRANCE

JOB NO.: 22T41002  
 DATE: DEC. 2023  
 DESIGNED BY: .  
 DRAWN BY: .

BAR IS ONE INCH ON ORIGINAL DRAWING  
 0 1" IF NOT ONE INCH ON THIS SHEET, ADJUST SCALES ACCORDINGLY.

DRAWING NUMBER

SHEET NUMBER **51** OF **69**

