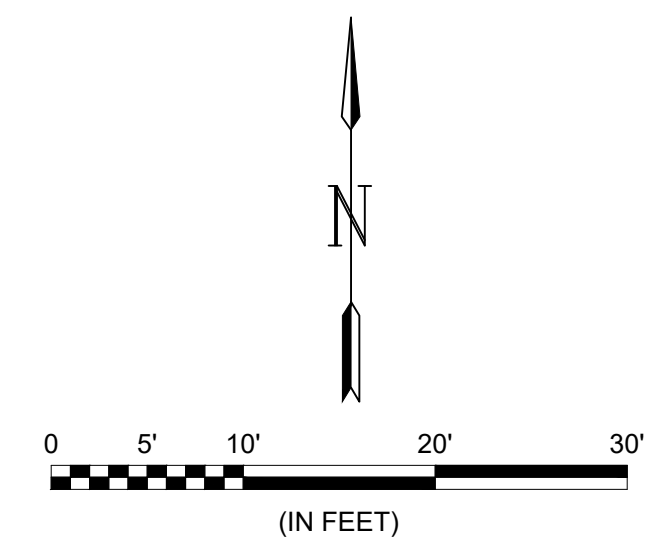
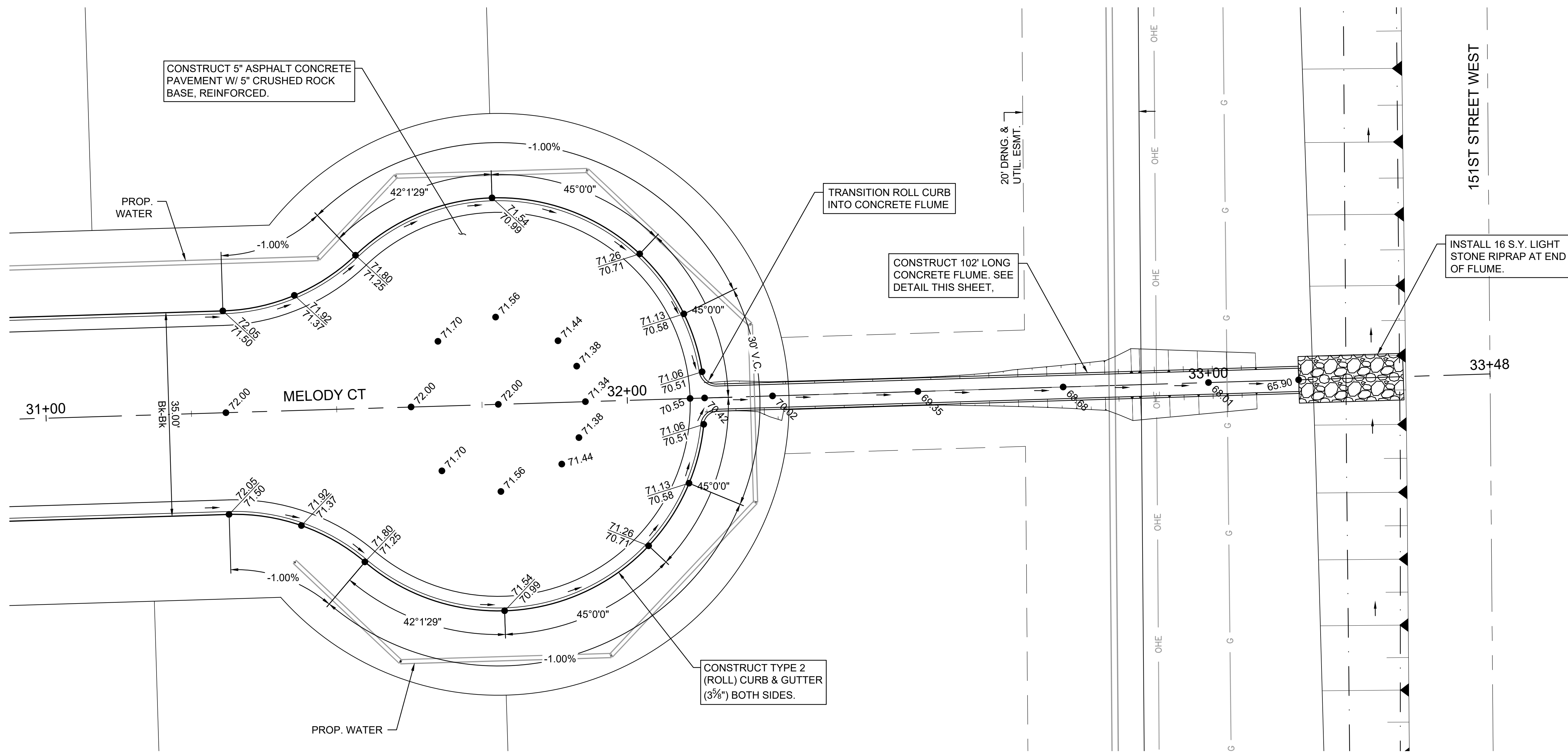
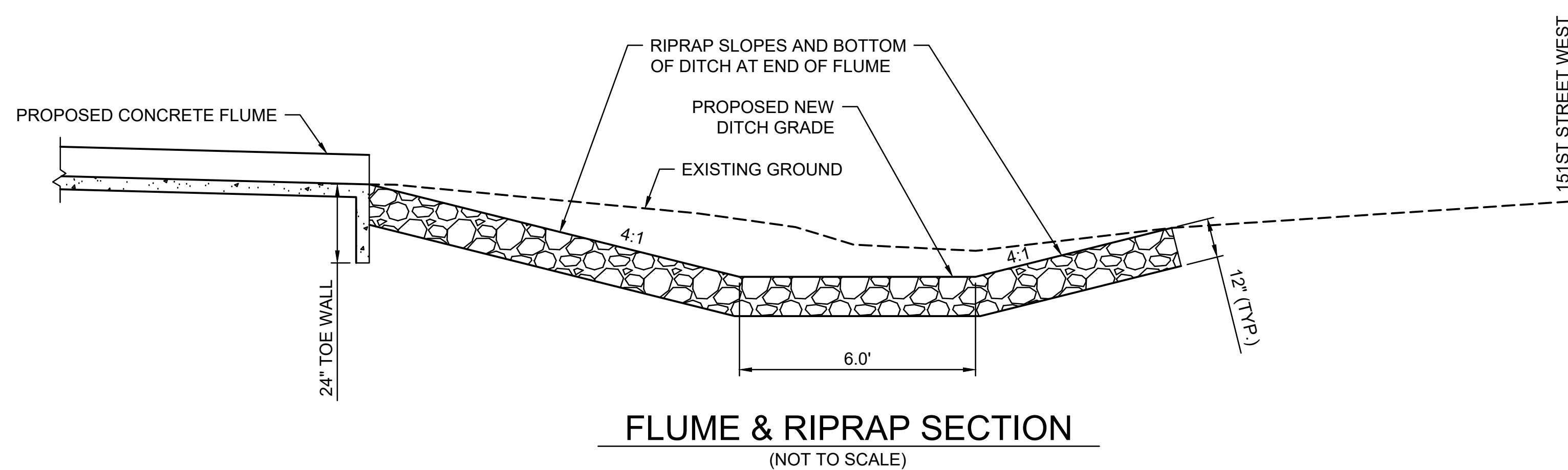
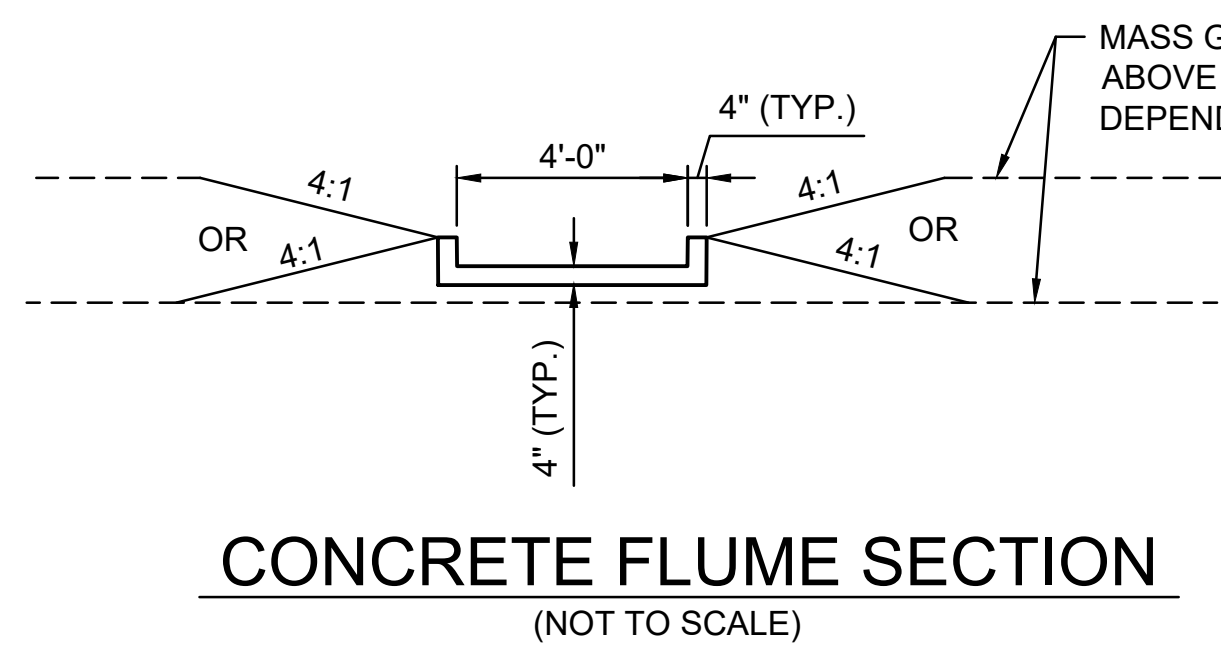




© 2023 GARVER, LLC
 THIS DOCUMENT, ALONG WITH THE IDEAS AND DESIGNS CONVEYED HEREIN, SHALL BE CONSIDERED INSTRUMENTS OF PROFESSIONAL SERVICE AND ARE PROPERTY OF GARVER, LLC. ANY USE, REPRODUCTION, OR DISTRIBUTION OF THIS DOCUMENT, ALONG WITH THE IDEAS AND DESIGN CONTAINED HEREIN, IS PROHIBITED UNLESS AUTHORIZED IN WRITING BY GARVER, LLC OR EXPLICITLY ALLOWED IN THE GOVERNING PROFESSIONAL SERVICES AGREEMENT FOR THIS WORK.

1995 Midfield Road
 Wichita, KS 67209
 (316) 264-8008



MELODY CT CUL-DE-SAC DETAILS

REV.	DATE	DESCRIPTION	BY



CITY OF WICHITA
 WICHITA, KANSAS
 AREA 151
 PAVING - PHASE 1

MELODY CT
 DETAILS

JOB NO.: 22T41002
 DATE: DEC. 2023
 DESIGNED BY: EJJ
 DRAWN BY: DRS

BAR IS ONE INCH ON ORIGINAL DRAWING
 IF NOT ONE INCH ON THIS SHEET, ADJUST SCALES ACCORDINGLY.

DRAWING NUMBER

SHEET NUMBER **52** OF **69**

File: L:\2022\22T41002 - Area 151 - Additional Drawings\C3D\PAVING SHEETS\MELODY CT DETAILS.dwg Last Save: 10/12/2023 5:14 PM Last saved by: DRS\landrich
 Last plotted by: Standrich, Darryl R. Plot Style: --- Plot Scale: 1:2.5849 Plot Date: 12/1/2023 9:19 AM Plotter Used: None