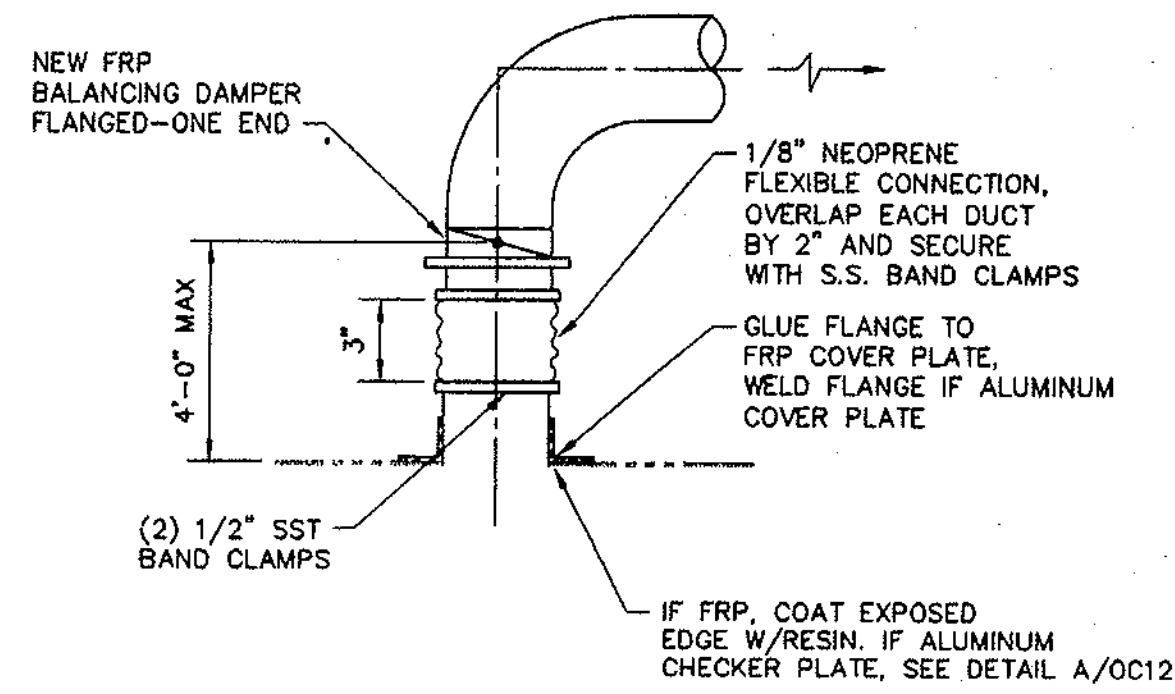


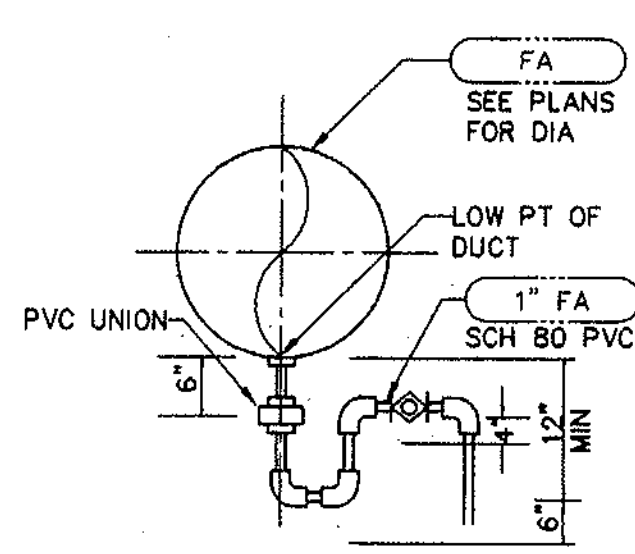
ALUMINUM COVER PLATE DUCT CONNECTION

DETAIL A TYP.  
NO SCALE



TANK OR CHANNEL COVER DUCT CONNECTION DETAIL

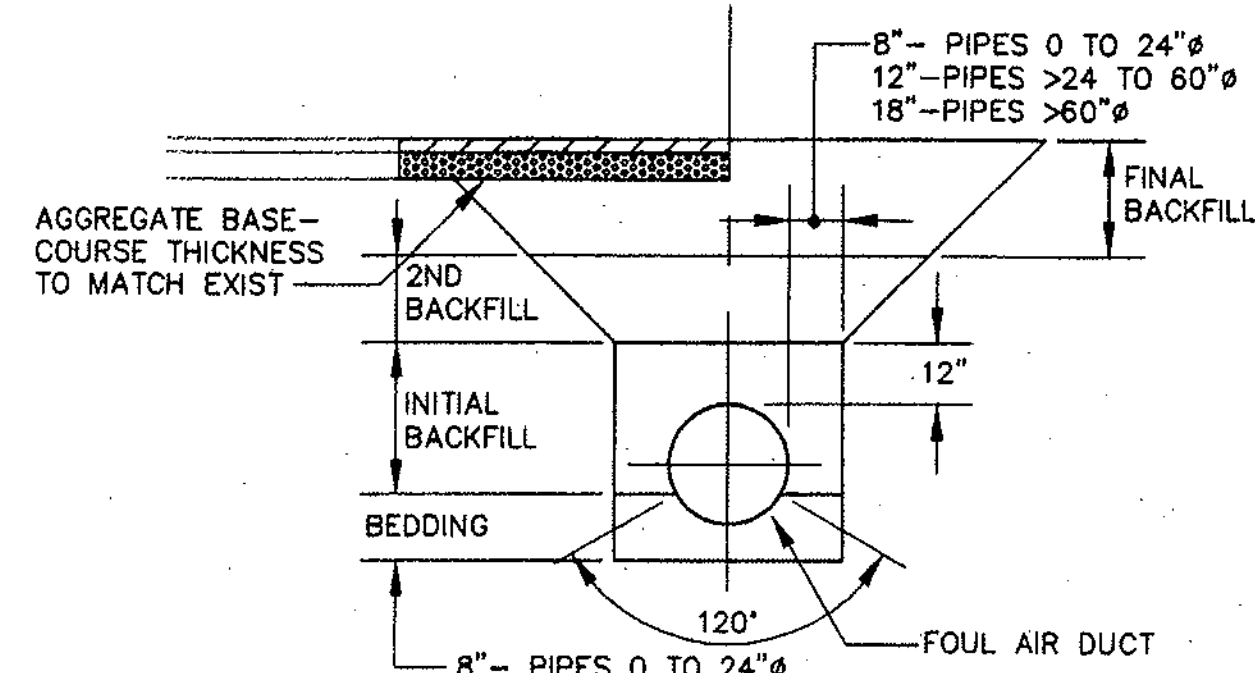
DETAIL B TYP.  
NO SCALE



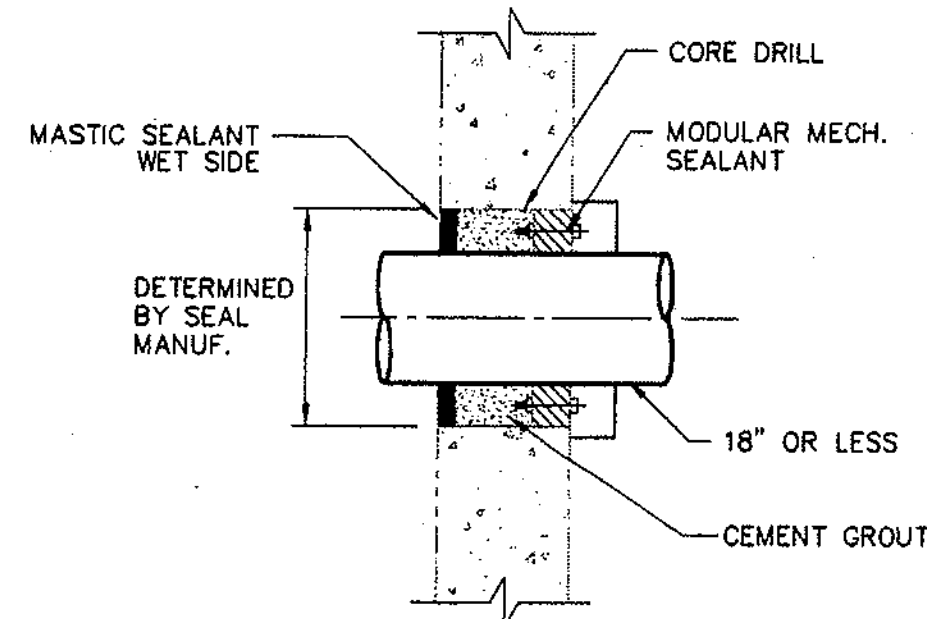
NOTE: PROVIDE FOUL AIR DUCT DRAIN AT ALL LOW POINTS, IN ABOVE GROUND DUCTS. (NOT SUITABLE FOR BURIED INSTALLATION)

FOUL AIR DUCT DRAIN

DETAIL C TYP.  
NO SCALE

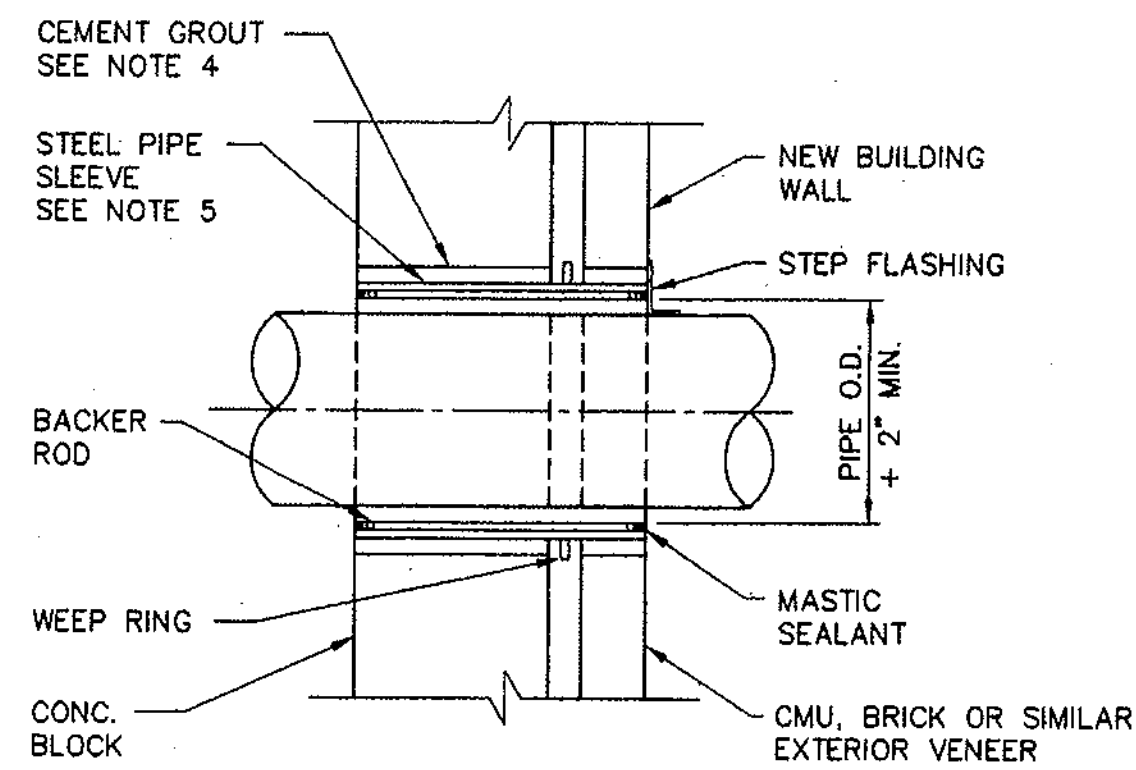


DETAIL D TYP.  
NO SCALE



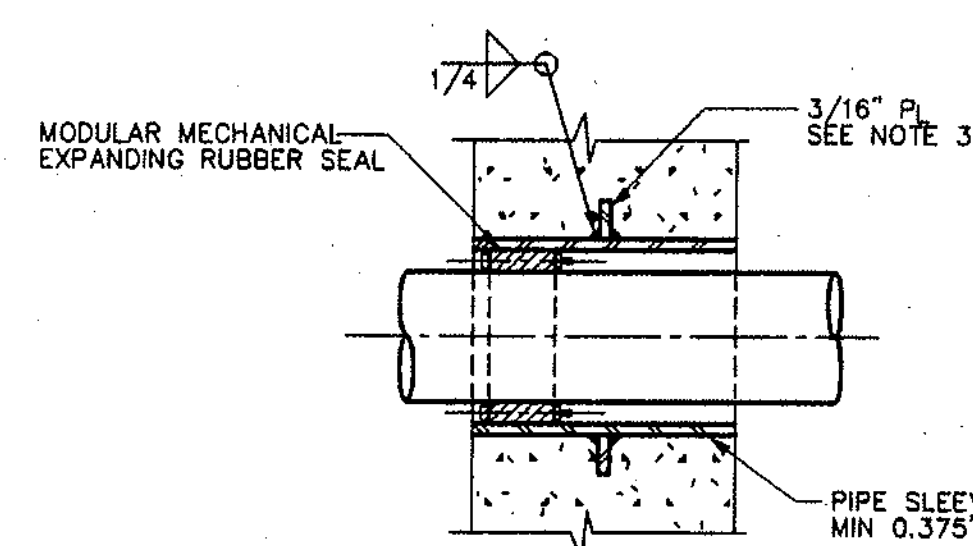
BURIED PIPE PENETRATION

DETAIL E VAR  
NO SCALE



FA DUCT PENETRATION DETAIL

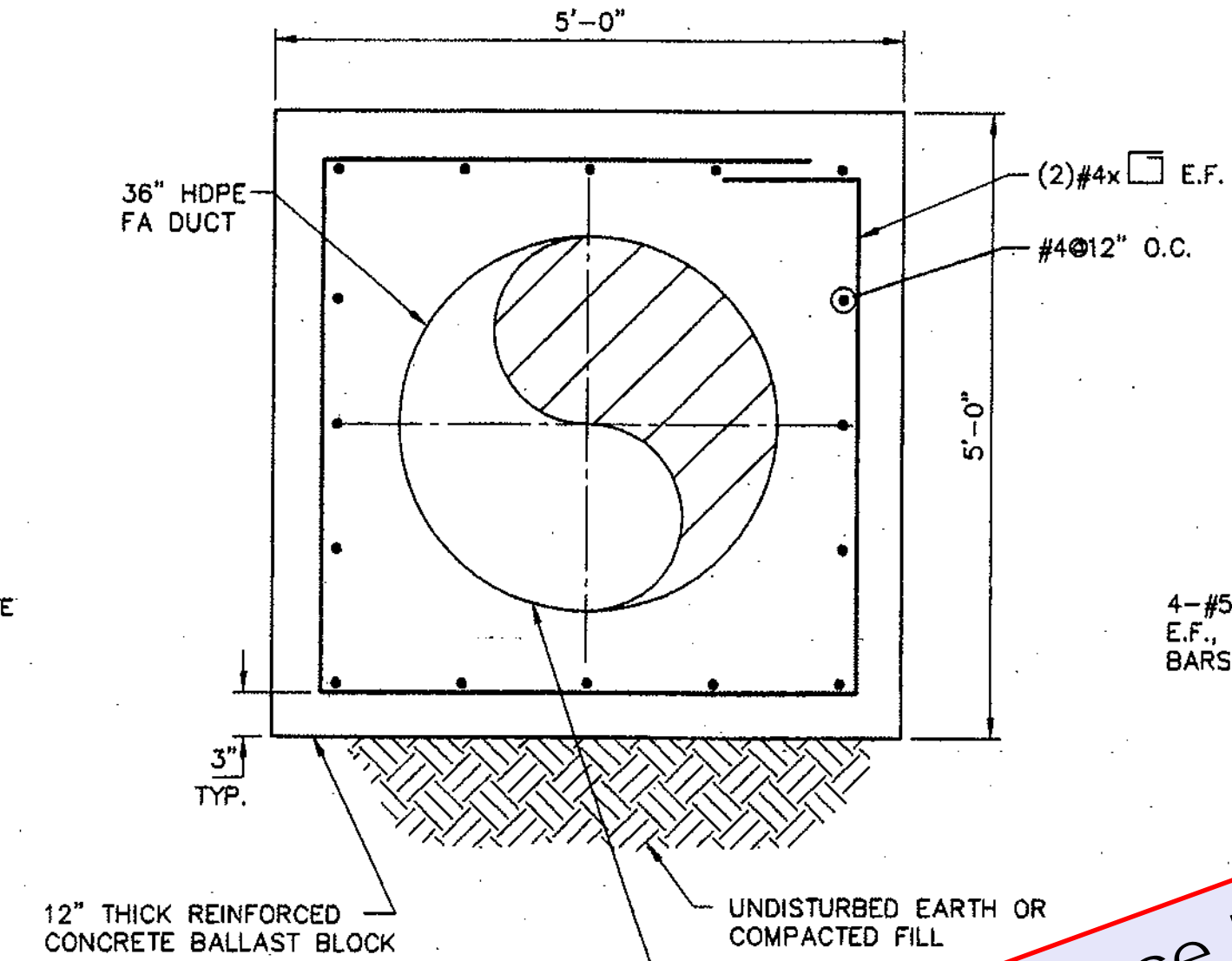
DETAIL F TYP.  
1"=1'-0"



NOTE: SLEEVE DIAMETER SHALL BE AS RECOMMENDED BY THE MECHANICAL SEAL MANUFACTURER.

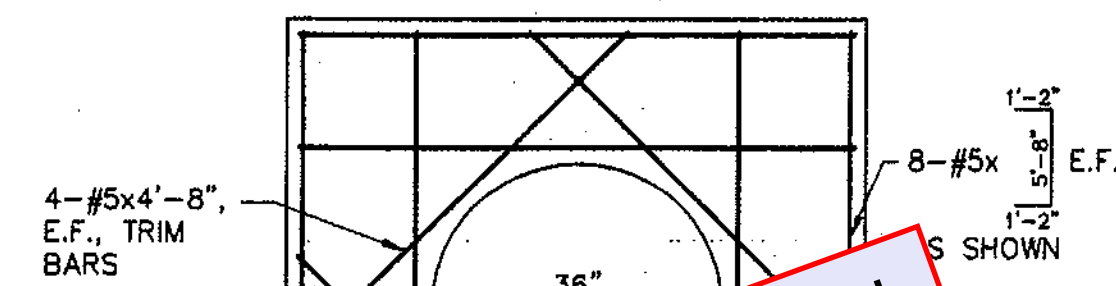
TYPICAL PENETRATIONS FOR NEW CONSTRUCTION

DETAIL G VAR  
NO SCALE

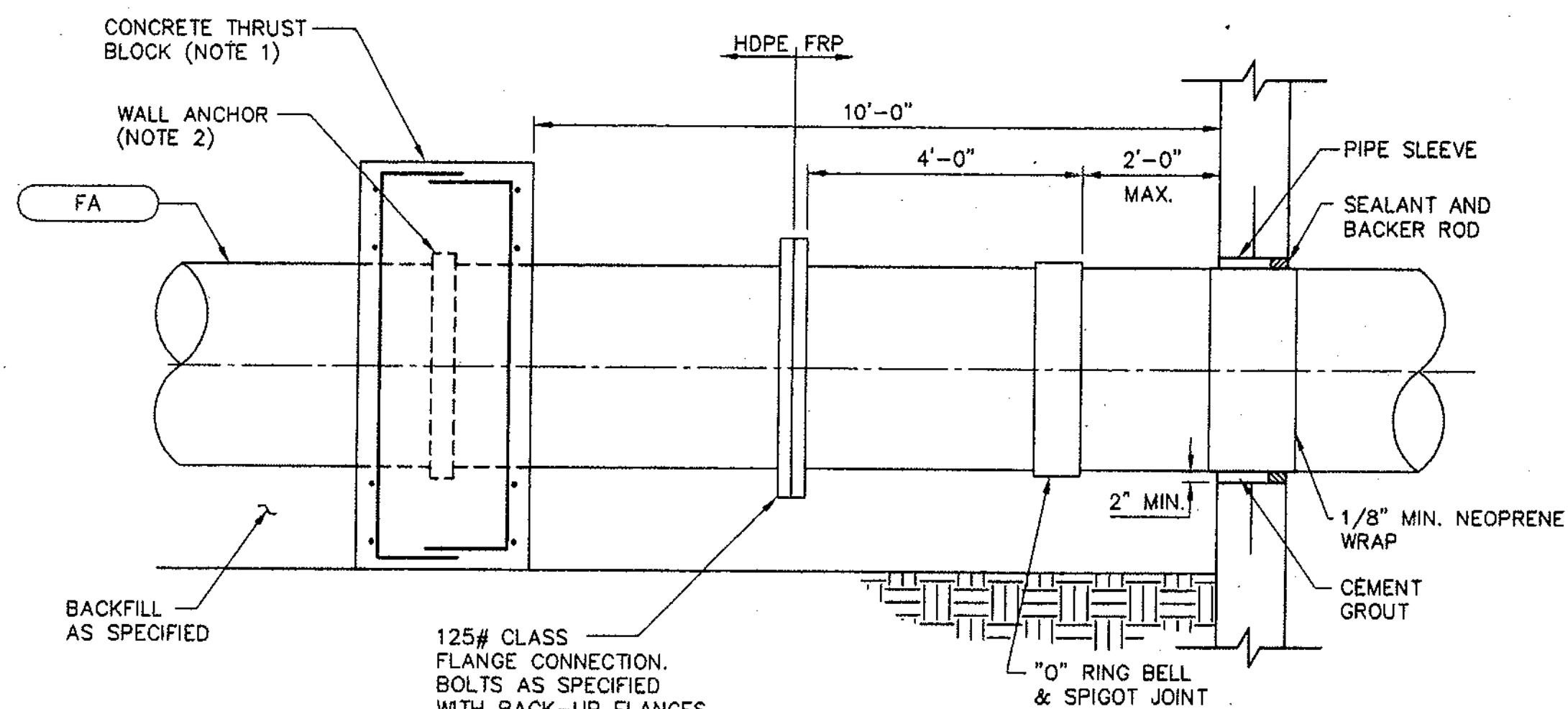


CONCRETE BALLAST BLOCK D

DETAIL H TYP.  
3/4"=1'-0"



DETAIL M TYP.  
SCALE: 1"=1'-0"

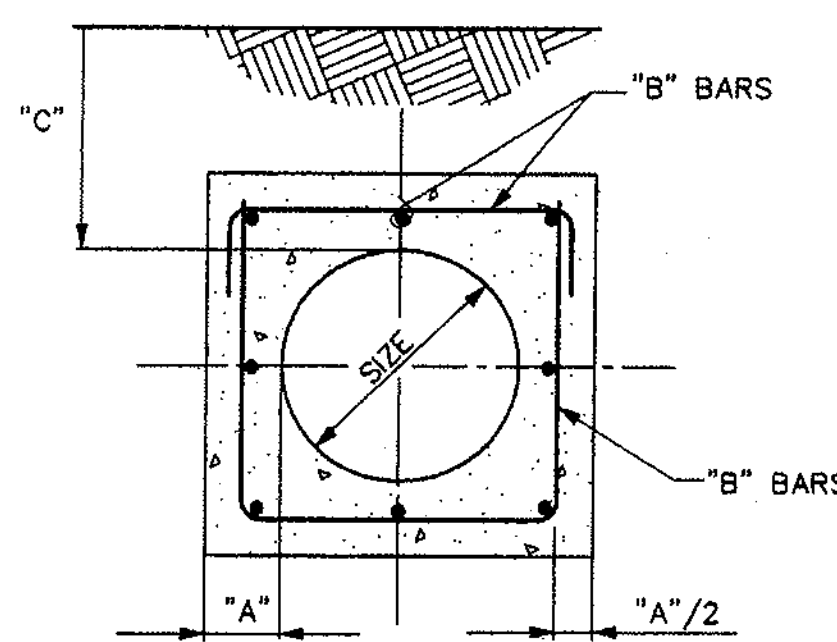


1. REINFORCED CONCRETE BLOCK, FORMED AND POURED AGAINST UNDISTURBED SOIL. (SEE SCHEDULE)
2. WALL ANCHOR FITTING FUSED TO PIPE TO TAKE SHEAR LOAD.

FACE DIM.	THICK DIM.	REINFORCEMENT DETAIL
12"	30"x30"	14 M/OC12
36"	72"x72"	18 L/OC12

HDPE/FRP TRANSITION

DETAIL I TYP.  
NO SCALE

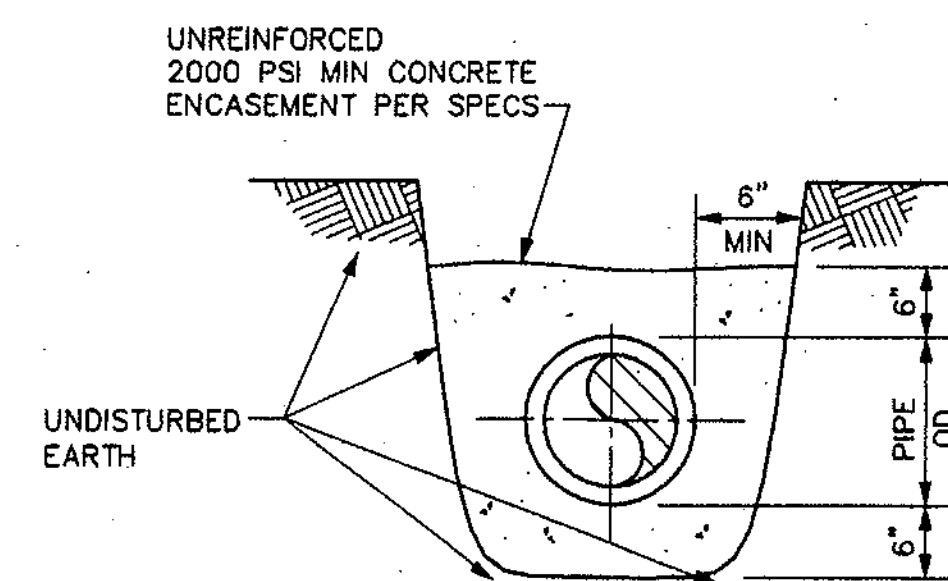


NOTE: PIPE SHALL BE CONSIDERED SHALLOW BURIAL AND REINFORCED CONCRETE ENCASEMENT IS REQUIRED WHEN DEPTH OF COVER IS LESS THAN "C" IN TABLE AND ALSO UNDER ROADWAYS UNLESS OTHERWISE NOTED

SIZE	"A"	"B"	"C"
2-12	8	5@12"	1'-6"
12-24	10	5@12"	2'-0"
30-36	12	6@12"	3'-0"

REINFORCED CONCRETE ENCASEMENT

DETAIL J VAR  
NO SCALE



BURIED CONCRETE ENCASEMENT

DETAIL K VAR  
NO SCALE

Reference Details from original NW Plant 3 Construction Plans. Sheet 22 of 29

12" THRUST BLOCK

DETAIL L TYP.  
SCALE: 1"=1'-0"

PATH: (bdcen01) P:\CAD\WICHITA\18253\18253\06 05-22-01 Lockwood



NORTHWEST SEWER TREATMENT PLANT NO. 3

Professional Engineering Consultants, P.A.

BROWN AND CALDWELL

No.	Revision	By	Date
NORTHWEST SEWER IMPROVEMENTS PROGRAM MANAGEMENT NORTHWEST SEWAGE TREATMENT PLANT NO. 3 - PHASE 2			
ODOR CONTROL DETAILS 2			
303 S. TOPEKA • WICHITA, KANSAS 67202 316-262-2691 • FAX 316-262-3003			
Designed by	SDJ/DWC	Job No.	18253
Drawn by	TBL	Date	6/2001
			OC12

LINE IS 2 INCHES AT FULL SIZE (IF NOT 2"-SCALE ACCORDINGLY)