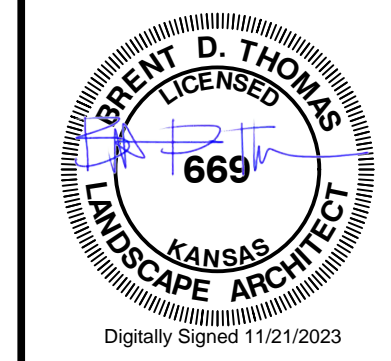




© 2023 GARVER, LLC
 THIS DOCUMENT, ALONG WITH THE IDEAS AND DESIGNS CONVEYED HEREIN, SHALL BE CONSIDERED INSTRUMENTS OF PROFESSIONAL SERVICE AND ARE PROPERTY OF GARVER, LLC. ANY USE, REPRODUCTION, OR DISTRIBUTION OF THIS DOCUMENT, ALONG WITH THE IDEAS AND DESIGN CONTAINED HEREIN, IS PROHIBITED UNLESS AUTHORIZED IN WRITING BY GARVER, LLC OR EXPLICITLY ALLOWED IN THE GOVERNING PROFESSIONAL SERVICES AGREEMENT FOR THIS WORK.

1995 Midfield Road
 Wichita, KS 67209
 (316) 264-8008



REV.	DATE	DESCRIPTION	BY

CITY OF WICHITA
 DEPT. OF PARK & RECREATION
 WICHITA, KANSAS

EDGEMOOR PARK
 PLAZA REPAIRS

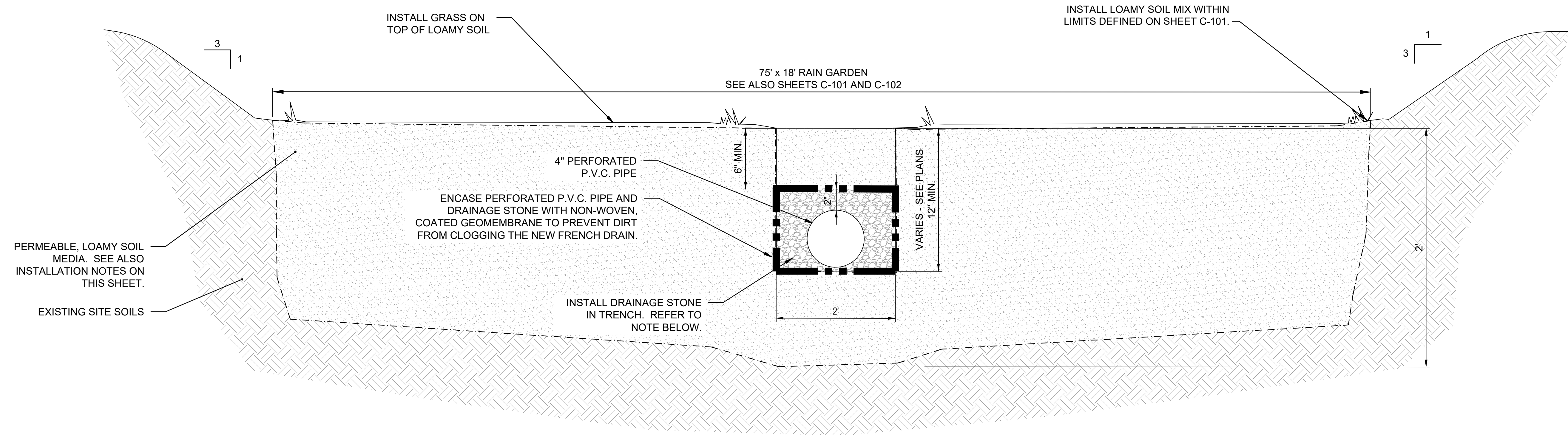
SITE DETAILS 03

JOB NO.: 22F00030
 DATE: NOV 2023
 DESIGNED BY: BDT
 DRAWN BY: BIG

BAR IS ONE INCH ON ORIGINAL DRAWING
 IF NOT ONE INCH ON THIS SHEET, ADJUST SCALES ACCORDINGLY.

DRAWING NUMBER
C-503

SHEET NUMBER

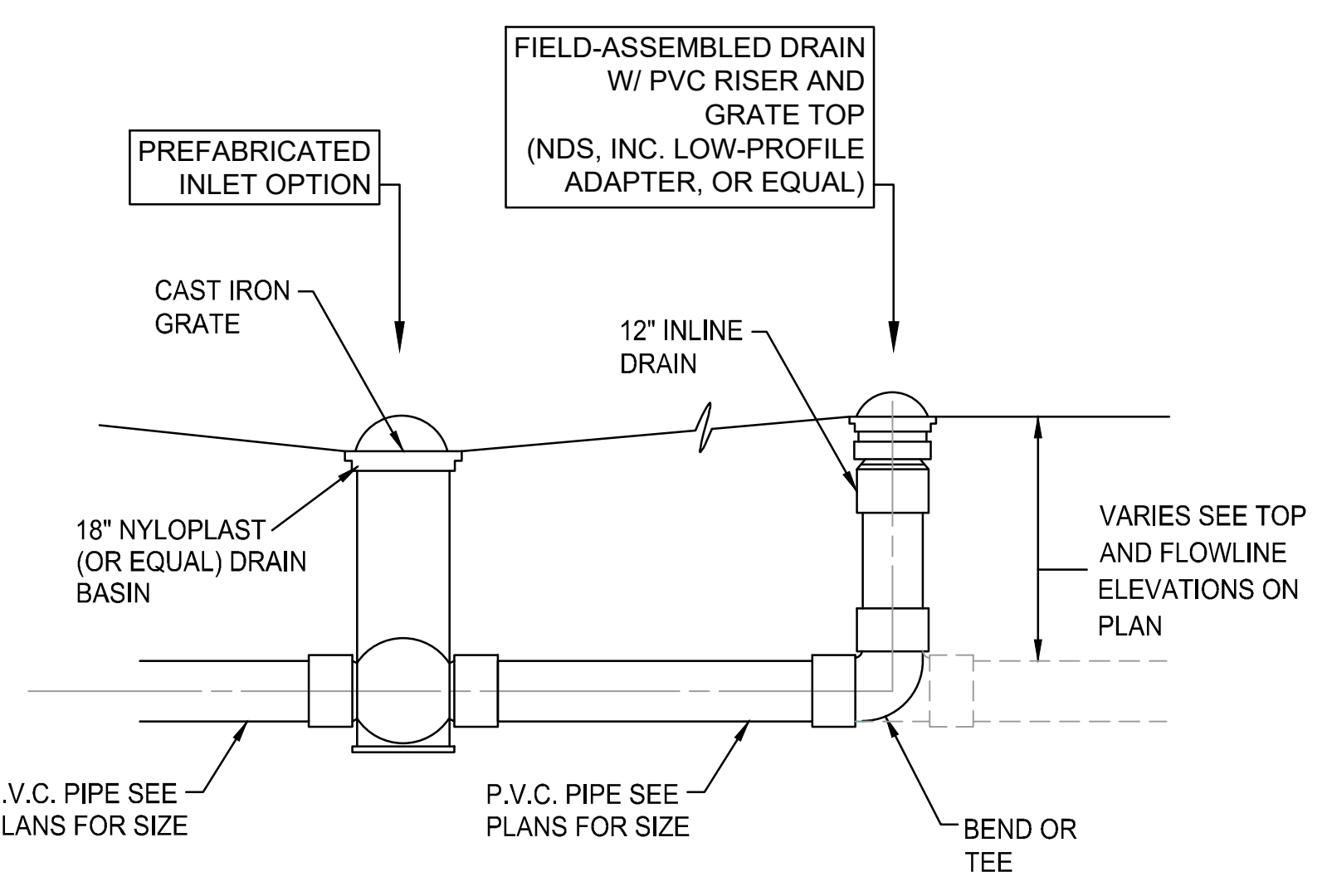


DRAINAGE STONE:
 MIXTURE OF NATURAL OR CRUSHED GRAVEL, OR CRUSHED STONE AND NATURAL SAND; ASTM D 448; COARSE-AGGREGATE GRADING SIZE 67; WITH 100 PERCENT PASSING A 1-INCH (25-MM) SIEVE AND 0 TO 5 PERCENT PASSING A NO. 4 (4.75-MM) SIEVE.

PERMEABLE, LOAMY SOIL MEDIA:
 OVER EXCAVATE 2' BELOW POND BOTTOM AND REPLACE WITH LOAMY, PERMEABLE SOIL IN BOTTOM OF THE POND. PERMEABLE SOIL SHALL BE USDA HYDROLOGIC SOIL GROUP A OR B (SANDY LOAM OR LOAMY SAND). INFILTRATION RATE SHALL BE 1 TO 2 INCHES PER HOUR. PROVIDE MATERIAL DATA SHEET TO ENGINEER FOR APPROVAL PRIOR TO INSTALLATION.

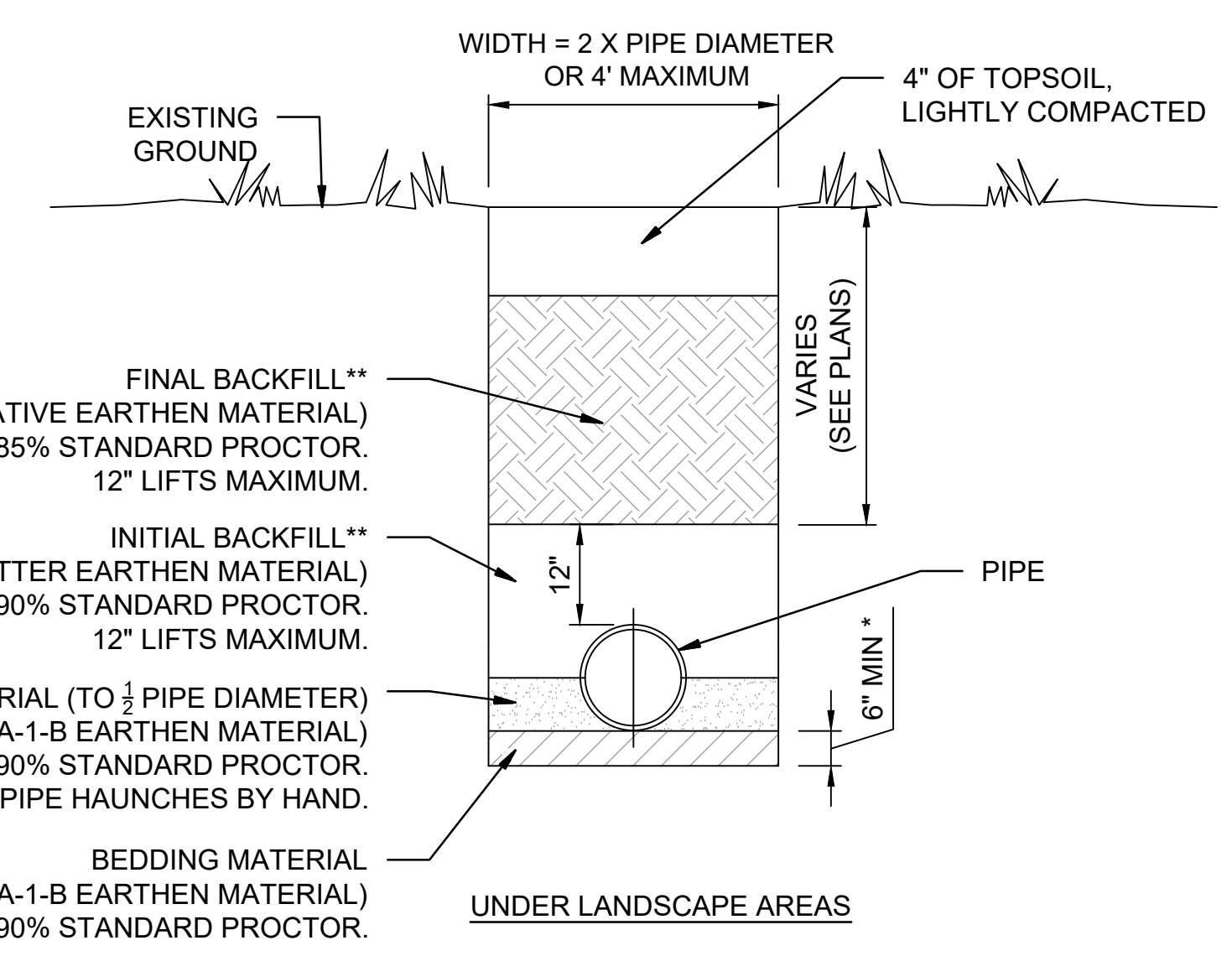
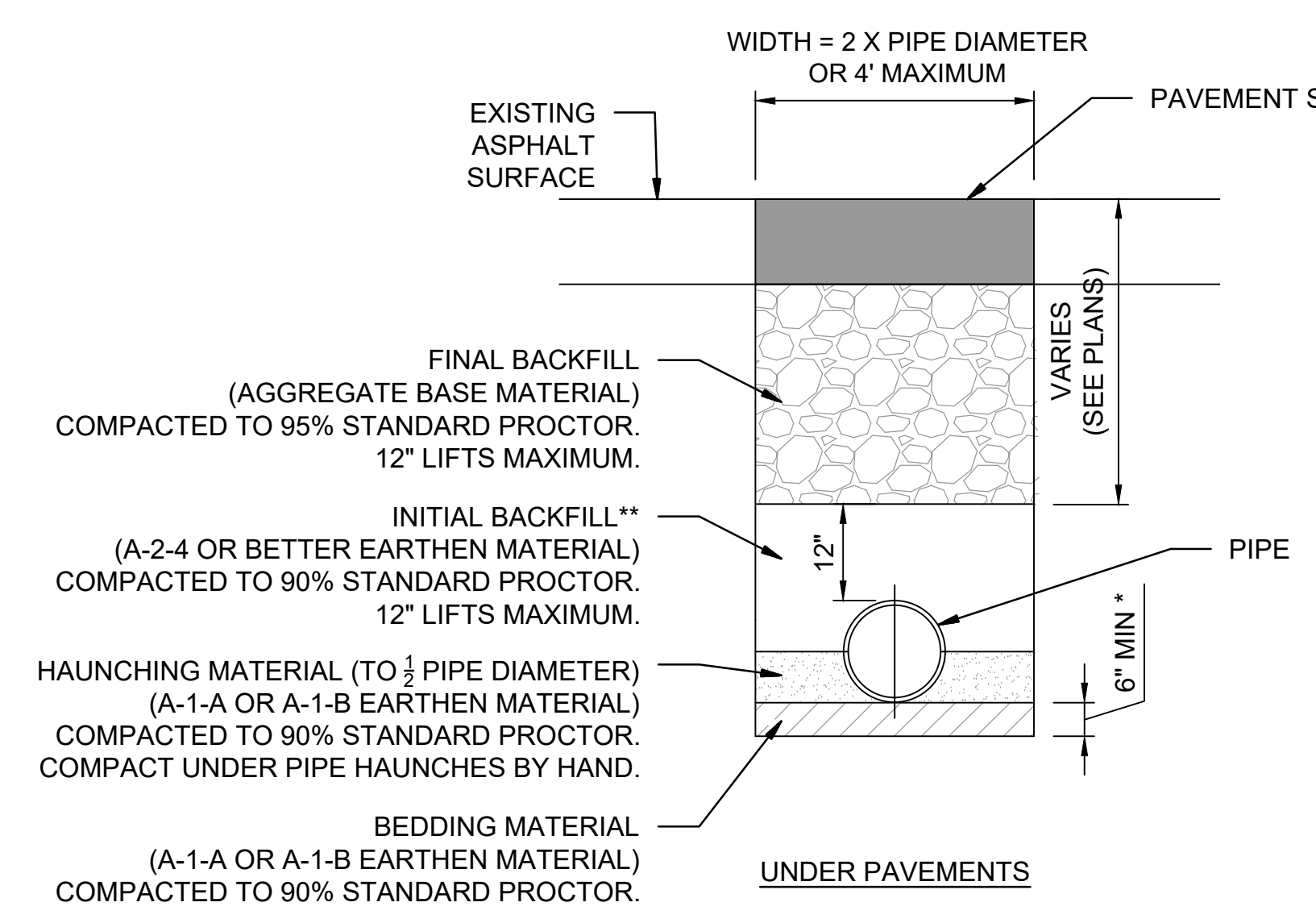
GRADING NOTES:
 1. REFER TO SHEET C-201 FOR GRADING INFORMATION.
 2. REFER TO SHEET C-201 FOR UNDER DRAIN AND LAYOUT COORDINATES FOR RAIN GARDEN.

1 RAIN GARDEN CROSS SECTION
 SCALE: NONE



- STORM DRAIN PIPE TO BE MIN. 4" SCHEDULE 40 PERFORATED PVC PIPE. REFER TO SHEET C-201 FOR SIZING AND LAYOUT.
- DRAIN BASINS TO BE PREFABRICATED PVC BASINS WITH DOMED CAST IRON GRATES (AS MFGD. BY NYLOPLAST, INC. OR APPROVED EQUAL).
- CONNECTION OF DISSIMILAR PIPE MATERIALS SHALL BE MADE WITH ADAPTERS MADE FOR THAT PURPOSE.
- PRECAST CONCRETE INLETS MAY BE USED AT CONTRACTORS OPTION WITH ENGINEER'S APPROVAL OF SHOP DRAWINGS.

2 NYLOPLAST AREA DRAIN
 SCALE: NONE



3 TYPICAL STORM PIPE EMBEDMENT DETAIL
 SCALE: NONE

File: L:\2023\23F00200 - Edgemoor Park Plaza Repairs\Drawings\EDGPK-C-501.dwg Last Saved by: B. Gillespie
 Last Plotted by: Thomas, Brent D. Plot Style: AEC.ctb Plot Date: 11/21/2023 12:07 PM Plotter used: AutoCAD PDF (General Documentation).pc3