

STATE	PROJECT NO.	YEAR	SHEET NO.	TOTAL SHEETS
KANSAS	472-84435	2007	43	97

GENERAL NOTES

UNIT STRESSES: Grade 4.0 Concrete; $f'c = 4,000$ p.s.i.
Reinforcing Steel; $f_y = 60,000$ p.s.i.

CONCRETE: Grade 4.0 Concrete shall be used throughout. Bevel all exposed edges with a $\frac{3}{4}$ inch triangular moulding.

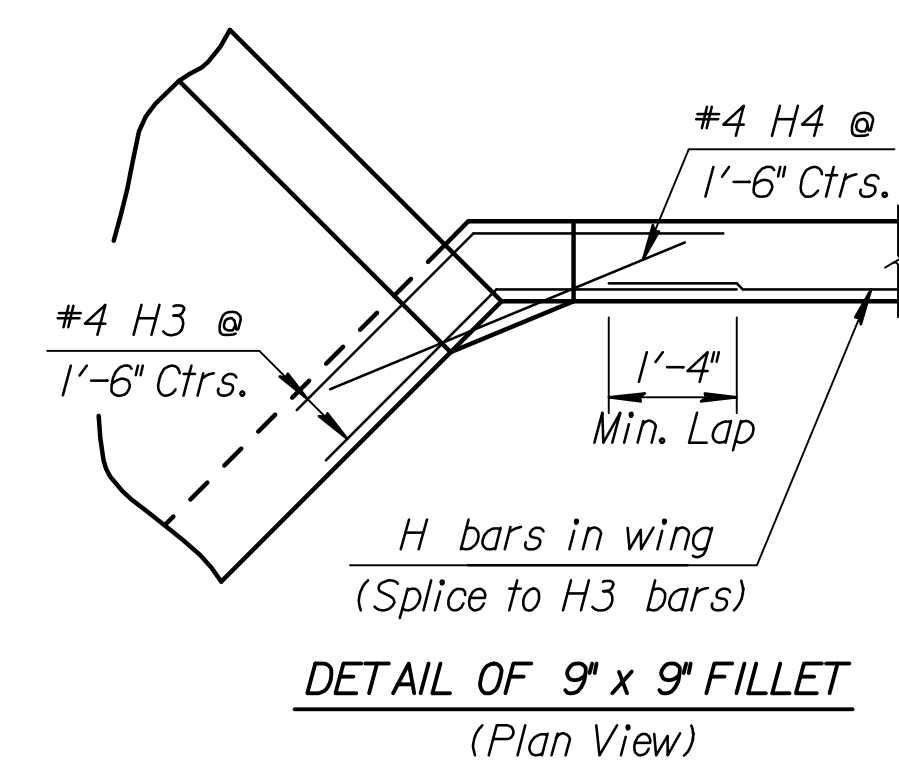
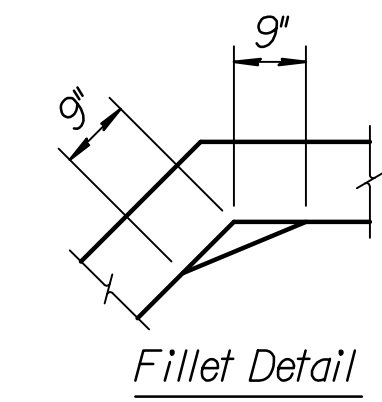
REINFORCING: All reinforcing shall conform to ASTM A615, Grade 60. Welded Wire Fabric shall conform to ASTM A185. All dimensions relative to reinforcing steel shall be to center-line of bar unless otherwise noted.

QUANTITIES: Wingwall Quantities include all quantities outside the neat lines of the box, excluding the hubguard.

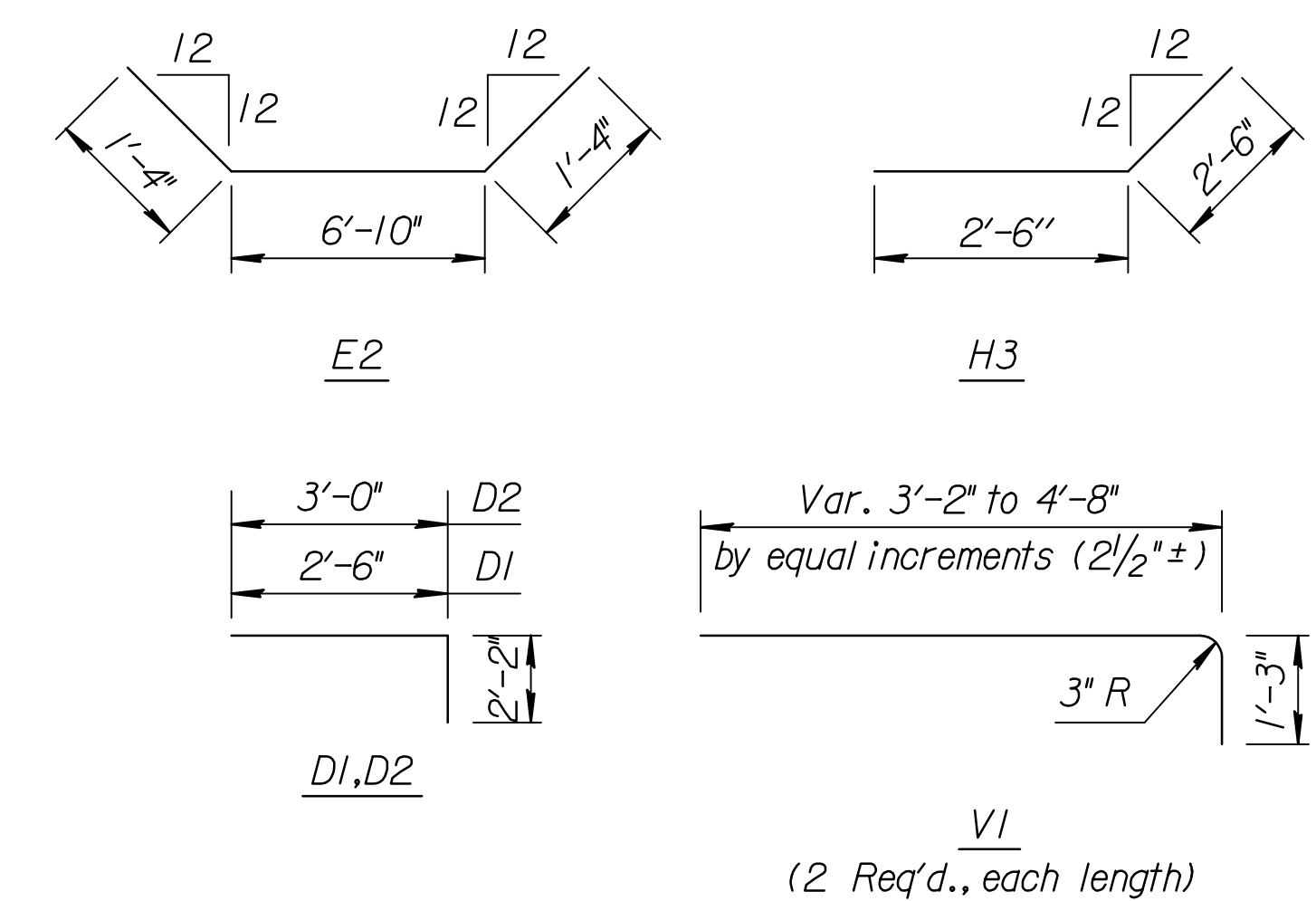
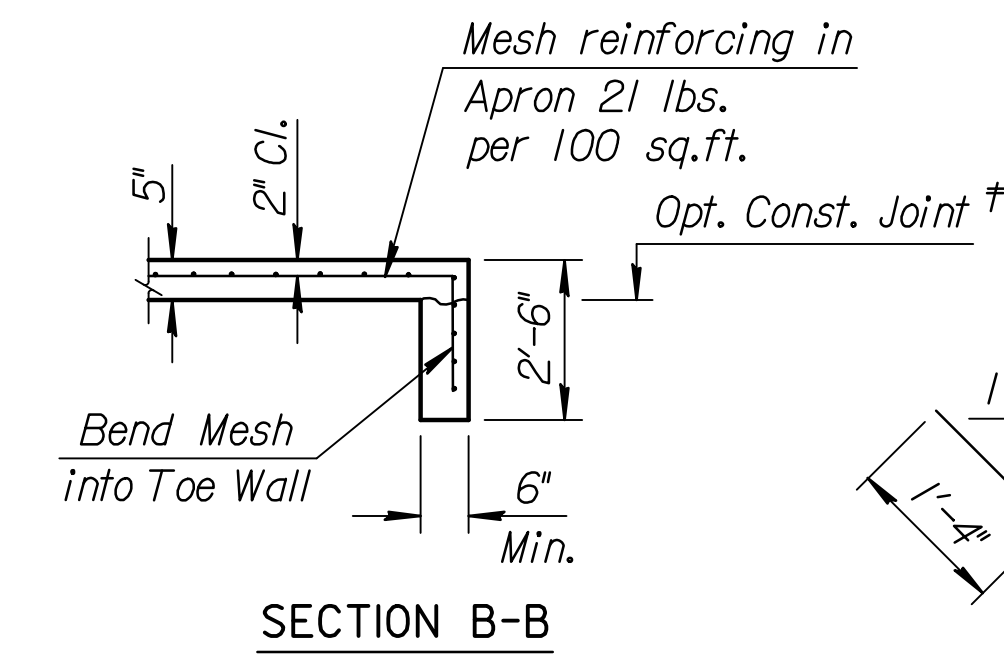
APRON: A 5" concrete slab shall be constructed between the downstream wings in locations subject to scour only when specified on the plans or by the Engineer. Wire Reinforcing mesh shall be electrically welded and shall be composed of 6 x 6-W1.4 x W1.4 welded wire fabric and shall be classified as pounds of reinforcing and included in the total quantity for the bid item Reinforcing Steel (Gr. 60)

BACKFILL MATERIAL: Soils judged as high plasticity clays, fat clays, expansive clays, or organic clays are unsuitable for backfill material for wingwalls and will not be used. Where these conditions exist, use Granular Backfill (Wingwalls).

FOUNDATION STABILIZATION: Use Foundation Stabilization on all wingwalls unless founded on rock or granular material.



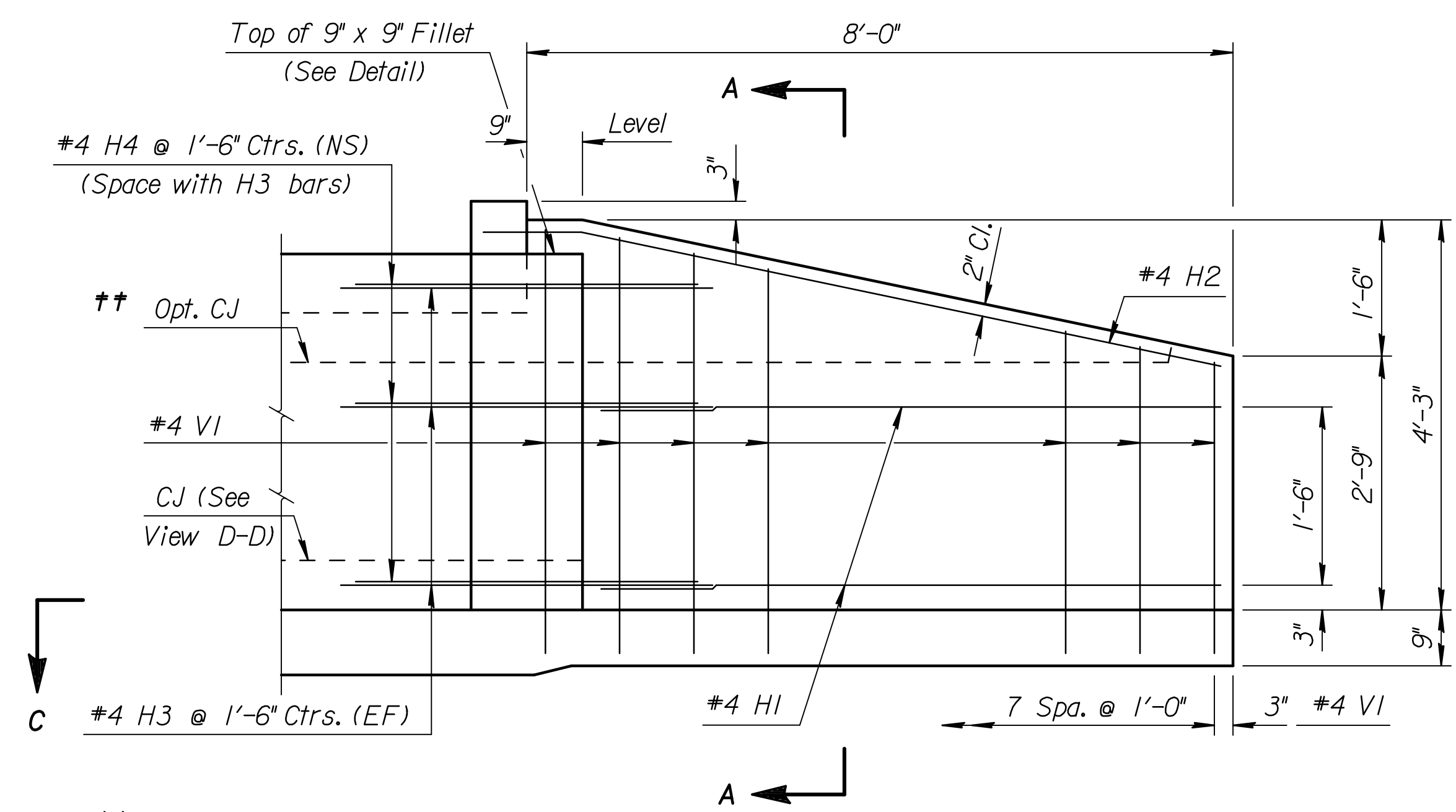
† NOTE: Const. Jt. may be used at Contractor's option when approved by the Engineer. DI bars or mesh may be spliced thus: Minimum overlap shall be 1'-3". No increase in quantities or cost shall be allowed when Contractor elects this option.



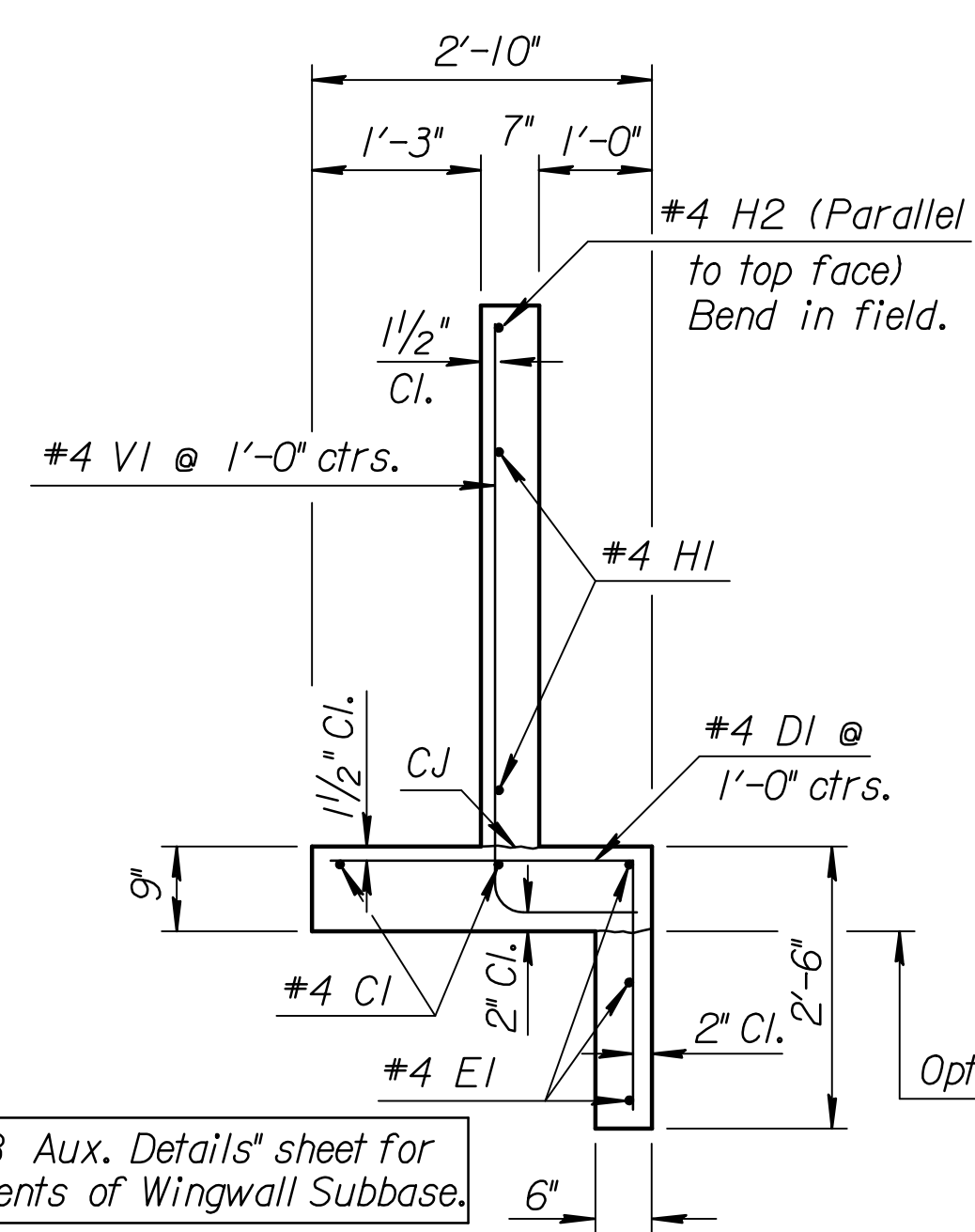
Quantities listed below are included in the Summary of Quantities shown on the RCB details.

WINGWALL QUANTITIES (One End Only)		
	Foundation Stabilization (C.Y.)	Concrete (Gr. 4.0) (C.Y.)
Wingwalls	1.44	3.66
Apron	0.00	0.00
Soil Saver	0.00	0.00
Reinforcing Steel (Gr. 60)		284 Lbs.
Welded Wire Fabric		0 Lbs.

NO.	DATE	REVISIONS	BY	APP'D
KANSAS DEPARTMENT OF TRANSPORTATION				
Sta. 108+00.00				
FLARED WINGWALLS 3 ft Rise (O'SKEW)				
BR 10.00.03			Sedgwick Co.	
DESIGNED	DATE	APP'D	QUANTITIES	TRACED
DESIGN CK.	DETAIL CK.	QUAN. CK.	TRACE CK.	

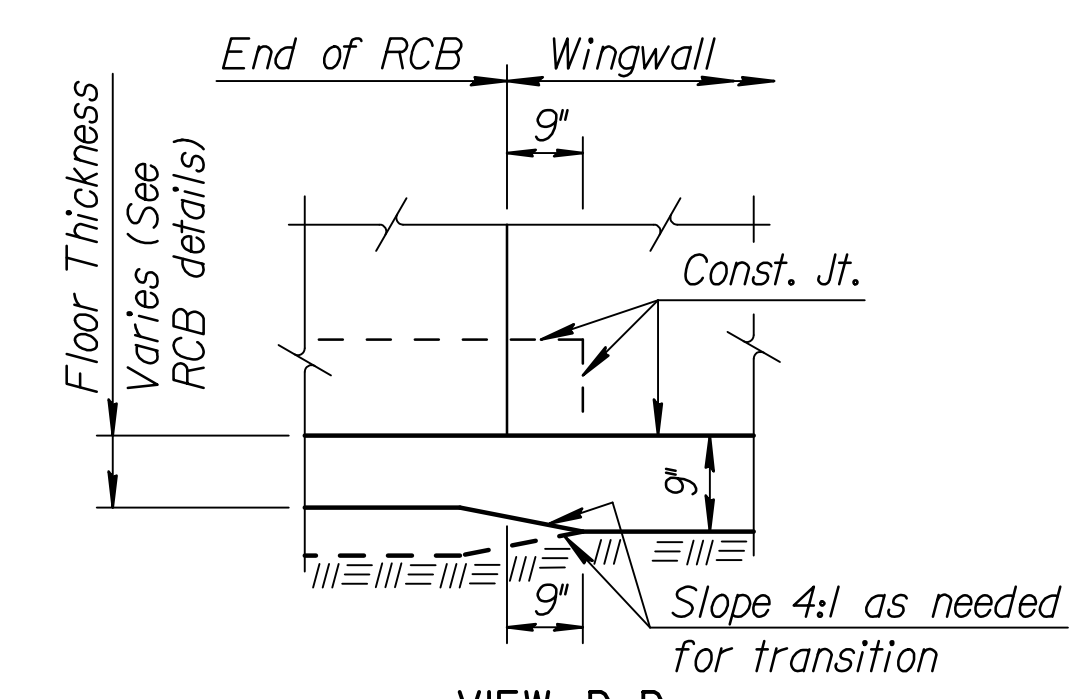


ELEVATION OF WINGWALL
(Backface Shown)

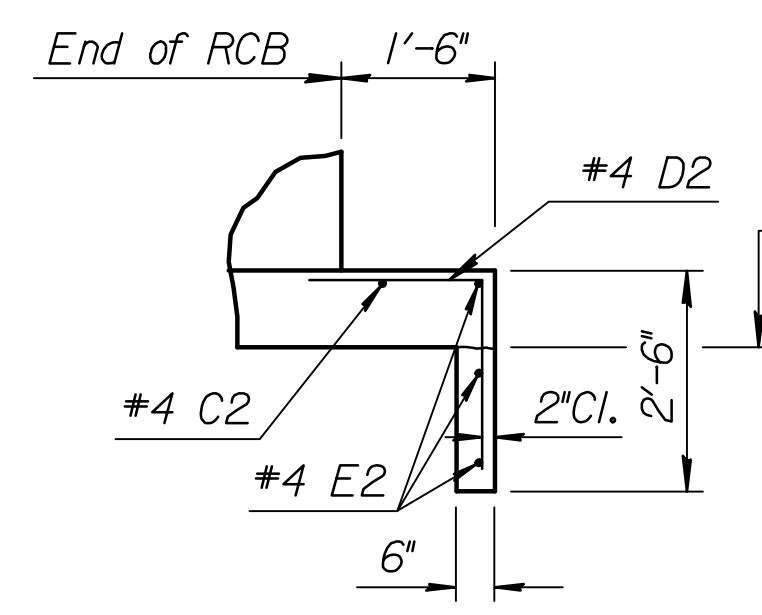


SECTION A-A

See "RCB Aux. Details" sheet for requirements of Wingwall Subbase.

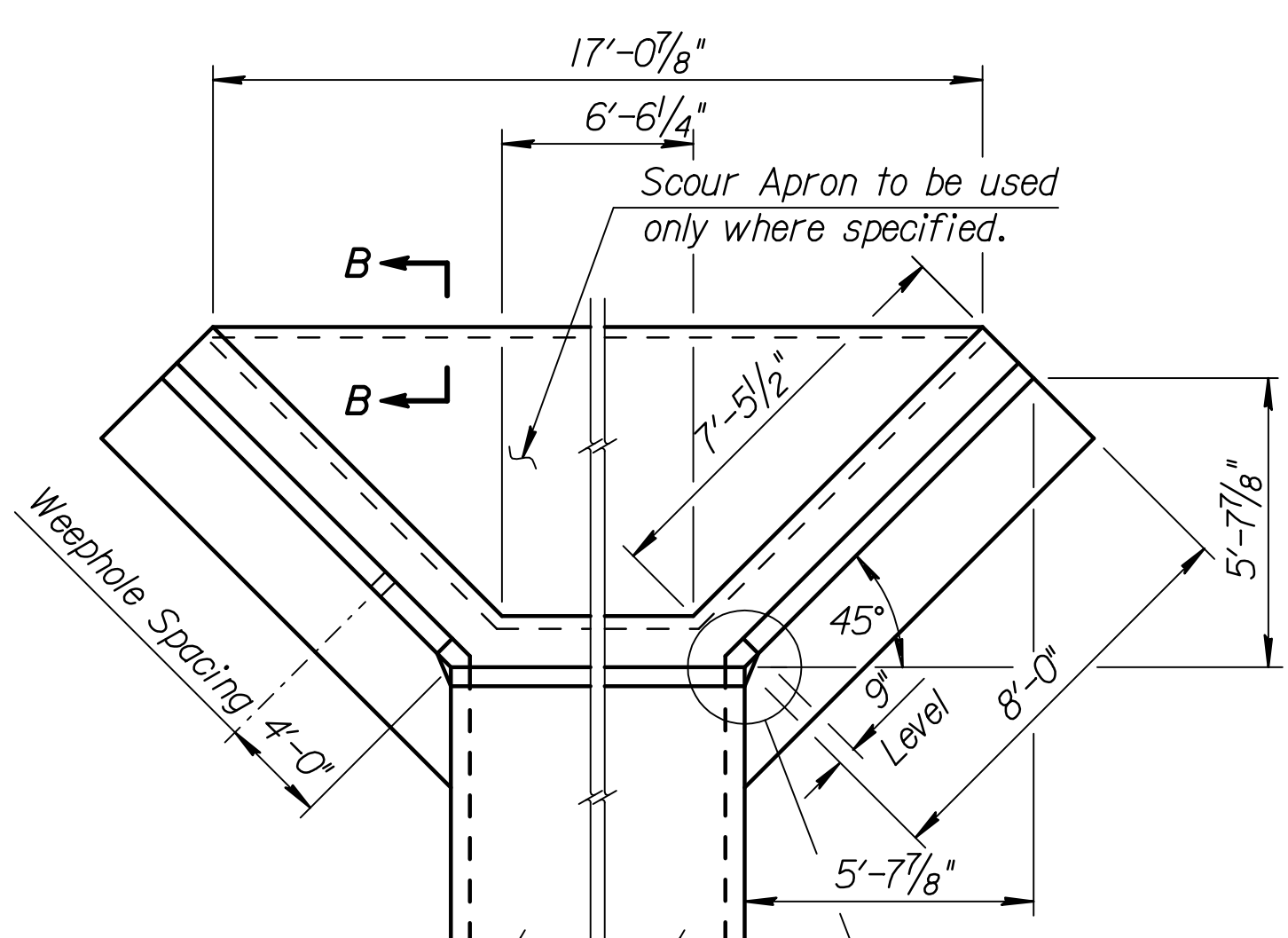


VIEW D-D



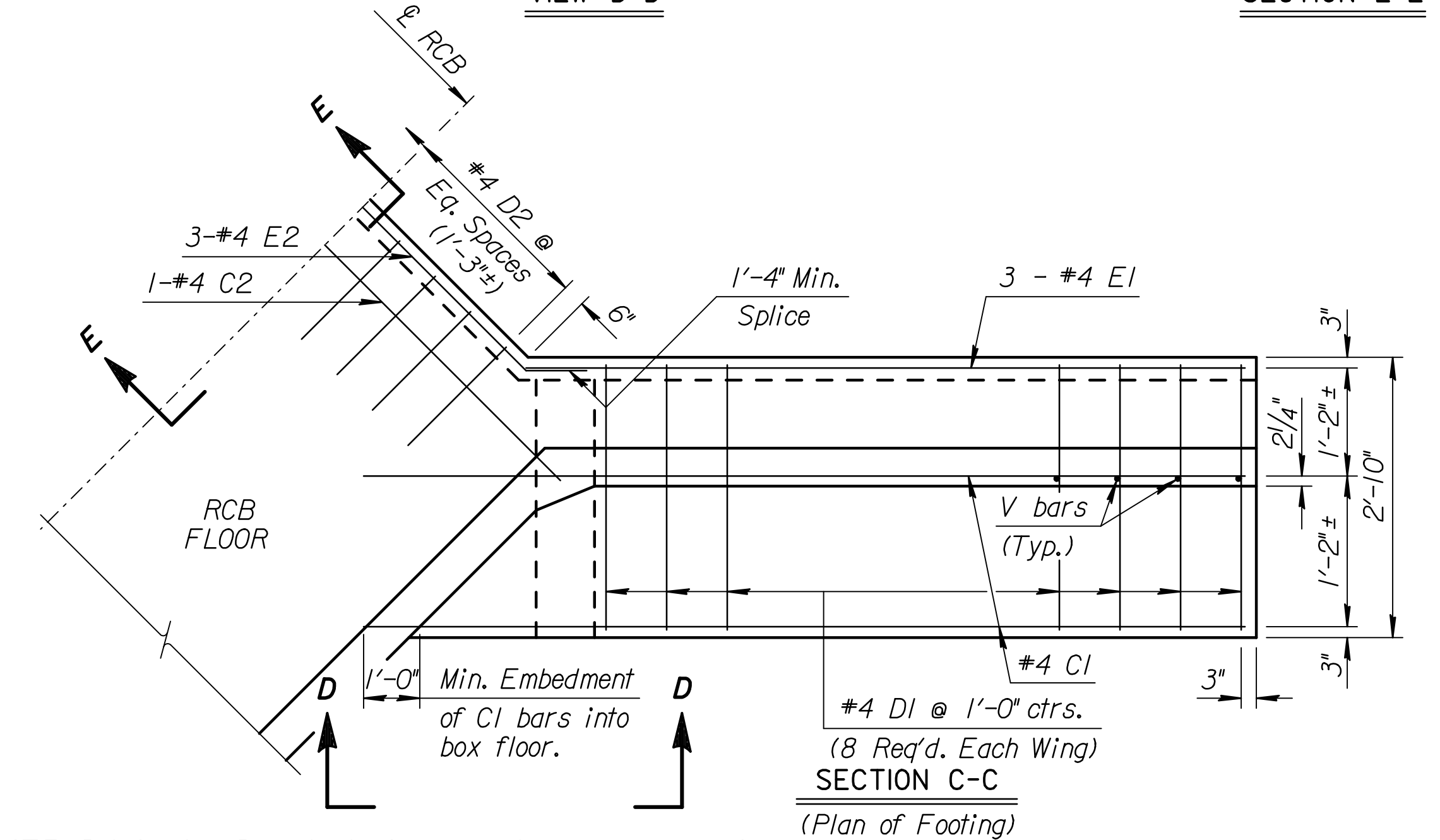
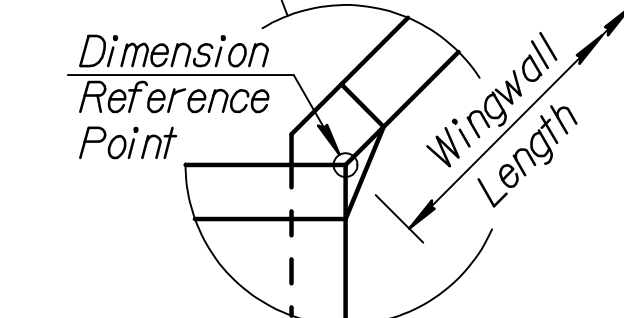
SECTION E-E

NOTE:
EF = Each Face
NS = Near Side
FS = Far Side
CJ = Const. Joint



WING DIMENSIONS FOR NORMAL BOX
(3/2:1 Embankment Slope)

NOTE: Space weepholes to clear reinforcing steel. See "RCB Aux. Details" sheet for additional weephole details.



SECTION C-C
(Plan of Footing)

NOTE: Reinforcing Bar List is for both wings at one end of box only.

0° Skew	#4 Reinforcing Bars																					
	No.	Length	No.	Length	No.	Length	No.	Length	No.	Length	No.	Length										
	4	9'-10"	16*	4'-8"	6	7'-3"	1	7'-8"	5*	5'-2"	3*	9'-6"	16	*	16	4	6'-10"	2	8'-9"	12*	6	3'-0"

* See Bending Diagram

Plotted By: unfiled
 File: J:\SEMENT\OUT\2006\0647\12007-6-4 Final Plans to COM\DWG\43-0647\1-7x3RCB-108+00.dgn
 Plot Date: 6/5/2007