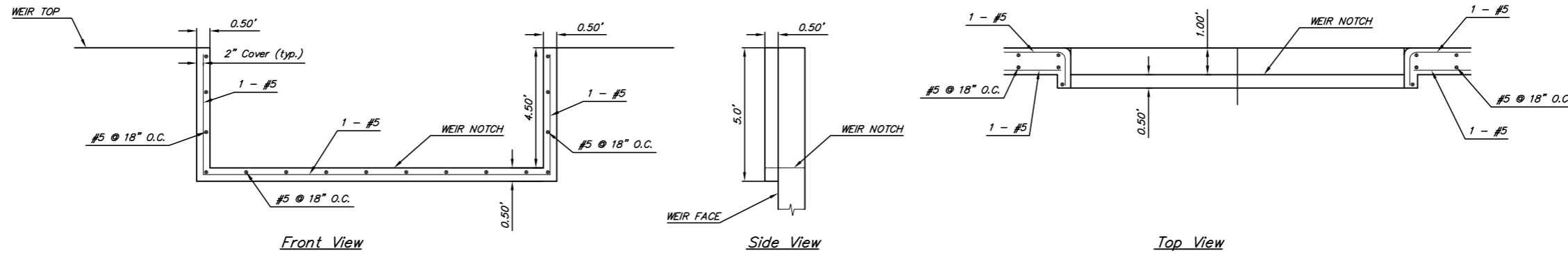
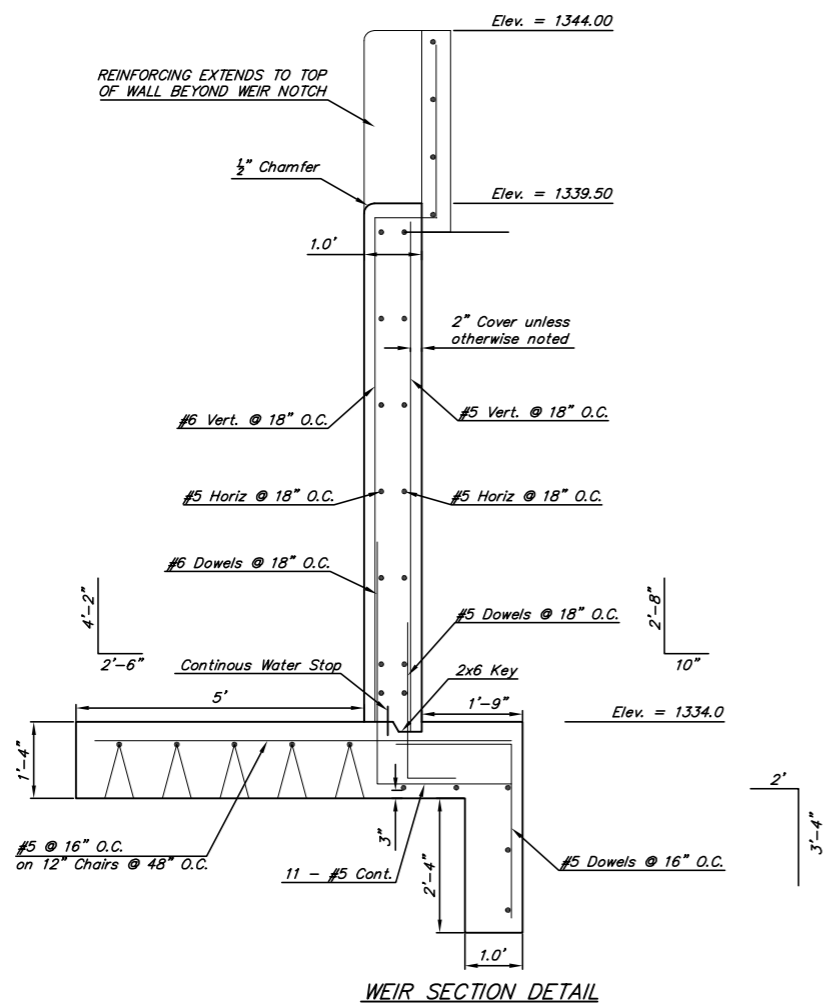


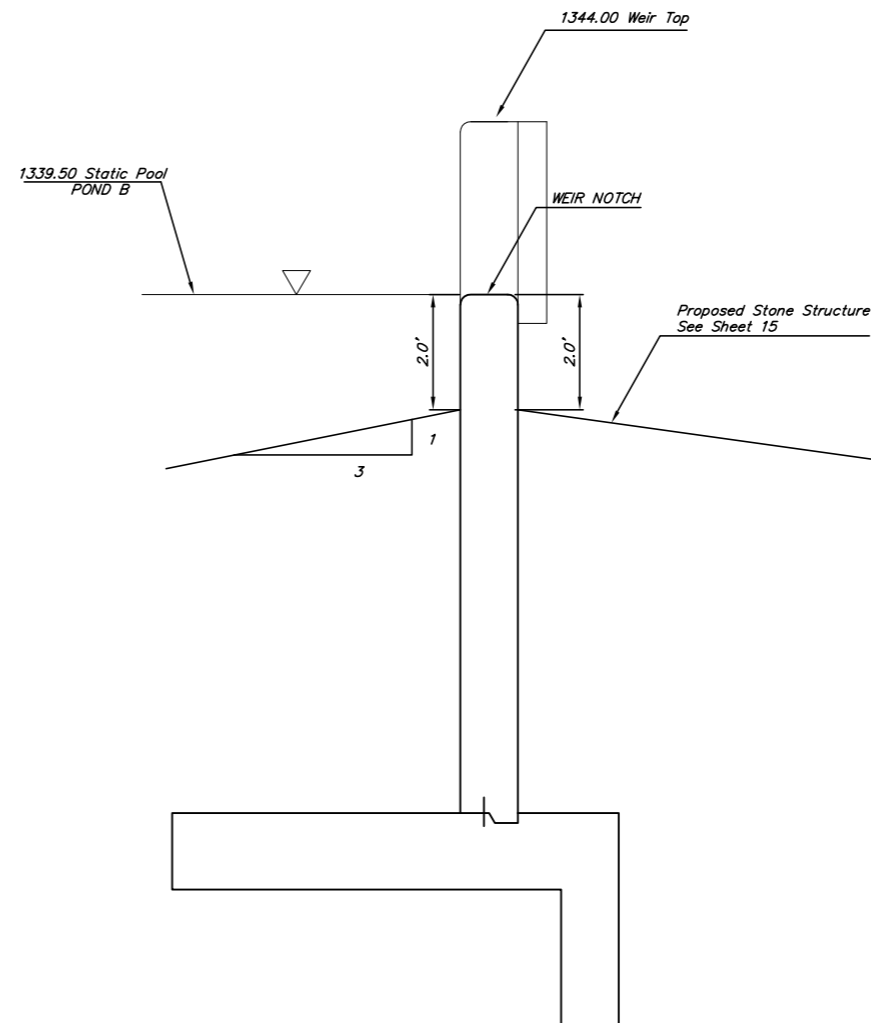
SECTION GRADING DETAIL




WEIR NOTCH DETAILS



WEIR SECTION DETAIL



SECTION GRADING DETAIL

<b>CASA BELLA ADDITION POND B &amp; C OUTLET WEIR DETAILS WICHITA, KANSAS</b>			
	<b>Ruggles &amp; Bohm, P.A.</b> Engineering, Surveying, Land Planning		DESIGN EJG
	924 North Main Wichita, Kansas 67203 www.rbkansas.com		(316) 264-8008 (316) 264-4821 fax E-mail: info@rbkansas.com
DRAWING FILE Weir {weir wall}	PROJECT NUMBER SWD #276	DATE Nov. 14, 2005	SHEET 14 of 32