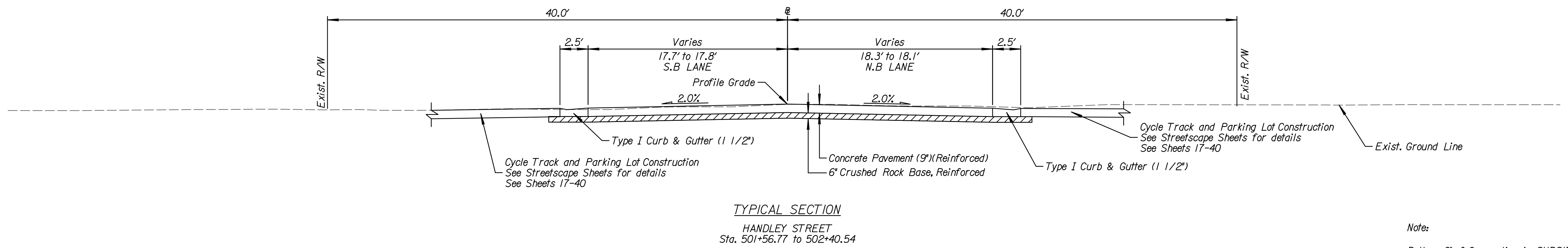
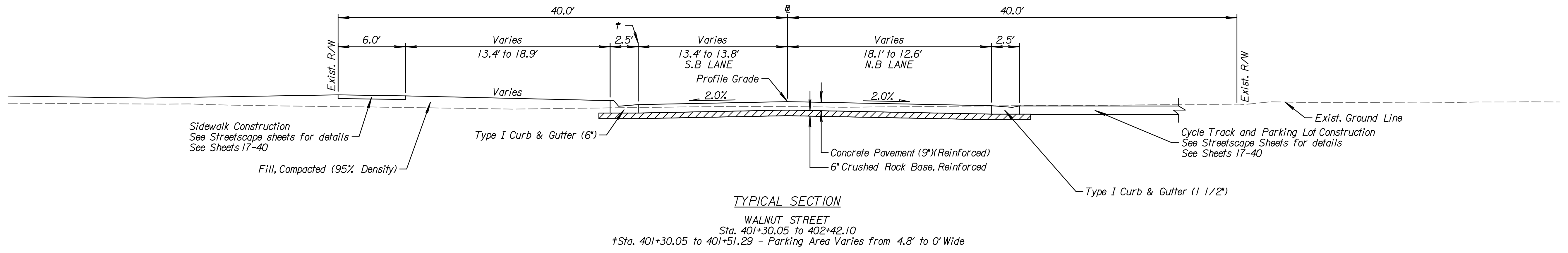
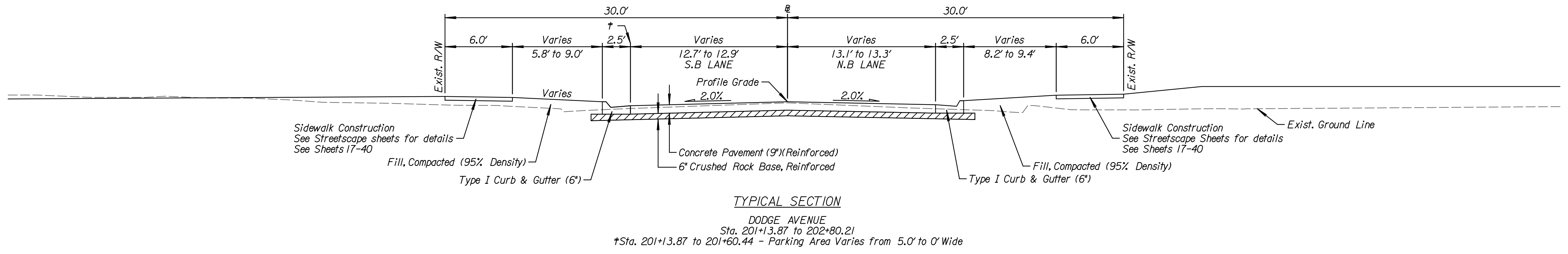
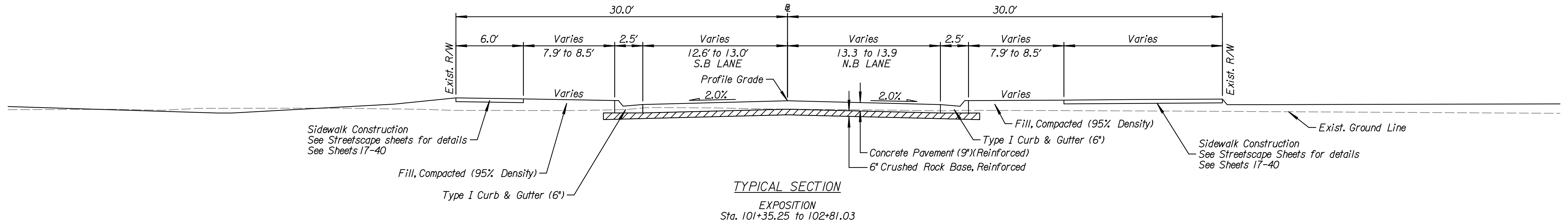


REVISIONS:	MARK	DATE	DESCRIPTION

PROJ NO: 472-85462
 SCALE: N.T.S.
 DATE: 11/1/2022
 DESIGNED BY: MCG
 DRAWN BY: MCG
 CHECKED BY: MDB

SHEET TITLE:
**DELANO GREENWAY
 TYPICAL SECTIONS**

SHEET NO.
7
 SHEET 7 OF 96



Note:
 Bottom 6" of Compaction is SUBSIDIARY. This includes but not limited to the compaction under the crushed rock based and curb & gutter.