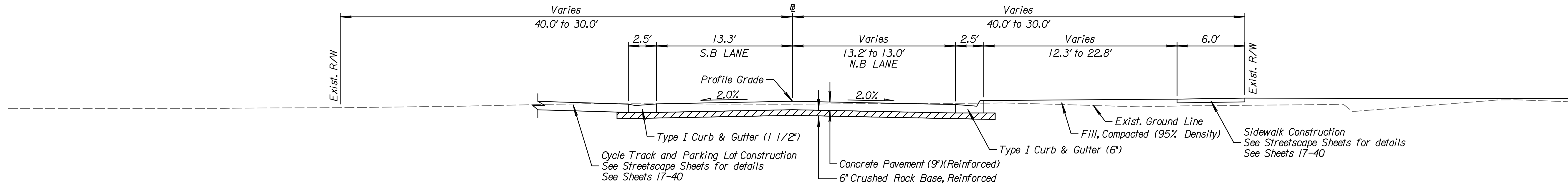


REVISIONS:	MARK	DATE	DESCRIPTION

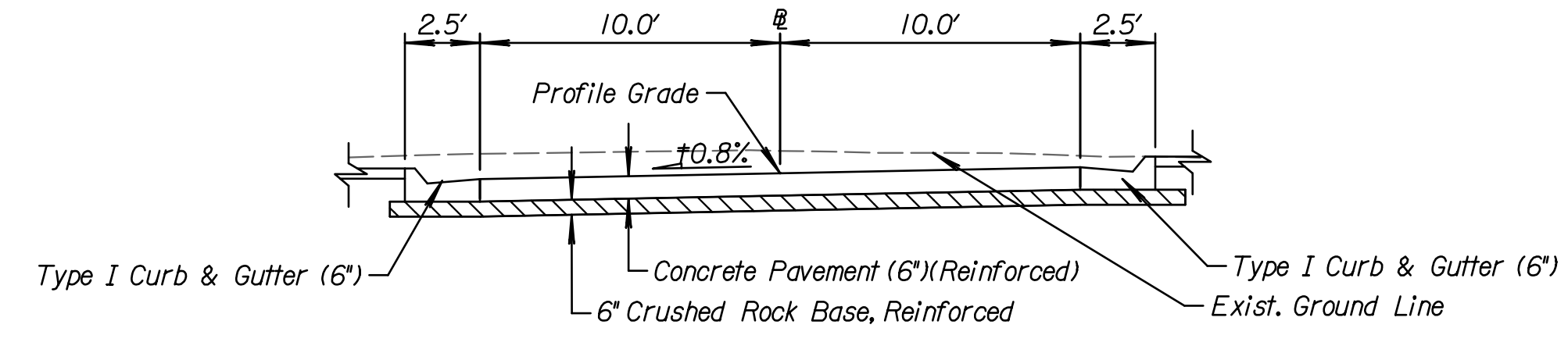
PROJ NO: 472-85462  
SCALE: N.T.S.  
DATE: 11/1/2022  
DESIGNED BY: MCG  
DRAWN BY: MCG  
CHECKED BY: MDB

SHEET TITLE:  
**DELANO GREENWAY  
TYPICAL SECTIONS**

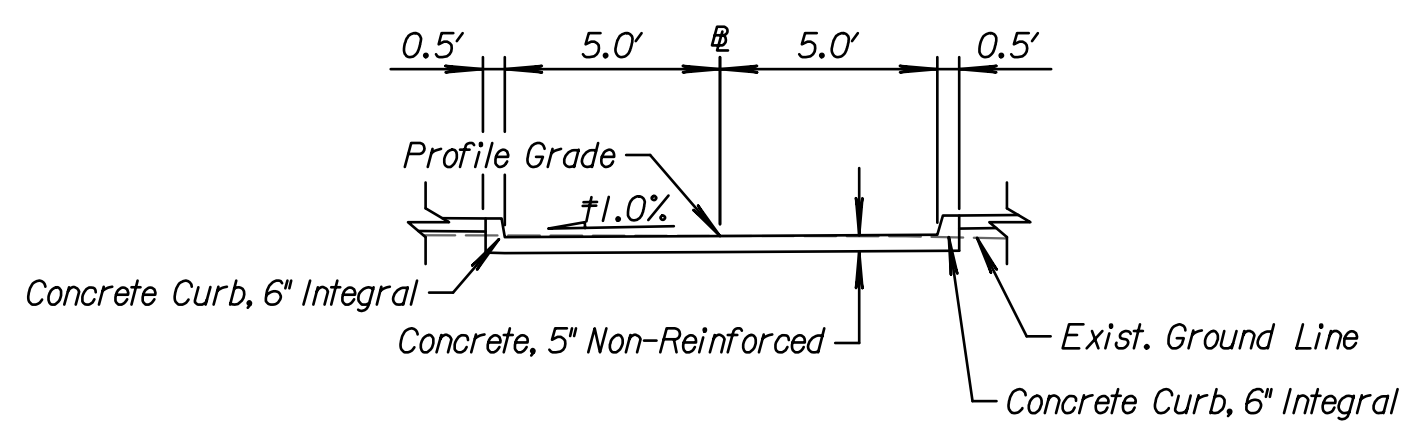
SHEET NO.  
**8**  
SHEET 8 OF 96



**TYPICAL SECTION**  
OSAGE STREET  
Sta. 601+28.91 to 602+55.99



**TYPICAL SECTION**  
ROADWAY THROUGH PARKING AREAS  
Sta. 100+00.00 to 106+44.14  
\*Slope Direction Varies



**TYPICAL SECTION**  
CYCLE TRACK  
Sta. 10+00.00 to Sta. 25+12.05  
\*Slope Direction Varies

**Note:**  
Bottom 6" of Compaction is SUBSIDIARY. This includes but not limited to the compaction under the crushed rock based and curb & gutter.