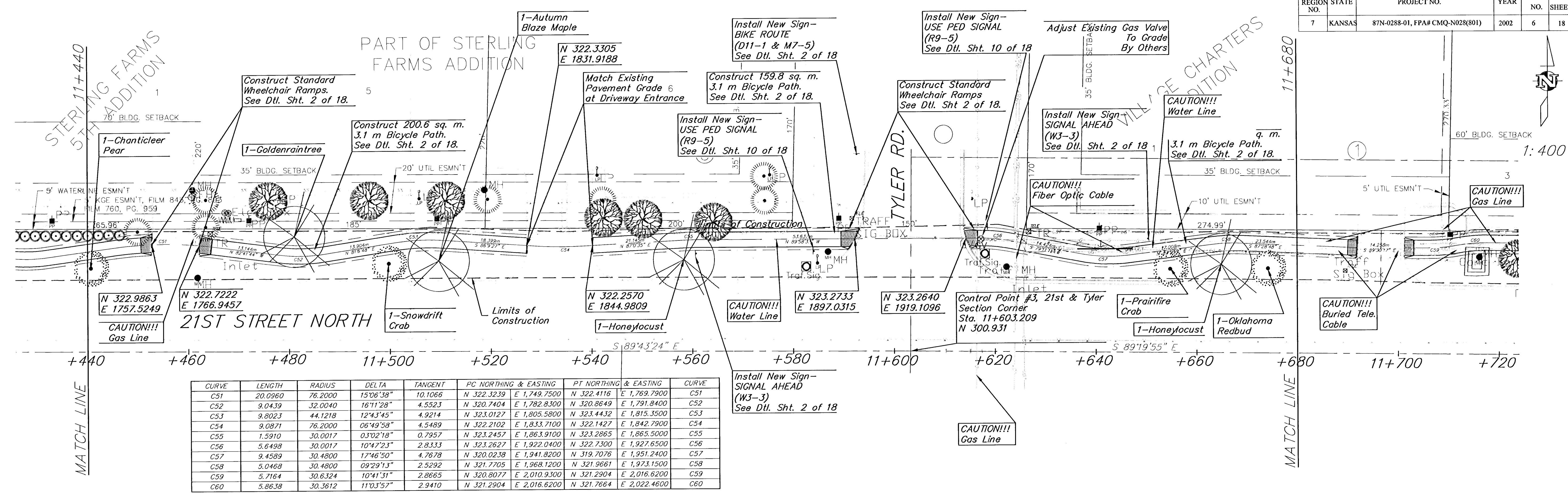
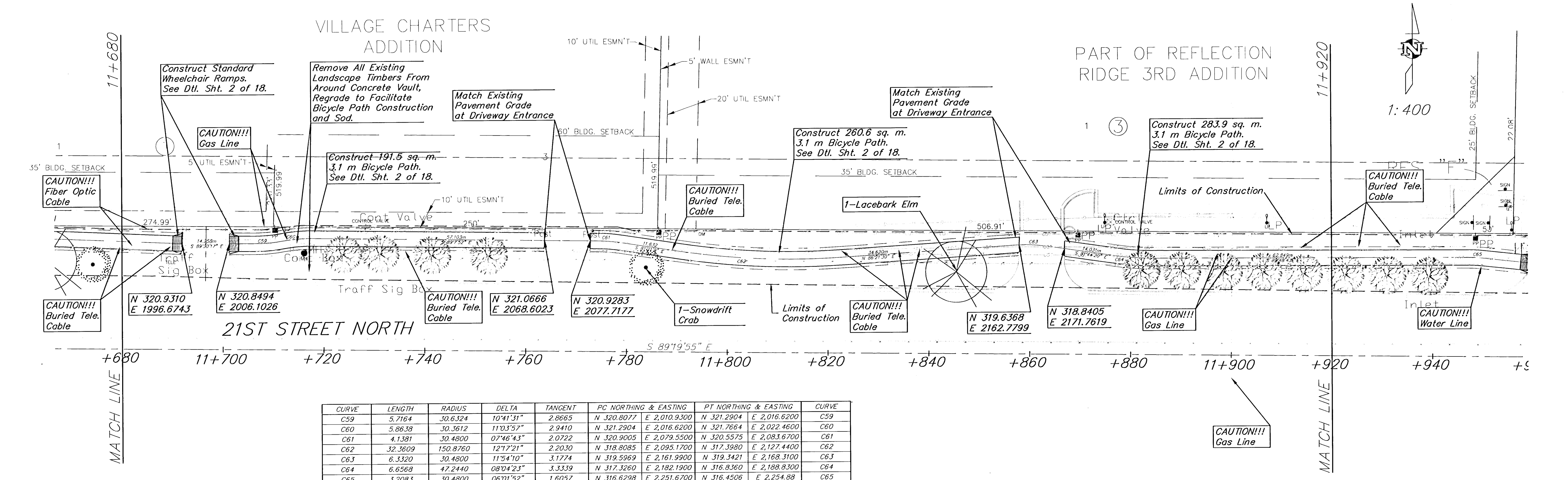


FHWA REGION NO.	STATE	PROJECT NO.	YEAR	SHEET NO.	TOTAL SHEETS
7	KANSAS	87N-0288-01, FPA# CMQ-N028(801)	2002	6	18



CURVE	LENGTH	RADIUS	DELTA	TANGENT	PC NORTHING & EASTING	PT NORTHING & EASTING	CURVE
C51	20.0960	76.2000	15°06'38"	10.1066	N 322.3239 E 1,749.7500	N 322.4116 E 1,769.7900	C51
C52	9.0439	32.0040	16°11'28"	4.5523	N 320.7404 E 1,782.8300	N 320.8649 E 1,791.8400	C52
C53	9.8023	44.1218	12°43'45"	4.9214	N 323.0127 E 1,805.5800	N 323.4432 E 1,815.3500	C53
C54	9.0871	76.2000	06°49'58"	4.5489	N 322.2102 E 1,833.7100	N 322.1427 E 1,842.7900	C54
C55	1.5910	30.0017	03°02'18"	0.7957	N 323.2457 E 1,863.9100	N 323.2865 E 1,865.5000	C55
C56	5.6498	30.0017	10°47'23"	2.8333	N 323.2627 E 1,922.0400	N 322.7300 E 1,927.6500	C56
C57	9.4589	30.4800	17°46'50"	4.7678	N 320.0238 E 1,941.8200	N 319.7076 E 1,951.2400	C57
C58	5.0468	30.4800	09°29'13"	2.5292	N 321.7705 E 1,968.1200	N 321.9667 E 1,973.1500	C58
C59	5.7164	30.6324	10°41'31"	2.8665	N 320.8077 E 2,010.9300	N 321.2904 E 2,016.6200	C59
C60	5.8638	30.3612	11°03'57"	2.9410	N 321.2904 E 2,016.6200	N 321.7664 E 2,022.4600	C60



CURVE	LENGTH	RADIUS	DELTA	TANGENT	PC NORTHING & EASTING	PT NORTHING & EASTING	CURVE
C59	5.7164	30.6324	10°41'31"	2.8665	N 320.8077 E 2,010.9300	N 321.2904 E 2,016.6200	C59
C60	5.8638	30.3612	11°03'57"	2.9410	N 321.2904 E 2,016.6200	N 321.7664 E 2,022.4600	C60
C61	4.1381	30.4800	07°46'43"	2.0722	N 320.9005 E 2,079.5500	N 320.5575 E 2,083.6700	C61
C62	32.3609	150.8760	127°17'21"	2.2030	N 318.8085 E 2,095.1700	N 317.3980 E 2,127.4400	C62
C63	6.3320	30.4800	11°54'10"	3.1774	N 319.5969 E 2,161.9900	N 319.3421 E 2,168.3100	C63
C64	6.6568	47.2440	08°04'23"	3.3339	N 317.3260 E 2,182.1900	N 316.8360 E 2,188.8300	C64
C65	3.2083	30.4800	06°01'52"	1.6057	N 316.6298 E 2,251.6700	N 316.4506 E 2,254.88	C65

	PROJECT NUMBER		DATE		SHEET	
	DESIGN	DRAWN	FILE	DATE	SCALE	NO.
11+440 TO 11+920 WICHITA, KANSAS				1:400		6 OF 18