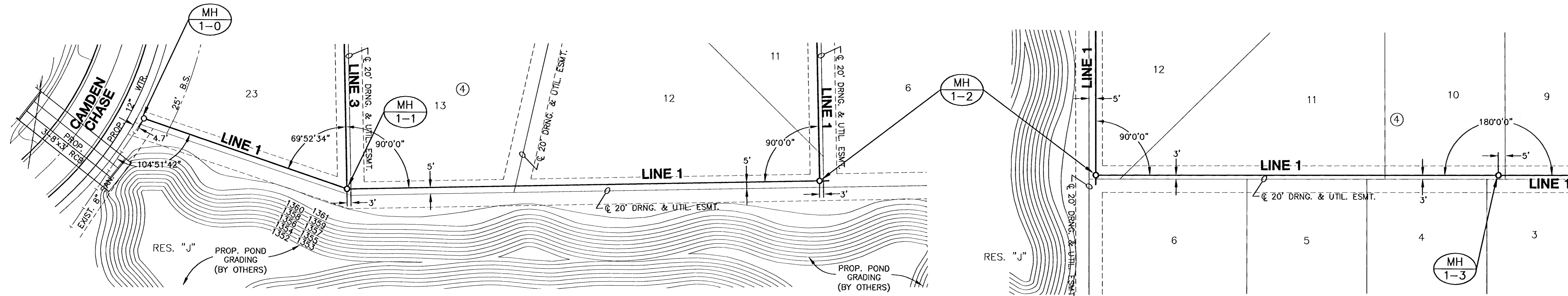


**HAWTHORNE THIRD ADDITION  
PHASE 1 SANITARY SEWER  
LINE 1**

HAWTHORNE THIRD ADDITION



HAWTHORNE THIRD ADDITION

**PLAN LINE 1**

SCALE: 1"=40'

- NOTES:**  
1. TRENCHES TO BE BACKFILLED WITH SAND AND FLUSHED WHEN SEWER LINE RUNS ALONG FRONT OF LOTS.

☒ = TREE REMOVAL

**PROFILE LINE 1**

SCALE: HORIZ. 1"=40'  
SCALE: VERT. 1"=5'

