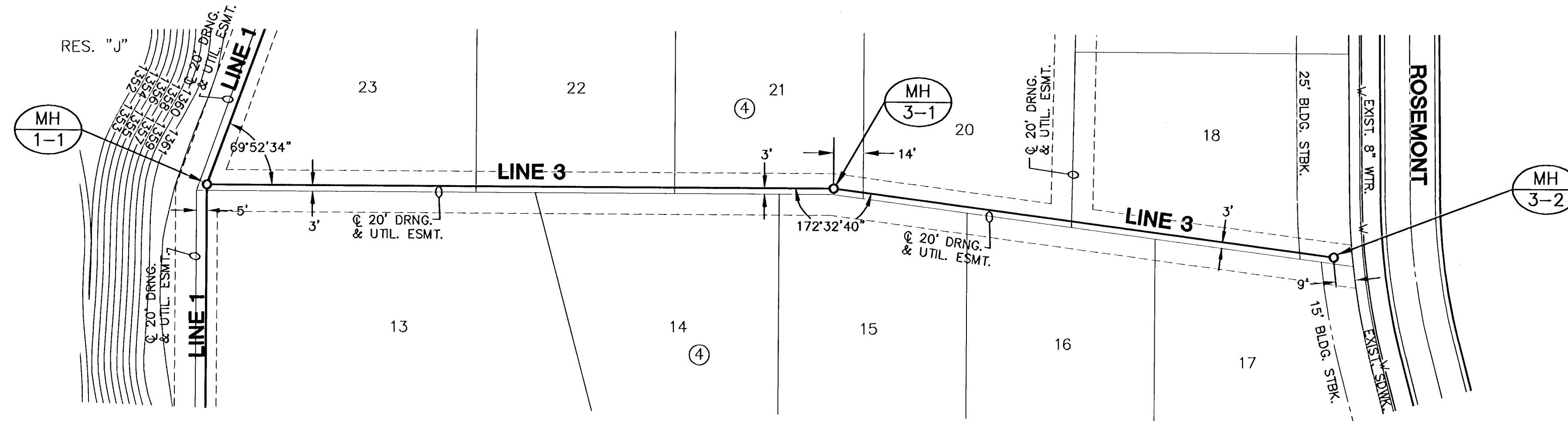
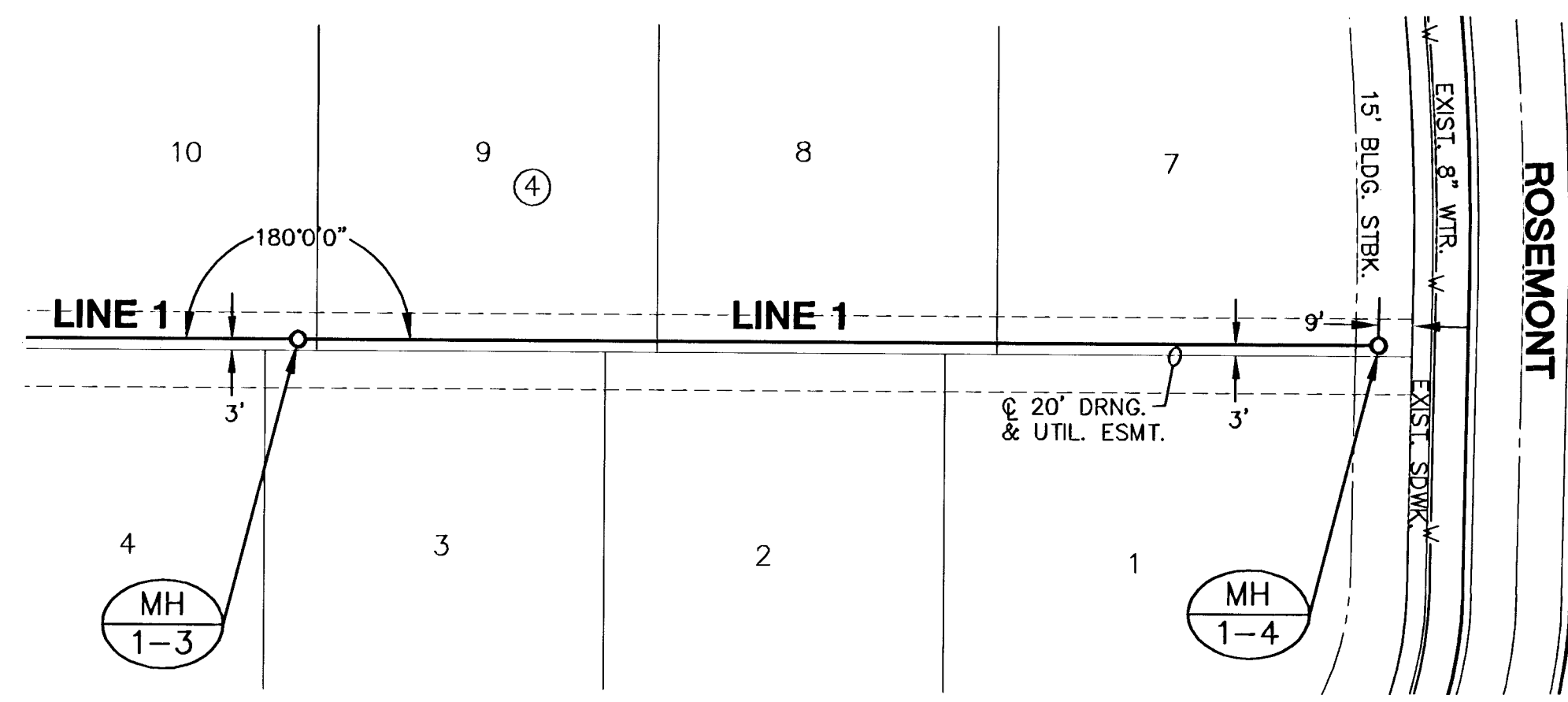


**HAWTHORNE THIRD ADDITION
PHASE 1 SANITARY SEWER
LINES 1 & 3**

HAWTHORNE THIRD ADDITION

HAWTHORNE THIRD ADDITION



HAWTHORNE THIRD ADDITION

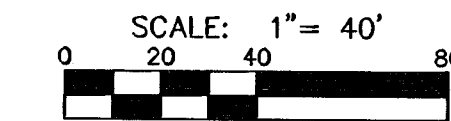
HAWTHORNE THIRD ADDITION

NOTES:
1. TRENCHES TO BE BACKFILLED WITH SAND AND FLUSHED WHEN SEWER LINE RUNS ALONG FRONT OF LOTS.

☒ = TREE REMOVAL

PLAN LINE 1
SCALE: 1"=40'

PLAN LINE 3
SCALE: 1"=40'



PROFILE LINE 1
SCALE: HORIZ. 1"=40'
SCALE: VERT. 1"=5'

PROFILE LINE 3
SCALE: HORIZ. 1"=40'
SCALE: VERT. 1"=5'

