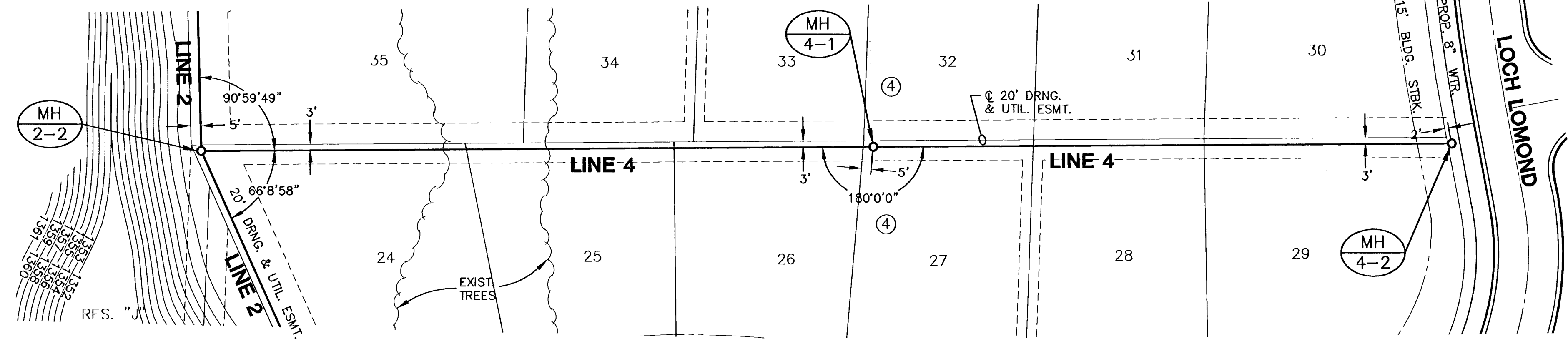
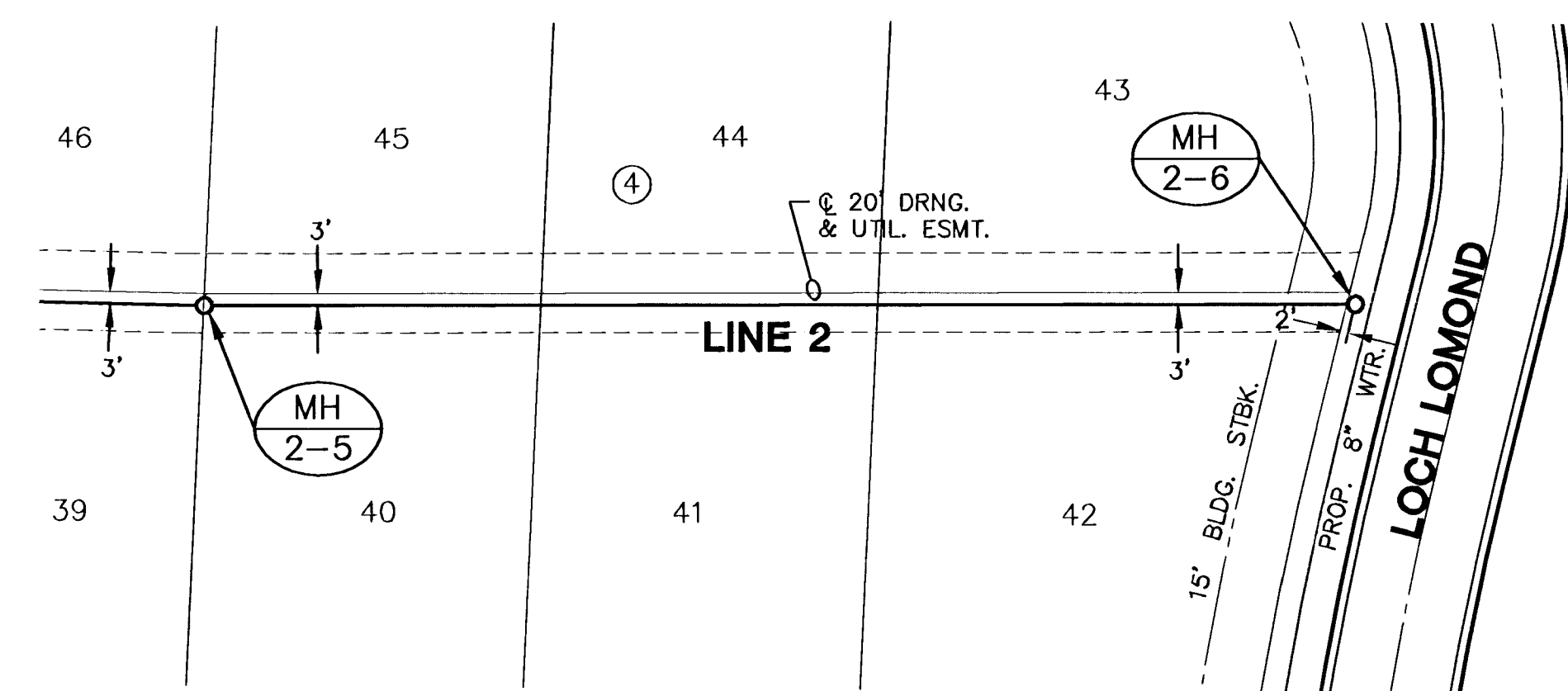


HAWTHORNE THIRD ADDITION

HAWTHORNE THIRD ADDITION



HAWTHORNE THIRD ADDITION

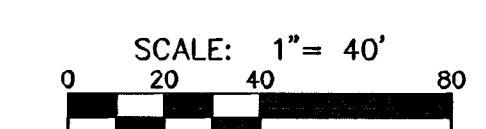
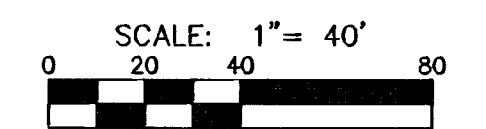
HAWTHORNE THIRD ADDITION

NOTES:
1. TRENCHES TO BE BACKFILLED WITH SAND AND FLUSHED WHEN SEWER LINE RUNS ALONG FRONT OF LOTS.

PLAN LINE 2 (CONT.)
SCALE: 1"=40'

NOTE:
CONTRACTOR TO COORDINATE TREE REMOVAL/TRIMMING WITH ENGINEER/OWNER. NO TREES SHALL BE REMOVED WITHOUT PRIOR APPROVAL BY ENGINEER AND/OR OWNER.

PLAN LINE 4
SCALE: 1"=40'



PROFILE LINE 2 (CONT.)
SCALE: HORIZ. 1"=40'
SCALE: VERT. 1"=5'

PROFILE LINE 4
SCALE: HORIZ. 1"=40'
SCALE: VERT. 1"=5'

