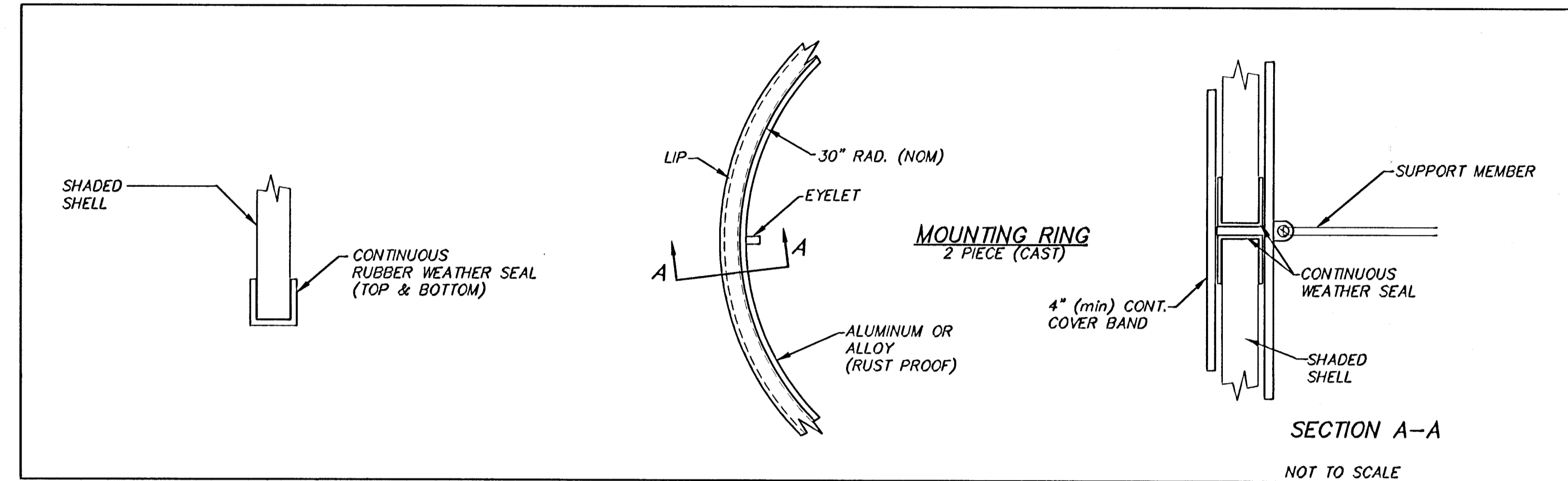
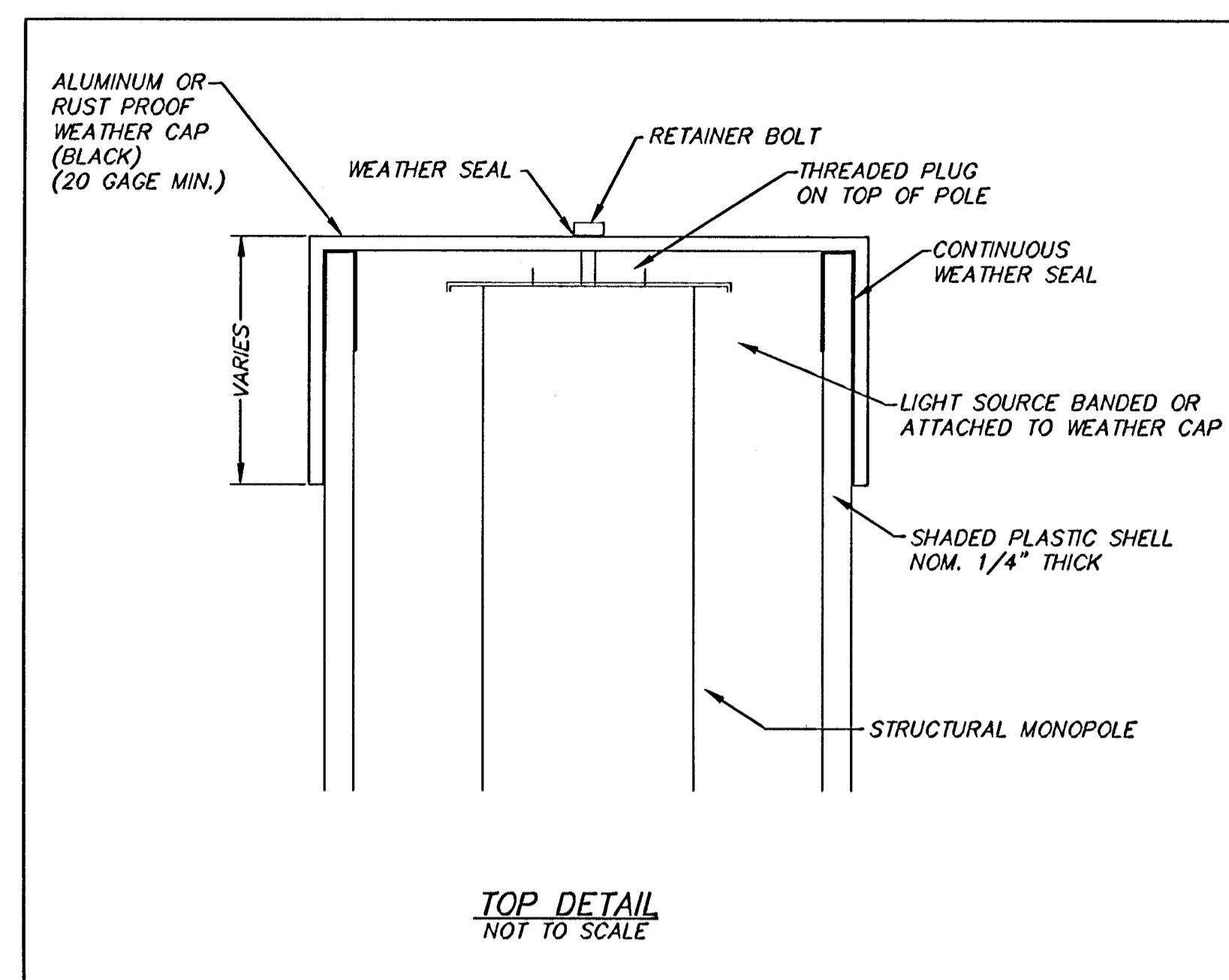
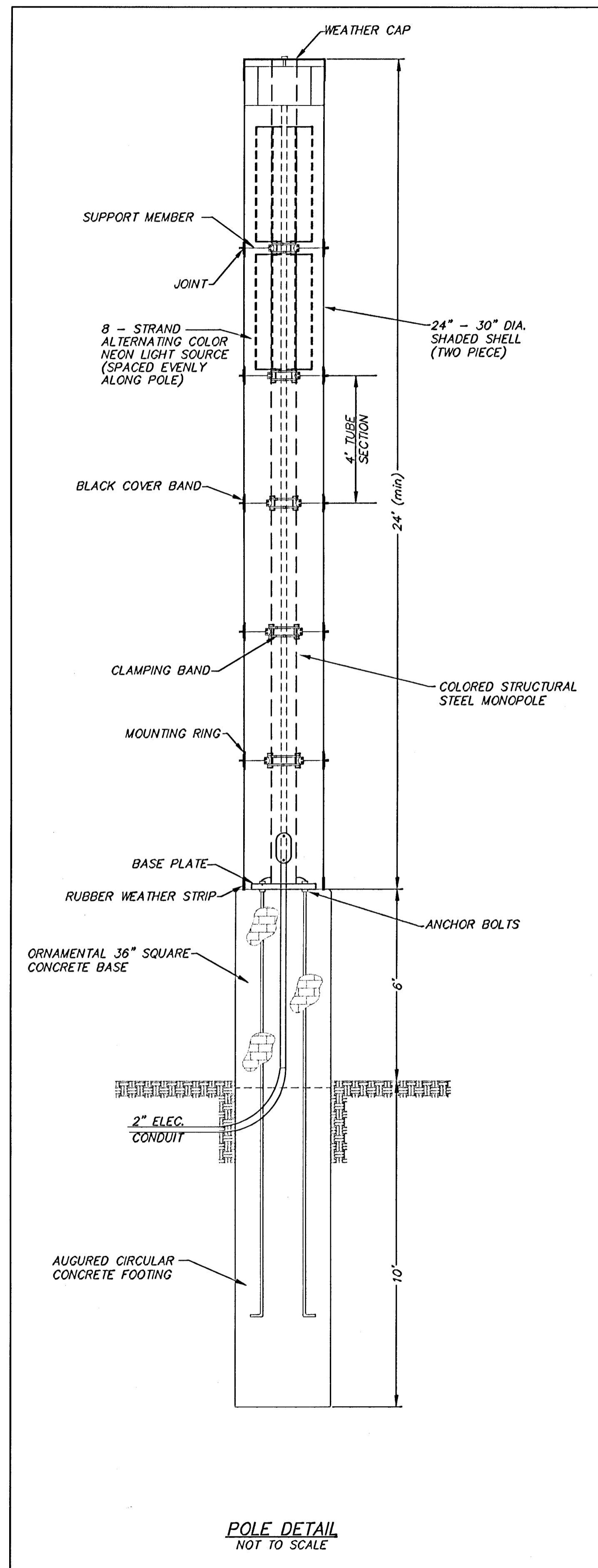
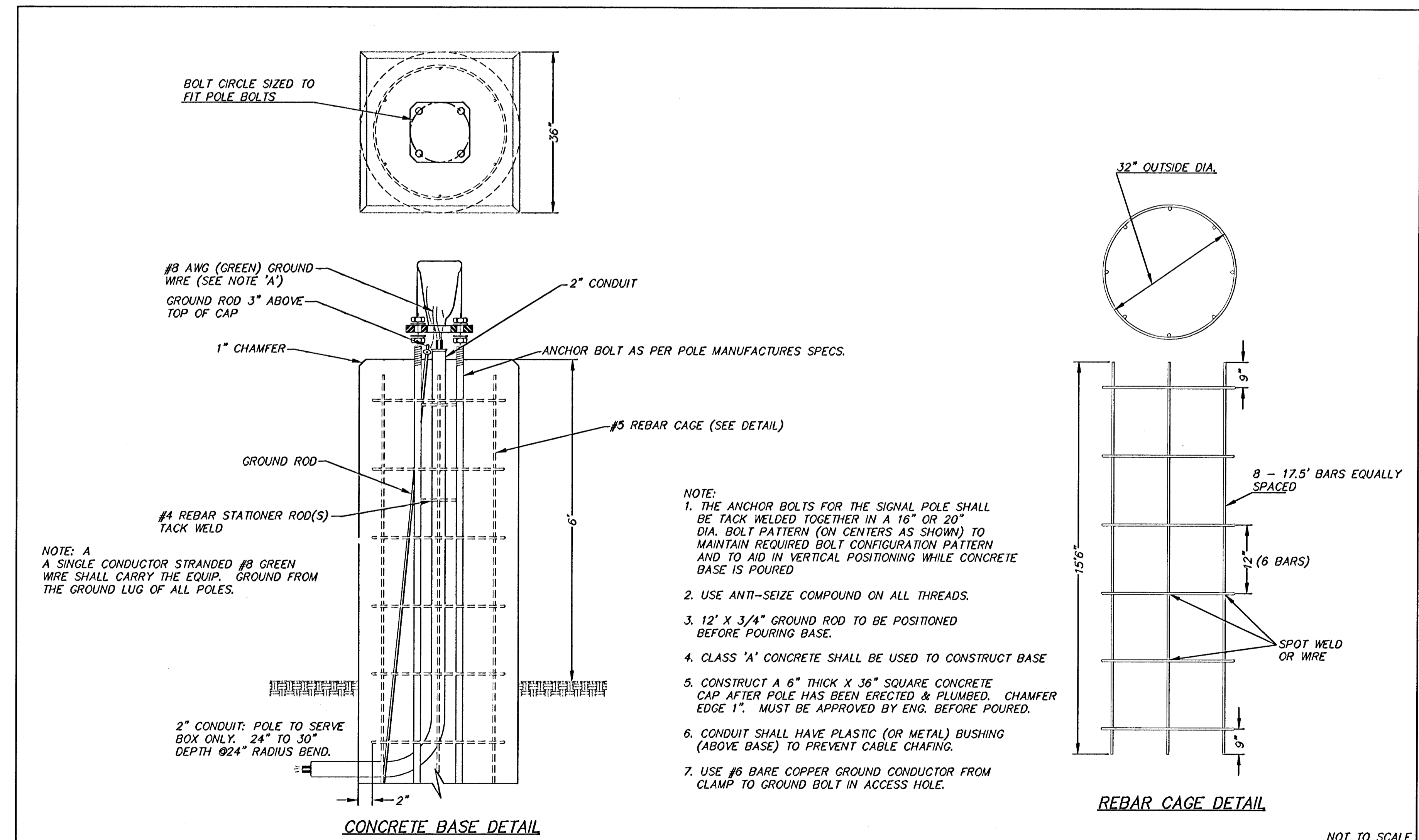


ADD ALTERNATE ARTWORK CENTRAL & McLEAN INTERSECTION LIGHT COLUMNS



NOTES

- NOTE:
1. ALL INTERNAL HARDWARE SHALL BE ALUMINUM OR STAINLESS STEEL CONSTRUCTION. ALL BOLTS, NUTS, WASHERS, AND ETC. REQUIRED FOR MOUNTING SHALL BE OF STAINLESS STEEL MATERIAL.
2. NEON LIGHT COLUMNS TO BE CONSTRUCTED BY LUMINOUS NEON OF HUTCHINSON, KANSAS. CONTACT RON SELLERS OR MARLA ERIKSEN AT LUMINOUS NEON, 1429 W. FOURTH, HUTCHINSON, KANSAS 67504-0916 (316) 662-2363 FOR PRICING.
3. CONTRACTOR SHALL OBTAIN SHOP DRAWINGS FROM MANUFACTURER FOR APPROVAL PRIOR TO FABRICATION OF LIGHT COLUMNS. DRAWINGS SHOWN OTHER THAN BASE DETAILS REPRESENT CONCEPTUAL DESIGN ONLY.



DESIGN	DATE	CITY PROJECT NUMBER	BAUGHMAN PROJECT NUMBER
JFB	DEC 99	472-78-245-82910	98-01-E965
SCALE	NONE	APPROVED	DIRECTOR
KWR		JFB	LMC/INT/DETAILS
			SHEET NAME
			LGHTPLR.DWG

CENTRAL & McLEAN INTERSECTION IMPROVEMENTS
DECORATIVE LIGHT COLUMNS
CAPITAL IMPROVEMENT PROJECT

BAUGHMAN COMPANY P. A.
ENGINEERING, SURVEYING, & PLANNING
316-262-7271 • 315 ELLIS • WICHITA, KANSAS 67211

SHEET
24
OF
40