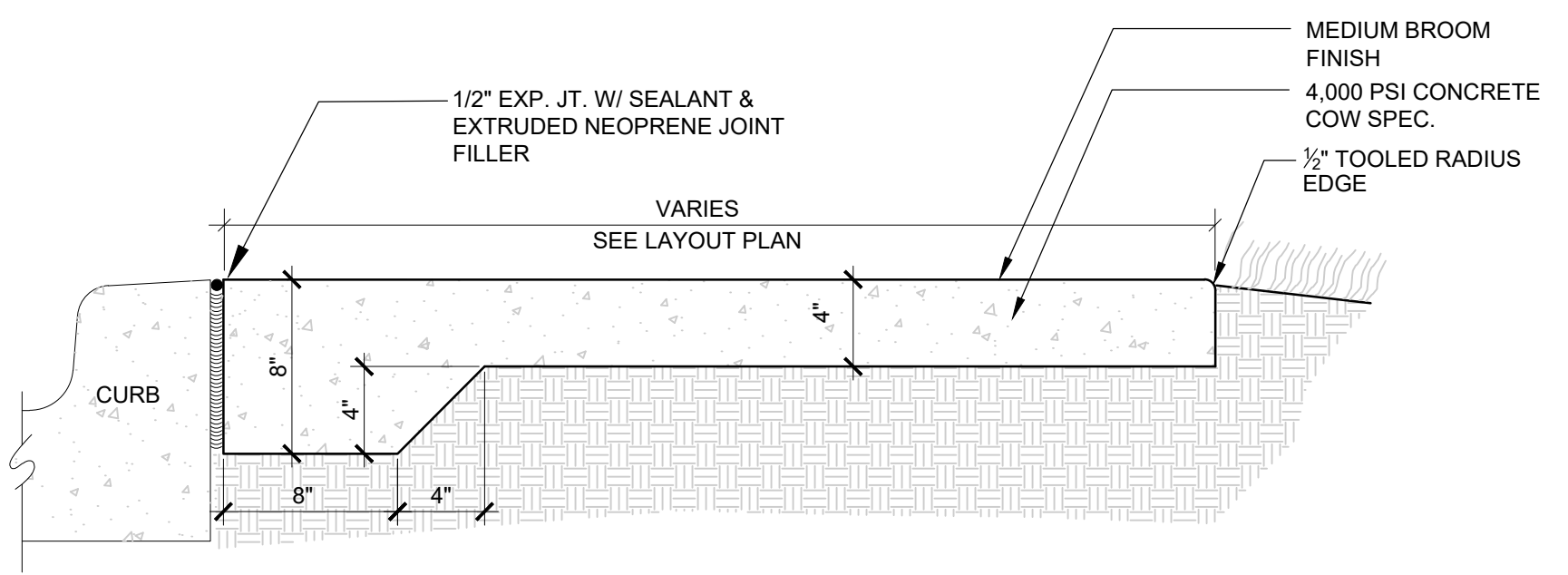
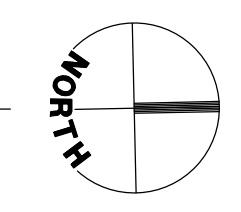
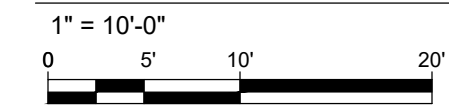
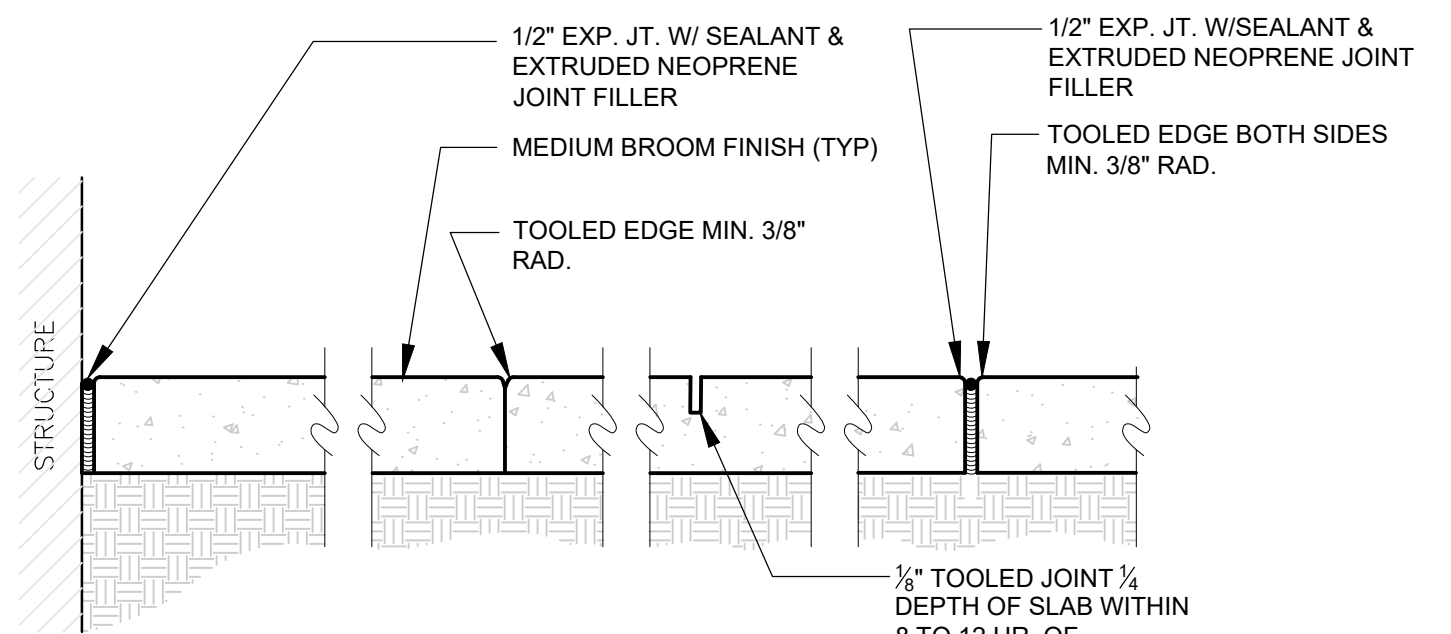


**HARDSCAPE PLAN**

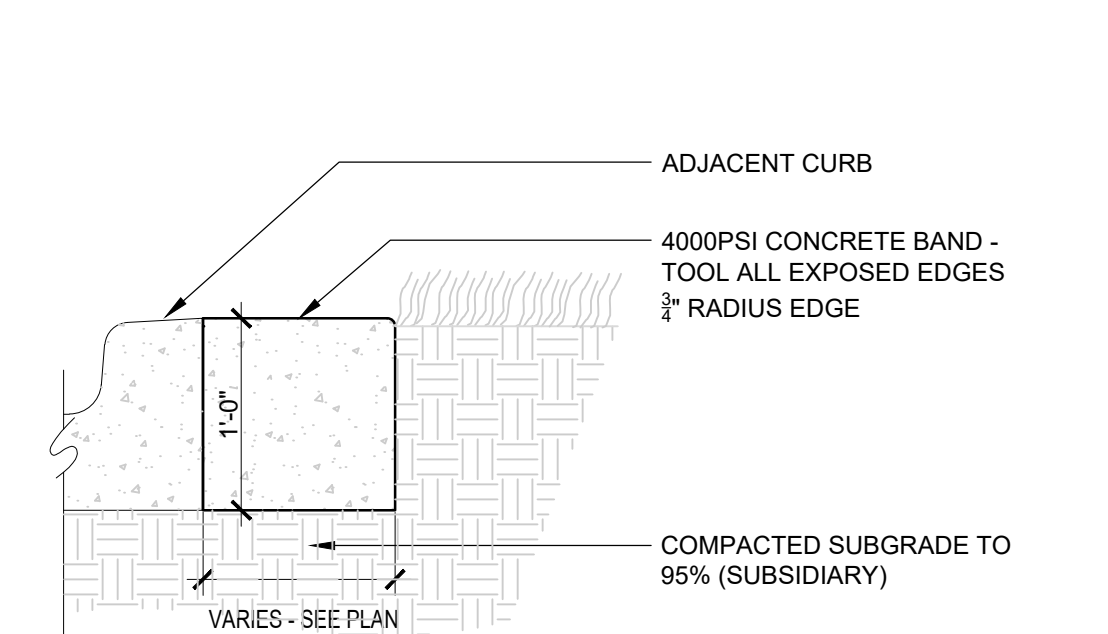


**1 TYPICAL CONCRETE SIDEWALK SECTION** 1 1/2" = 1'-0"



**2 TYP. SIDEWALK JOINTING** 1 1/2" = 1'-0"

- 1/2" EXPANSION JOINT FOR CONCRETE WALK SHALL BE "SONOLASTIC EXPANSION JOINT FILLER" (GRAY); SONNEBORN, CHEMREX INC. OR APPROVED EQUIVALENT
- SEALANT SHALL BE SINGLE PART POURABLE URETHANE SEALANT: "POURTHANE"; W.R. MEADOWS, INC. OR APPROVED EQUIVALENT.
- ALL LABOR AND MATERIALS FOR EXPANSION AND CONTRACTION JOINTS SHALL BE SUBSIDIARY TO CONCRETE SIDEWALK.



**3 REINFORCED CONCRETE BAND** 1" = 1'-0"

**REFERENCE**

KEY	DESCRIPTION	DETAIL
1	4" PLAIN CONC. PAVING	1/SHEET 19
2	CONCRETE BAND	3/SHEET 19
3	STAND-UP CONC. CURB	4/SHEET 20
4	BRICK PAVERS ON CONC. (PEDESTRIAN)	5/SHEET 20
5	BRICK PAVER BAND	6/SHEET 20
6	BICYCLE RACK (QTY. 24)	7/SHEET 21
7	PROTECTION BOLLARD (QTY. 62)	8/SHEET 21
8	REMOVABLE BOLLARD (QTY. 5)	9/SHEET 21
9	TREE GRATE (QTY. 10)	1/SHEET 17
10	LIGHT BOLLARD	REF. ELEC.
11	LIGHT COLUMN	REF. ELEC.
12	STREET LIGHT (EVERGY)	REF. ELEC.
13	PUBLIC ART - TOWER	
14	PUBLIC ART - CONCRETE BENCH (QTY. 6)	
15	PUBLIC ART - PARKING METER	

REVISIONS:	MARK	DATE	DESCRIPTION

PROJ NO: 472-2021  
 SCALE: 1" = 10'-0"  
 DATE: 12/13/2023  
 DESIGNED BY: JAB  
 DRAWN BY: JAB  
 CHECKED BY: JAB

SHEET TITLE:  
**HARDSCAPE PLAN**

SHEET NO.  
**19**