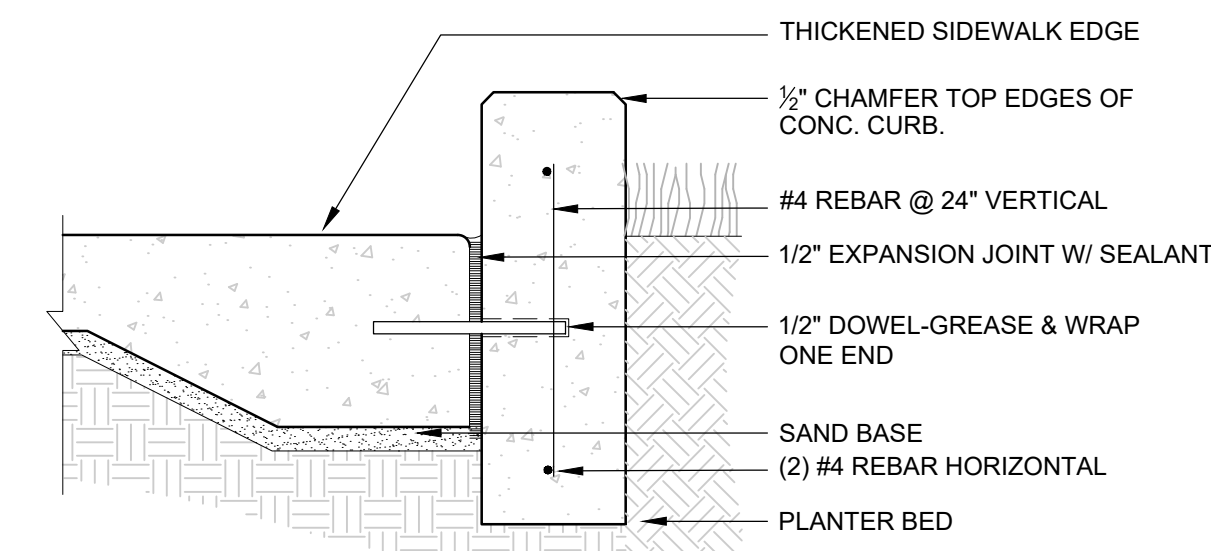
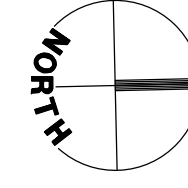
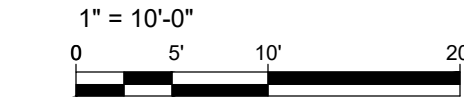
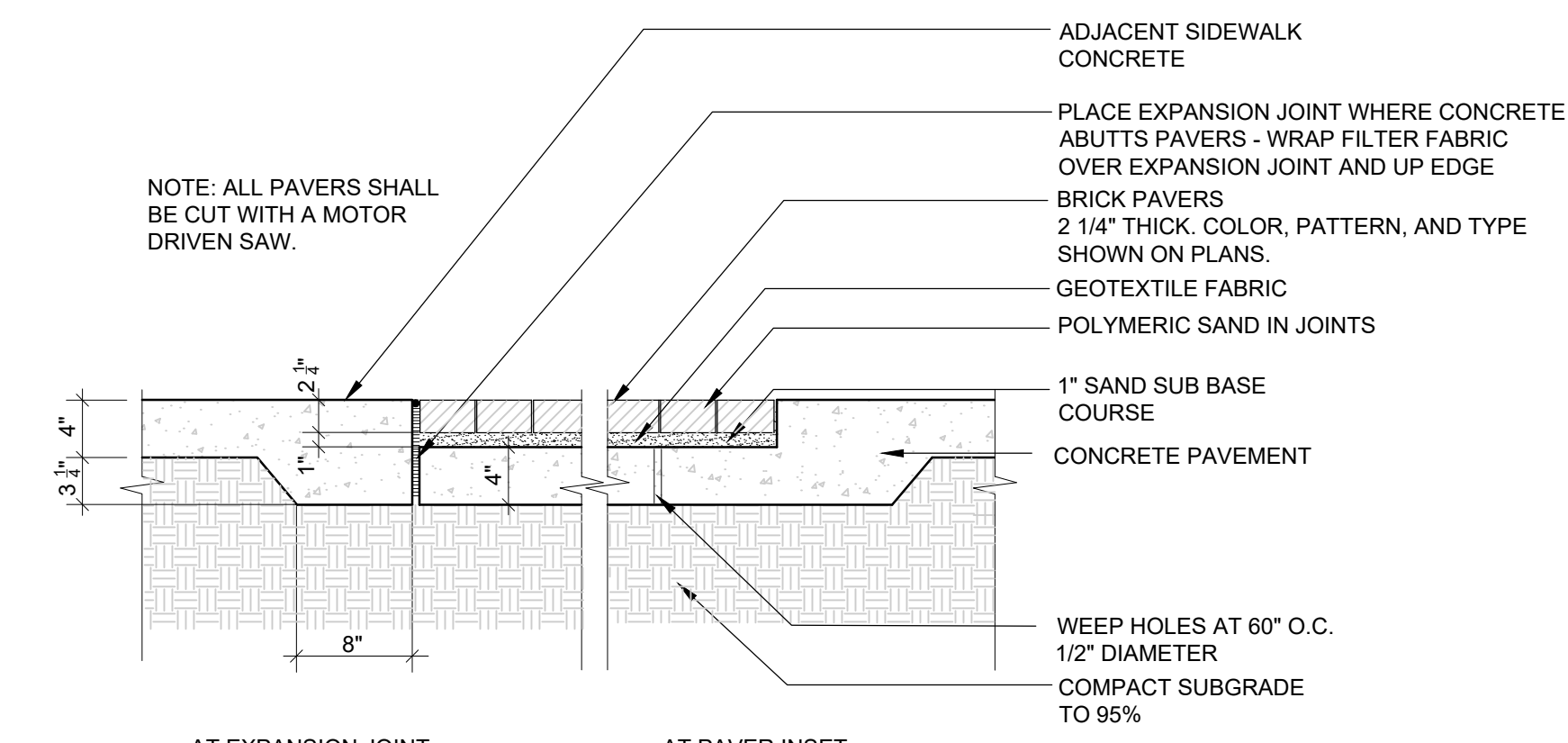


**HARDSCAPE PLAN**



**4 STAND-UP CURB**

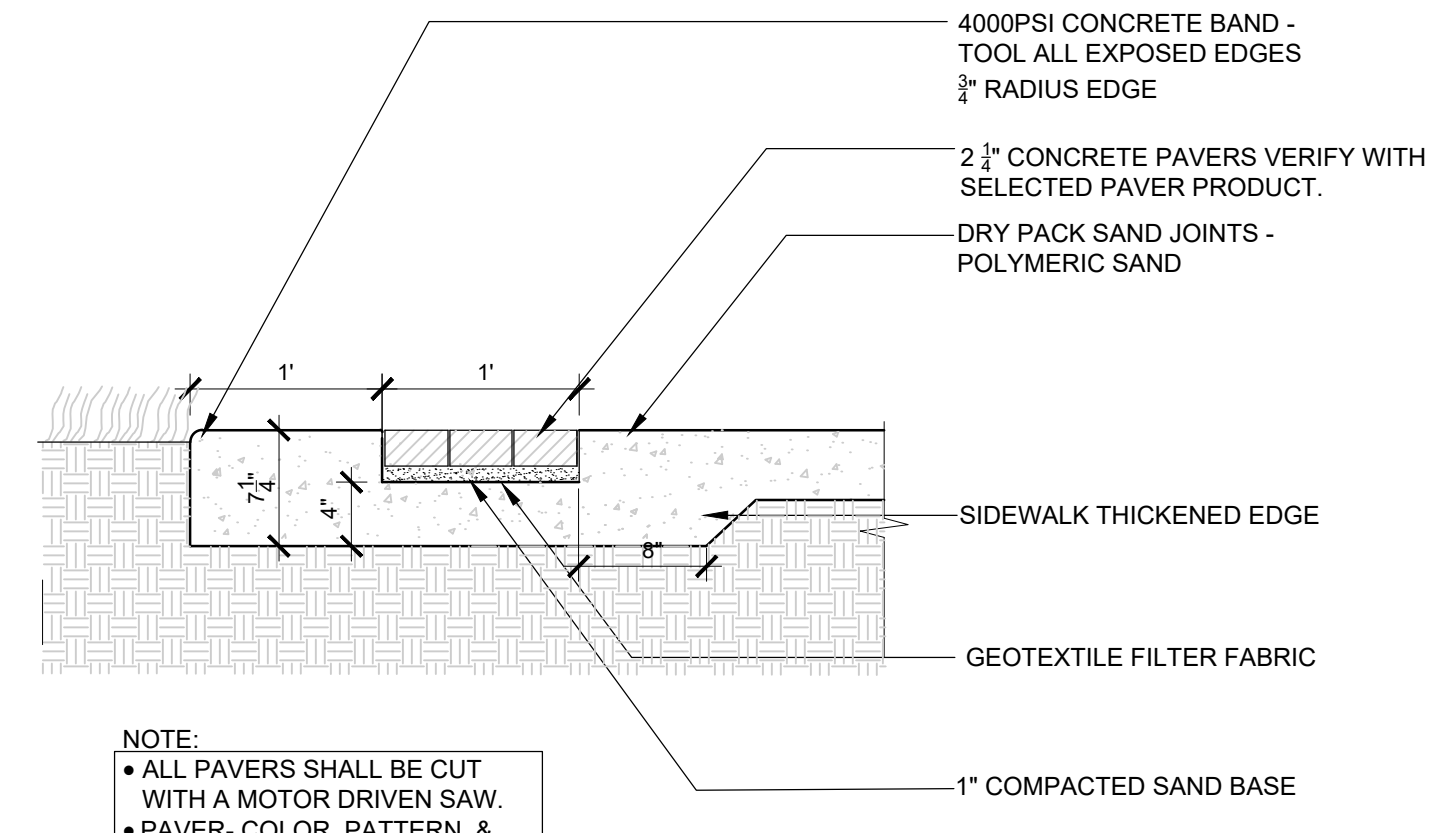
1 1/2" = 1'-0"



**5 BRICK PAVERS ON CONCRETE BASE**

PEDESTRIAN AREAS

1" = 1'-0"



**6 BRICK PAVER BAND**

PEDESTRIAN AREAS

1" = 1'-0"

**REFERENCE**

KEY	DESCRIPTION	DETAIL
1	4" PLAIN CONC. PAVING	1/SHEET 19
2	CONCRETE BAND	3/SHEET 19
3	STAND-UP CONC. CURB	4/SHEET 20
4	BRICK PAVERS ON CONC. (PEDESTRIAN)	5/SHEET 20
5	BRICK PAVER BAND	6/SHEET 20
6	BICYCLE RACK (QTY. 24)	7/SHEET 21
7	PROTECTION BOLLARD (QTY. 62)	8/SHEET 21
8	REMOVABLE BOLLARD (QTY. 5)	9/SHEET 21
9	TREE GRATE (QTY. 10)	1/SHEET 17
10	LIGHT BOLLARD	REF. ELEC.
11	LIGHT COLUMN	REF. ELEC.
12	STREET LIGHT (EVERGY)	REF. ELEC.
13	PUBLIC ART - TOWER	
14	PUBLIC ART - CONCRETE BENCH (QTY. 6)	
15	PUBLIC ART - PARKING METER	

REVISIONS:	MARK	DATE	DESCRIPTION

PROJ NO: 472-2021  
SCALE: 1" = 10'-0"  
DATE: 12/13/2023  
DESIGNED BY: JAB  
DRAWN BY: JAB  
CHECKED BY: JAB

SHEET TITLE:  
**HARDSCAPE PLAN**

SHEET NO.  
**20**

SHEET 20 OF xshs 163