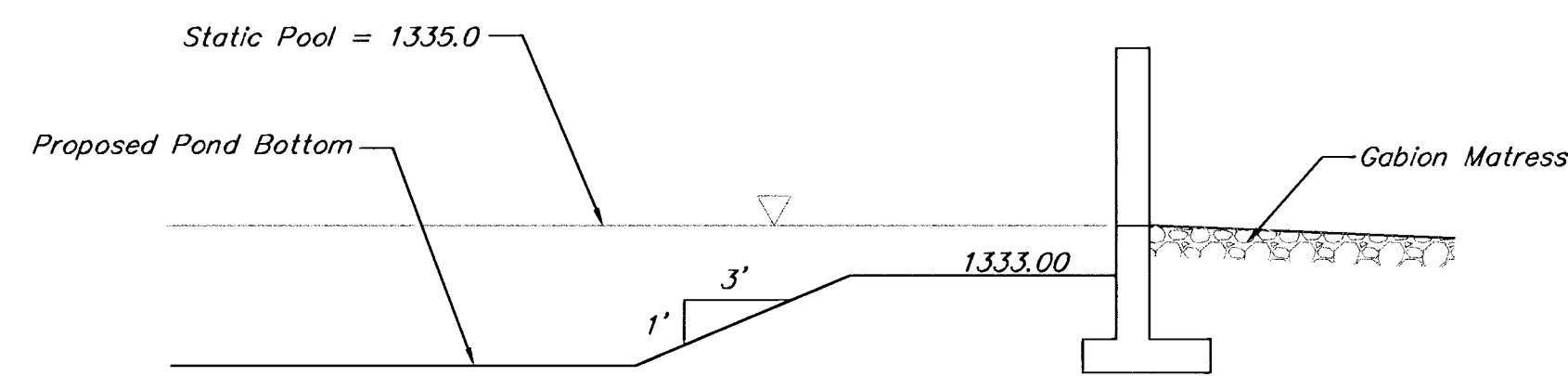
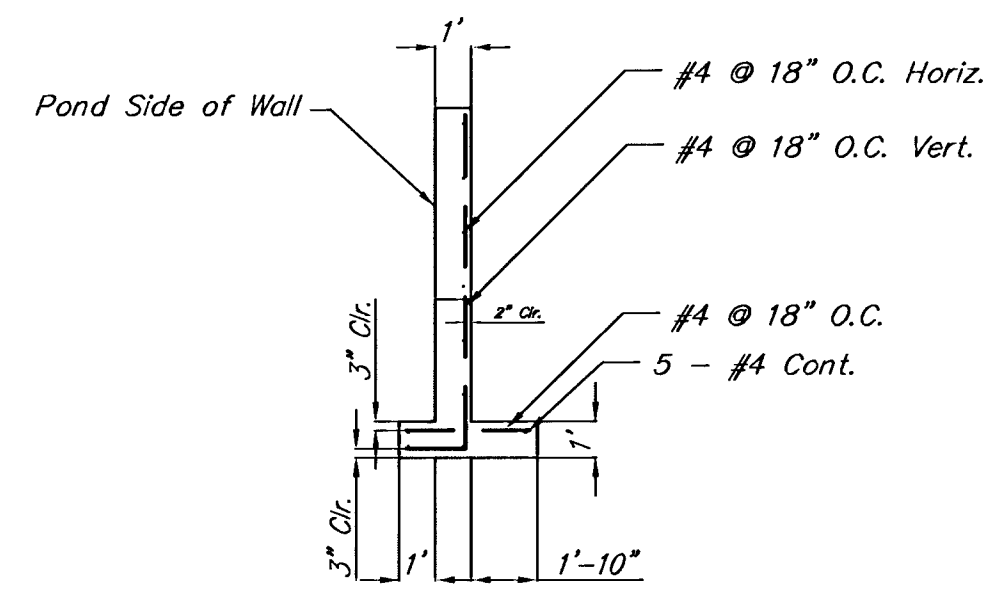


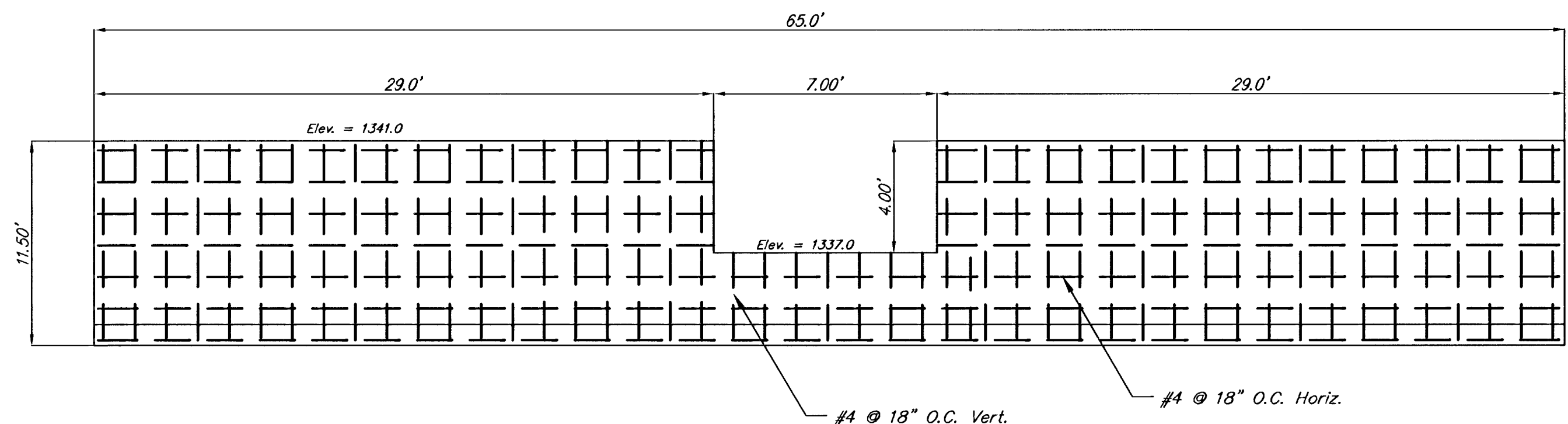
POND #2 WEIR WALL DETAIL



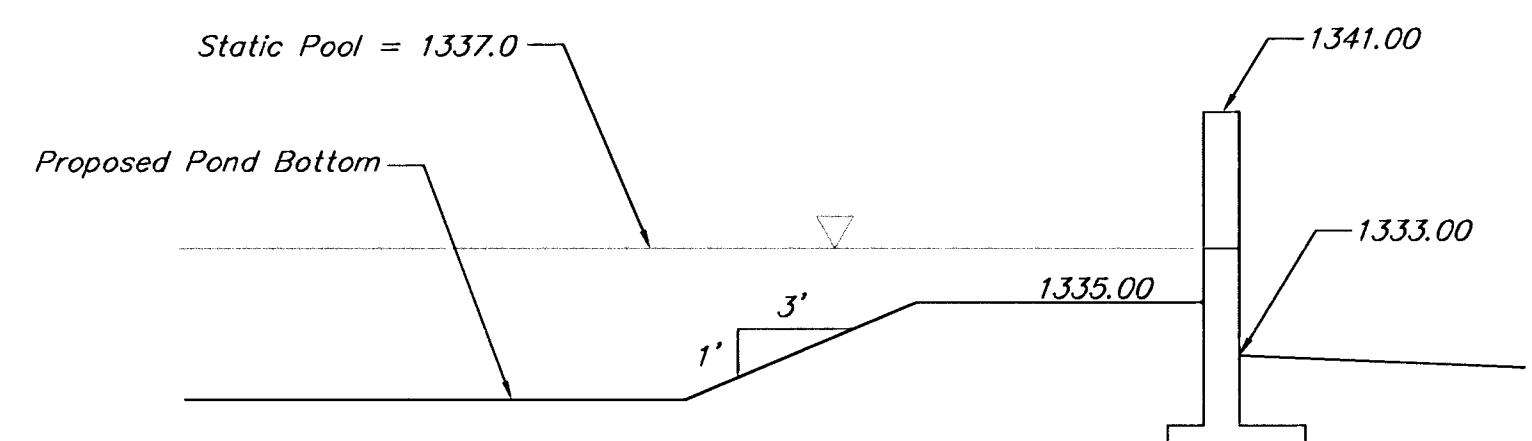
SECTION GRADING DETAIL



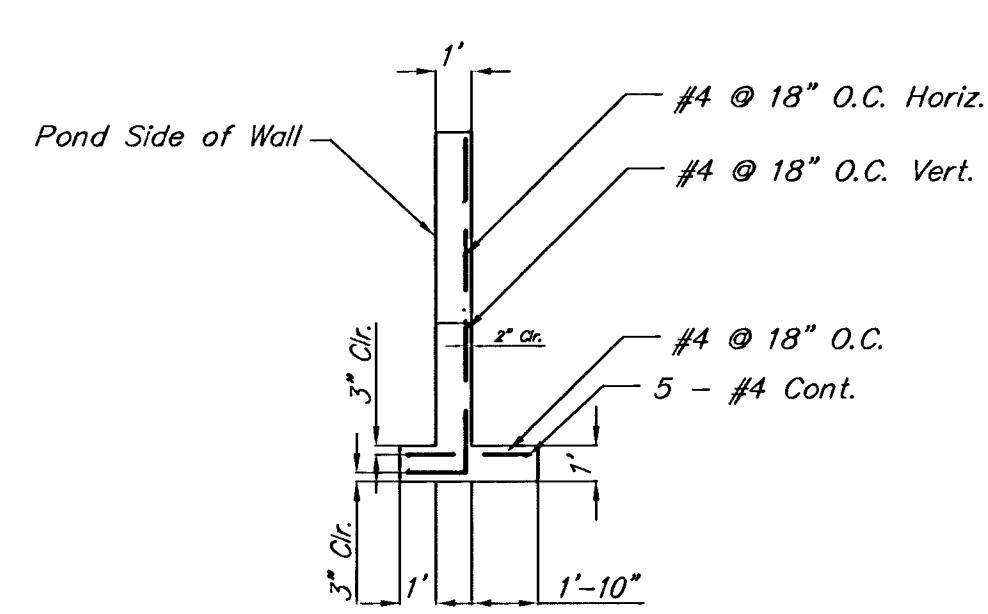
SECTION VIEW



POND #1 WEIR WALL DETAIL



SECTION GRADING DETAIL



SECTION VIEW

SIERRA HILLS ADDITION WEIR WALL DETAILS WICHITA, KANSAS			
	Ruggles & Bohm, P.A. Engineering, Surveying, Land Planning		DESIGN CMB
	924 North Main Wichita, Kansas 67203 www.rbkansas.com		(316) 264-8008 (316) 264-4621 fax E-mail: info@rbkansas.com
DRAWING FILE pond {weir wall}		PROJECT NUMBER 472-83703	DATE Apr. 22, 2003
			DRAWN EJG REVIEW UTILITY DATE Apr. 22, 2003
			SHEET 38 OF 69