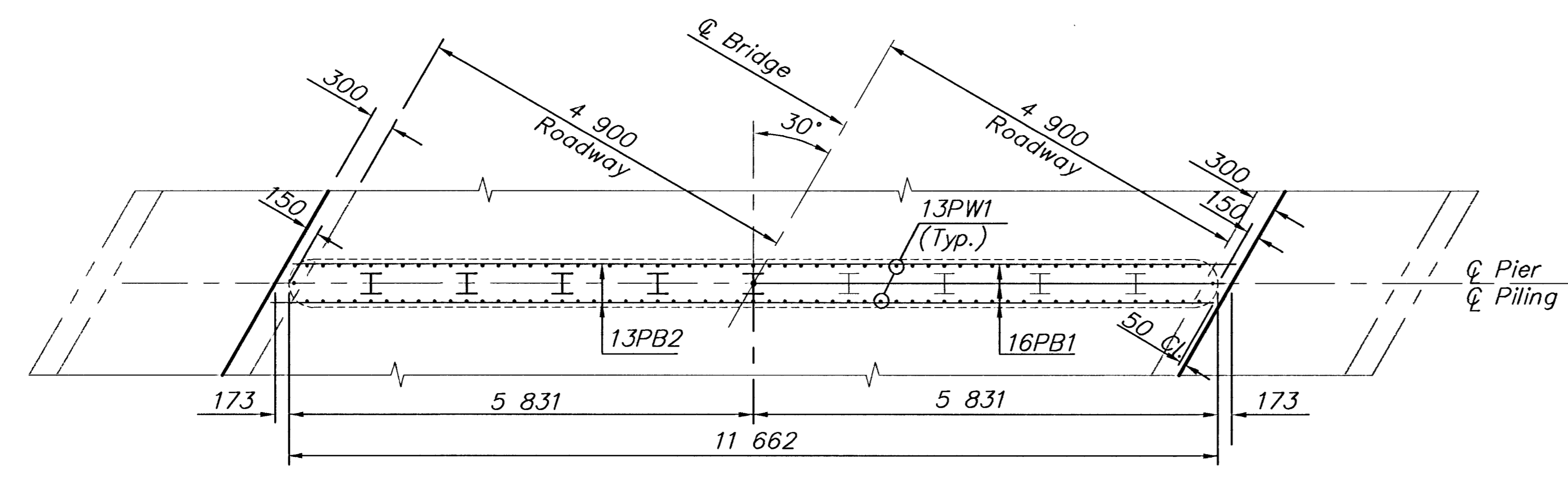
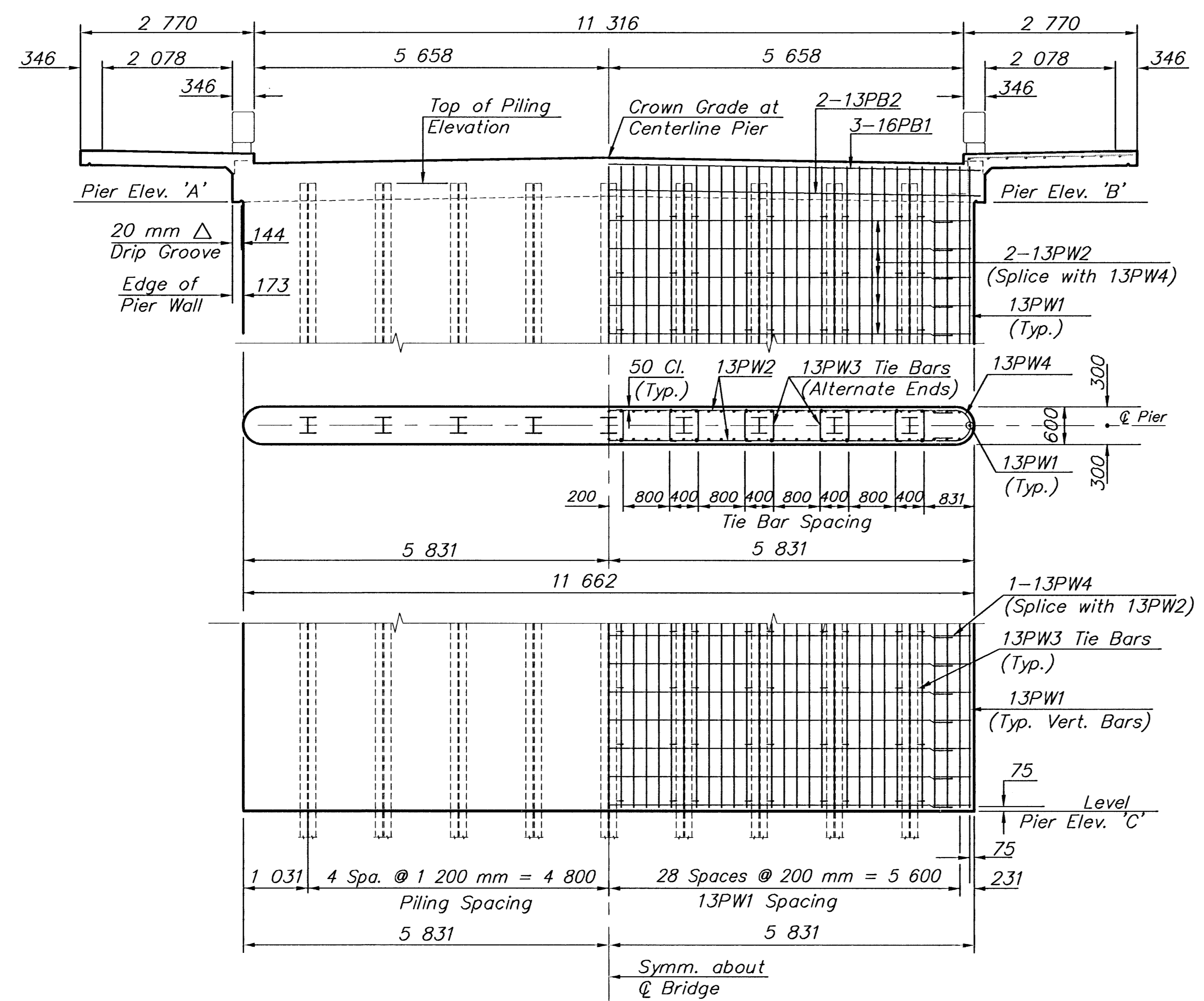


FHWA REG NO.	STATE	PROJECT NO.	YEAR	SHEET NO.	TOTAL SHEETS
7	KANSAS	87 N-0088-01	1999	13	38



Reinforcing in Bottom of Pier Head
 Reinforcing in Top of Pier Head
PLAN



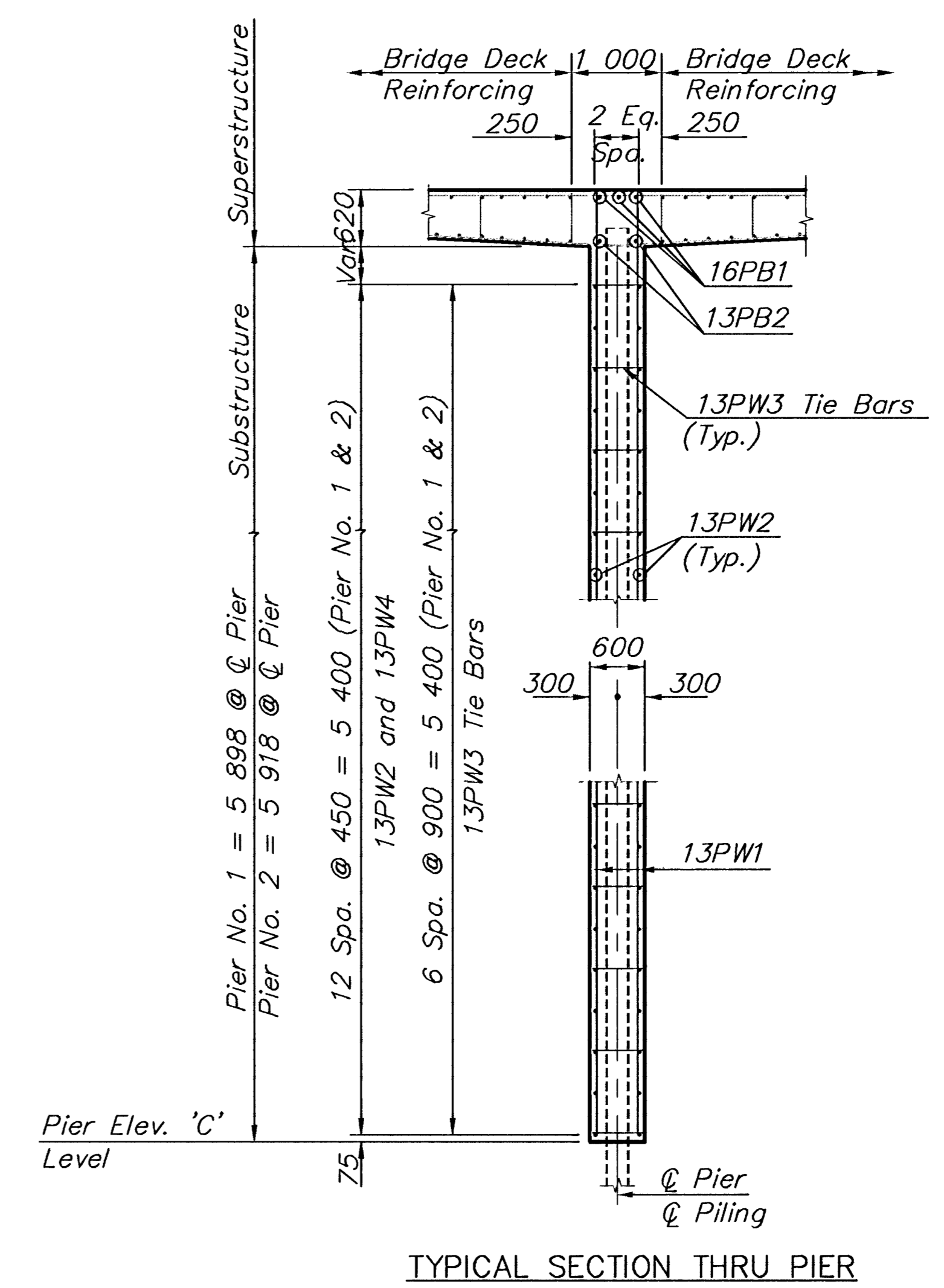
Half Elevation Showing Piling
 Half Elevation Showing Reinforcing
ELEVATION

PIER PILE LOADING

	<i>Design</i>	<i>Allowable</i>
Group I Loading	479 kN/Piling	500 kN/Piling

PIER ELEVATIONS

ELEVATION LOCATION	PIER NO. 1	PIER NO. 2
Crown Grade @ ϕ Pier	406.320	406.340
Pier Elevation 'A'	405.596	405.646
Pier Elevation 'B'	405.630	405.631
Top of Piling	405.915	406.028
Pier Elevation 'C'	399.800	399.800



TYPICAL SECTION THRU PIER

KANSAS DEPARTMENT OF TRANSPORTATION
 PROJ. NO. 530400870GC1020 STA. 1+450.20
PIER DETAILS
 (Eastern Street over Gypsum Creek)
 PROJ. NO. 87 N-0088-01 SEDGWICK CO.
 MID-KANSAS ENGINEERING CONSULTANTS, INC.
 WCHITA, KANSAS

DESIGNED BY: KJS, PAF	CHECKED BY: MDK
DRAWN BY: DPG	DATE: 11-19-98 SHEET 13 OF 13

DATE	
BY	
REFERENCES NOTED	
REFERENCES CHECKED	

H:\CIVIL\08046\DETAILS\9546PIER.DWG Thu Jan 28 11:20:12 1999 Plotted by DPG