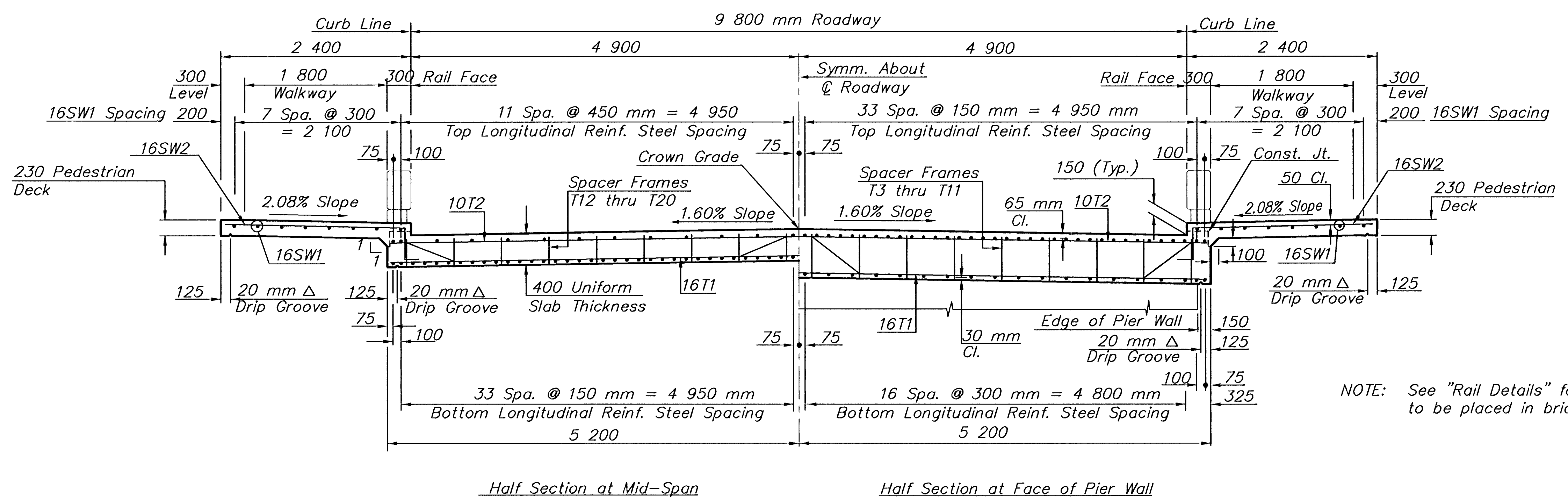
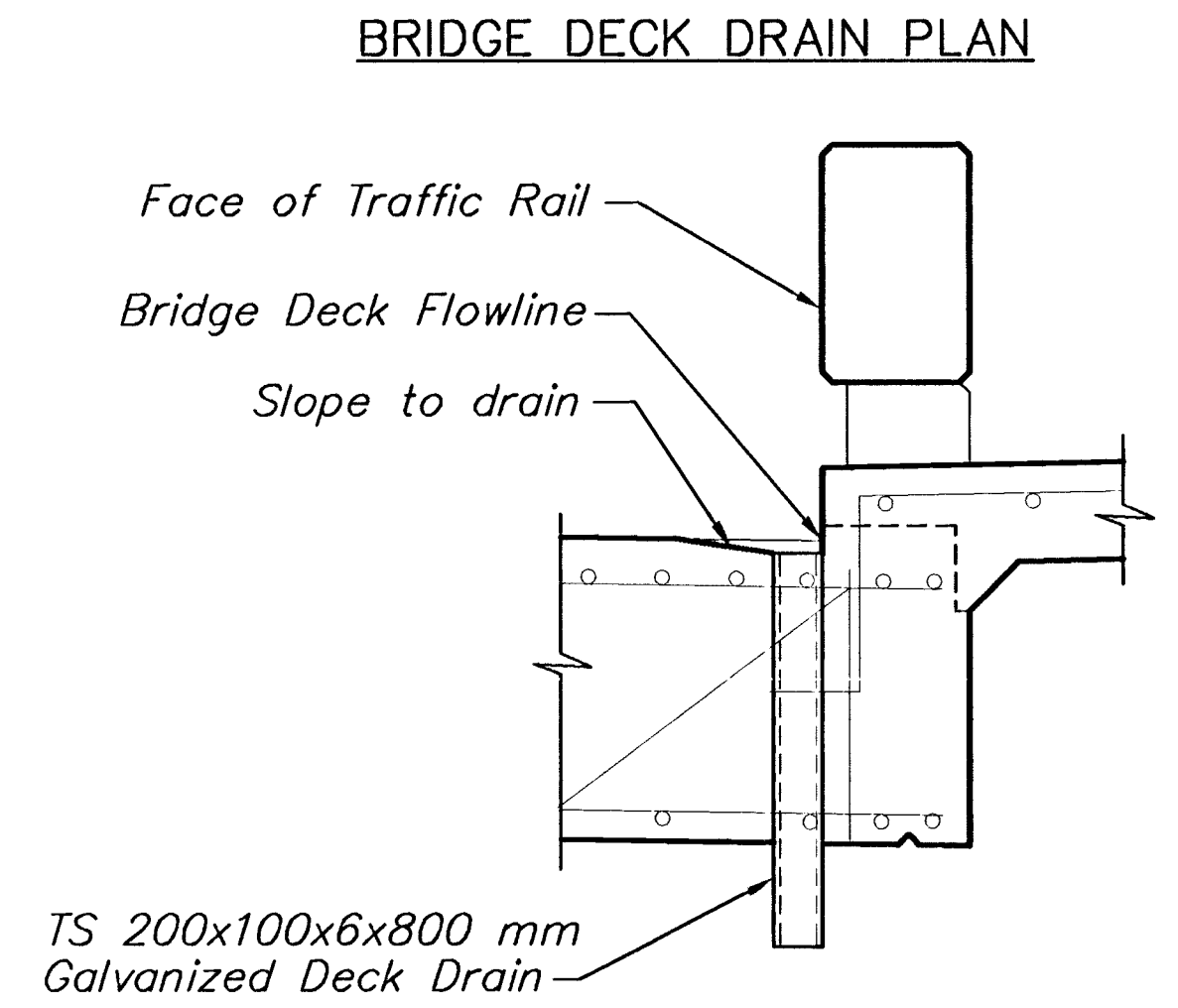
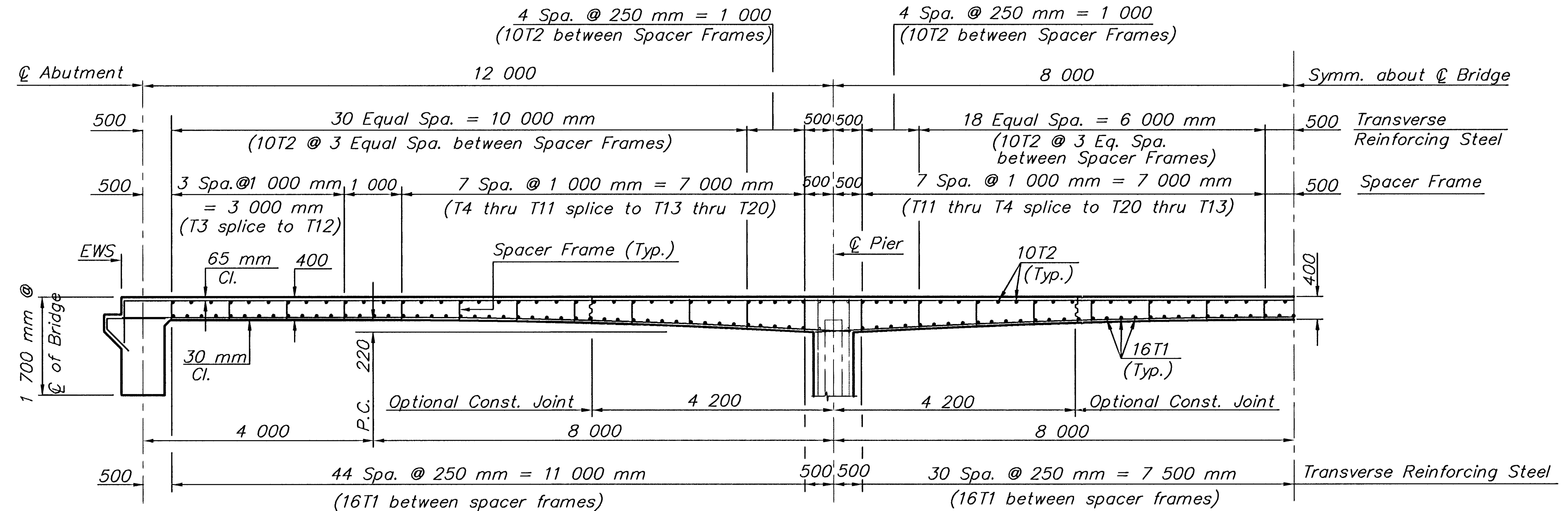
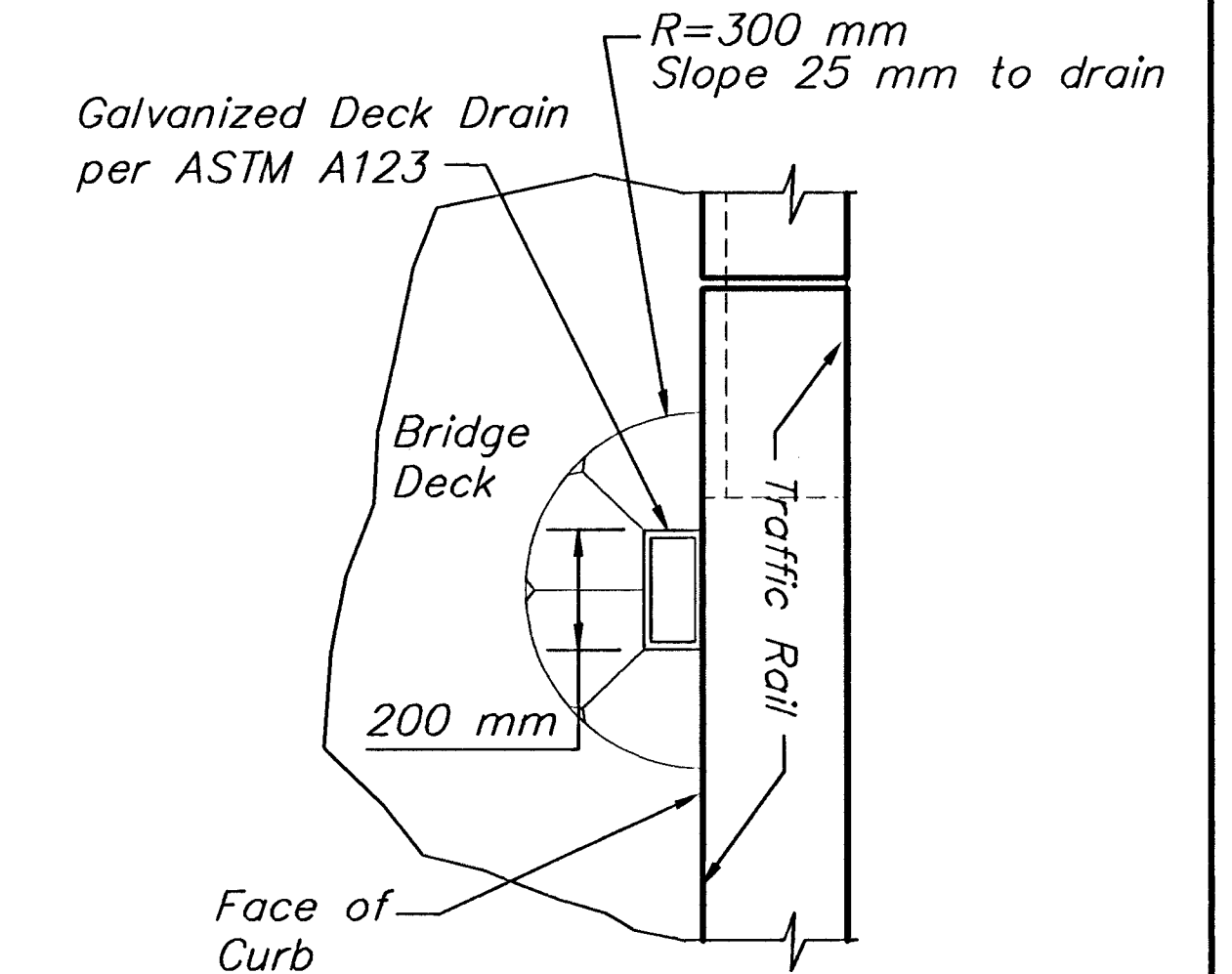
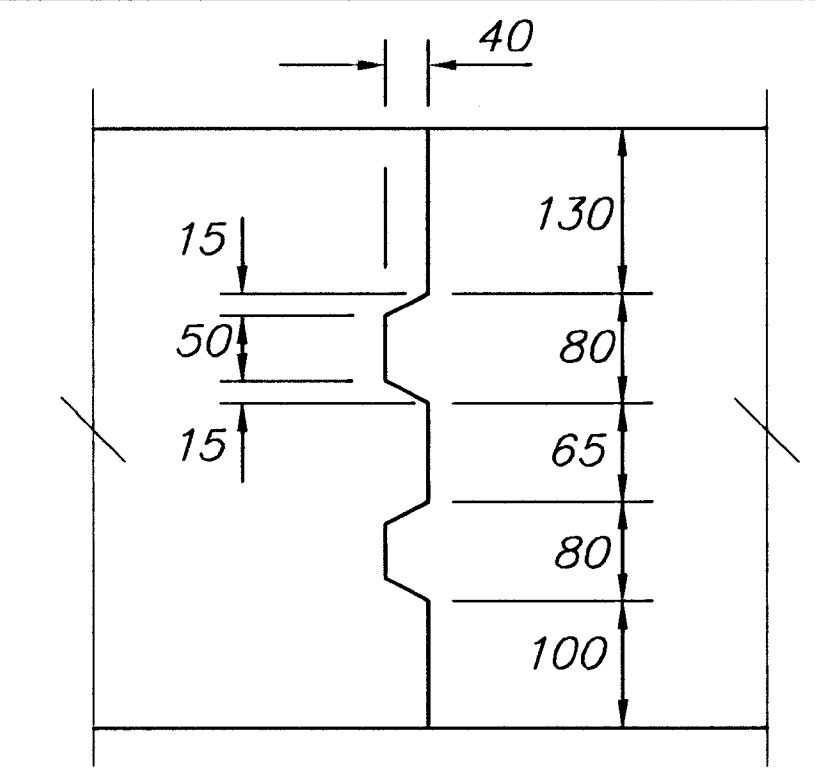
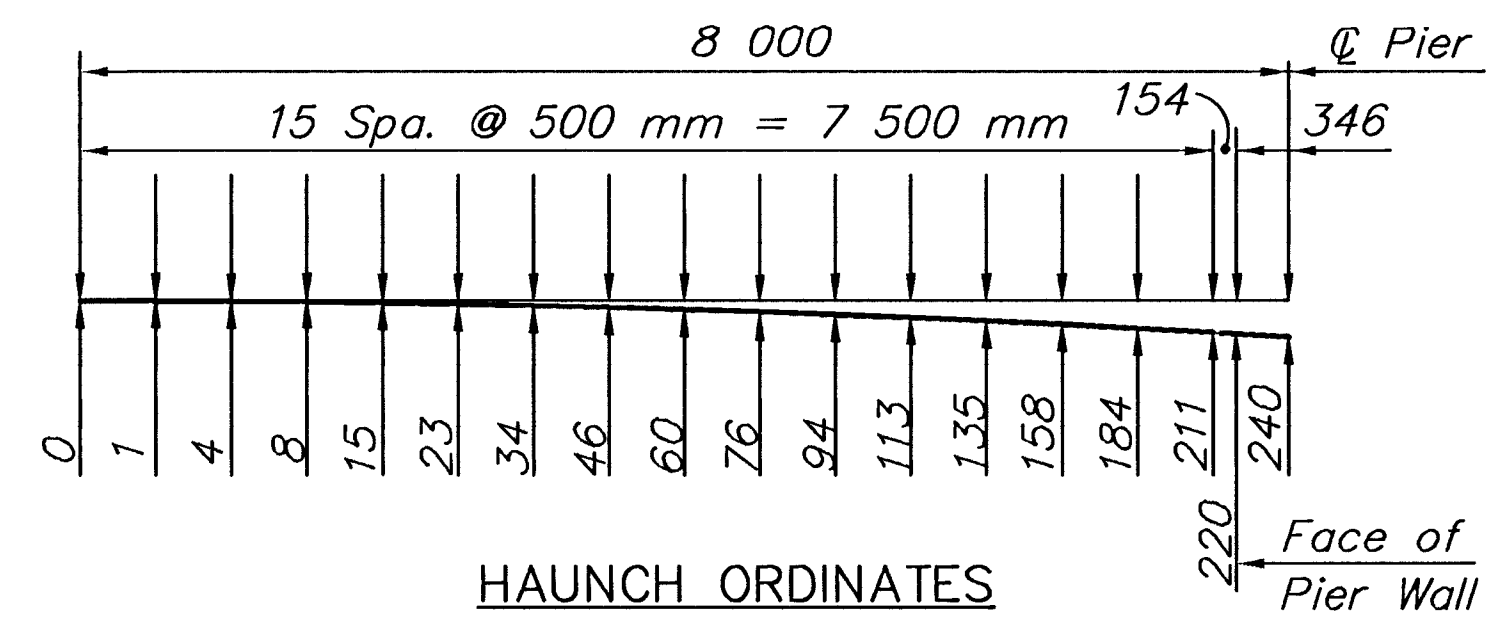
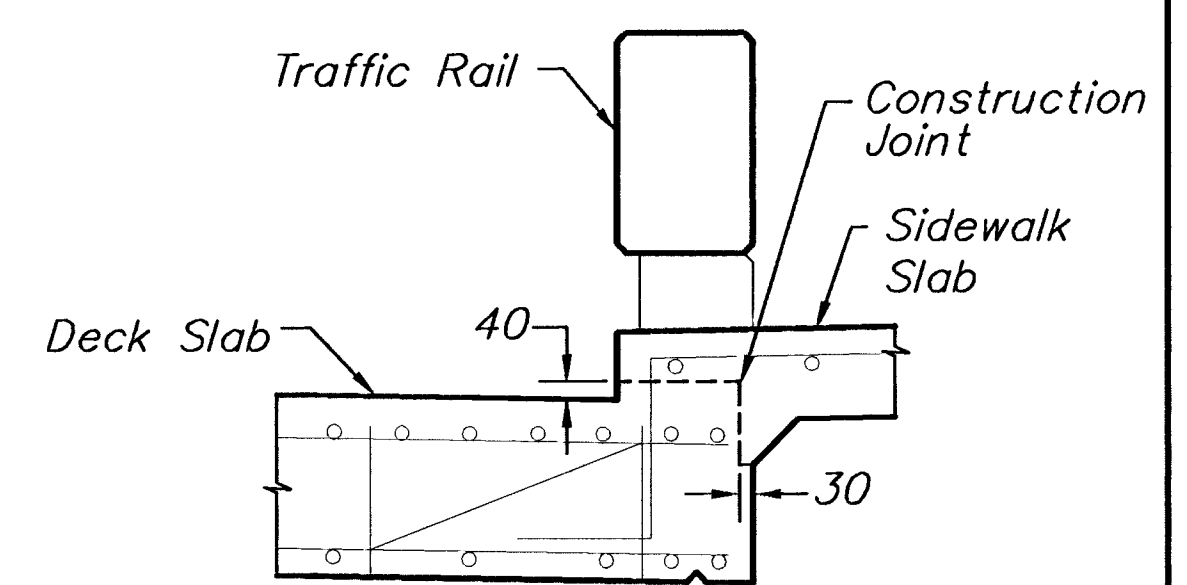


FHWA REG. NO.	STATE	PROJECT NO.	YEAR	SHEET NO.	TOTAL SHEETS
7	KANSAS	87 N-0088-01	1999	15	38

DATE	BY	REFERENCES NOTED	REFERENCES CHECKED



NOTE: See "Rail Details" for additional reinforcing to be placed in bridge slab.



KANSAS DEPARTMENT OF TRANSPORTATION
 BR. NO. 530400870GC1020 STA. 1+450.20
SUPERSTRUCTURE DETAILS
 (Eastern Street over Gypsum Creek)
 PROJ. NO. 87-0088-01 SEDGWICK CO.
 MID-KANSAS ENGINEERING CONSULTANTS, INC.
 WICHITA, KANSAS

DESIGNED BY: KJS, PAF	CHECKED BY: MDK
DRAWN BY: DPG	DATE: 11-19-98 SHEET OF