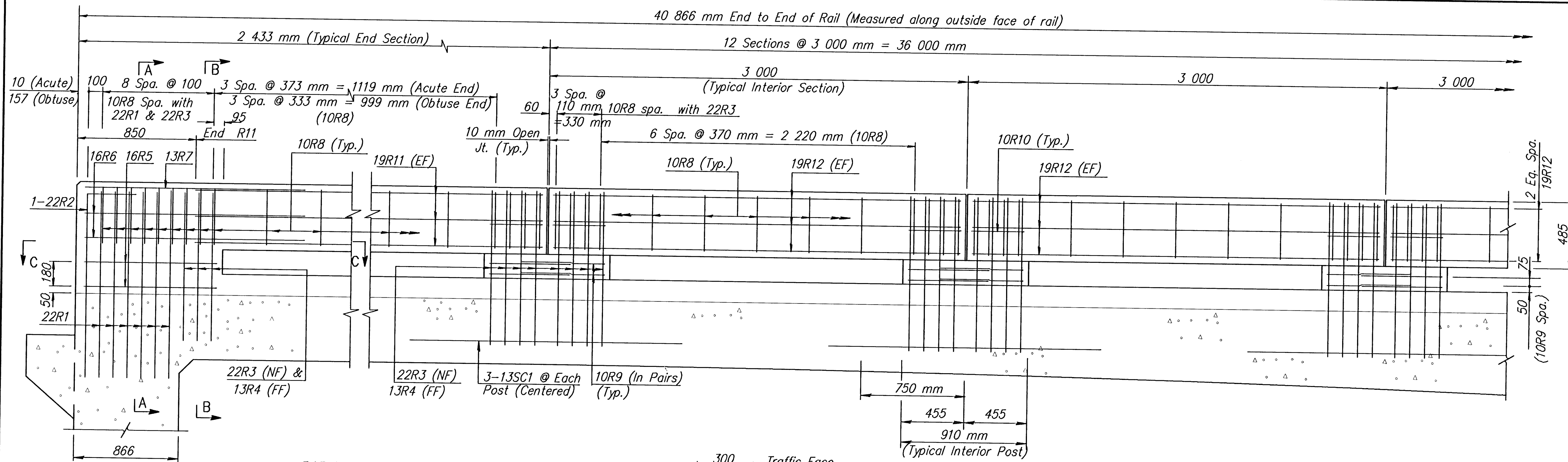
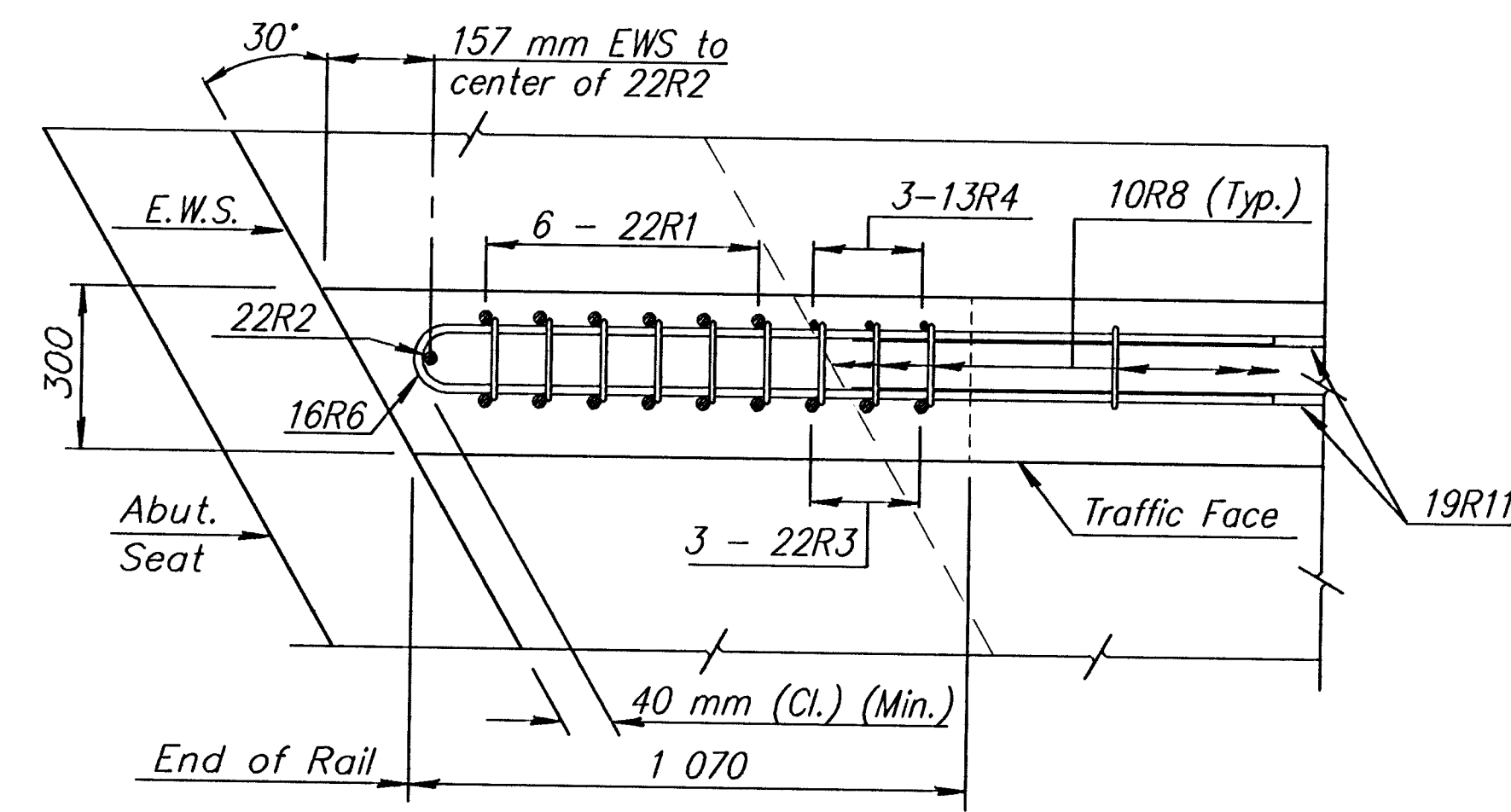


FHWA REG. NO.	STATE	PROJECT NO.	YEAR	SHEET NO.	TOTAL SHEETS
7	KANSAS	87 N-0088-01	1999	16	38

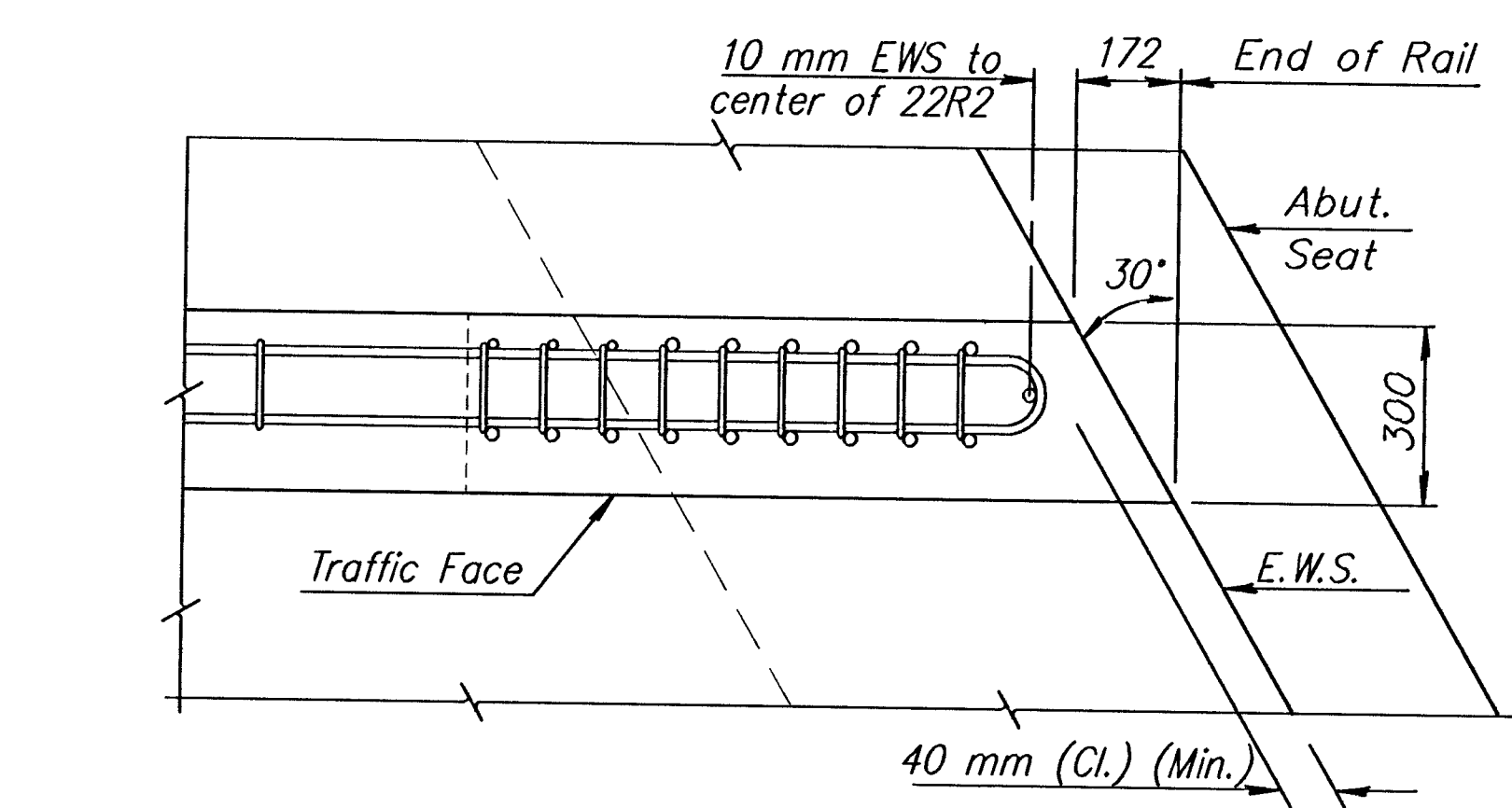
DATE	
BY	
REFERENCES NOTED	
REFERENCES CHECKED	



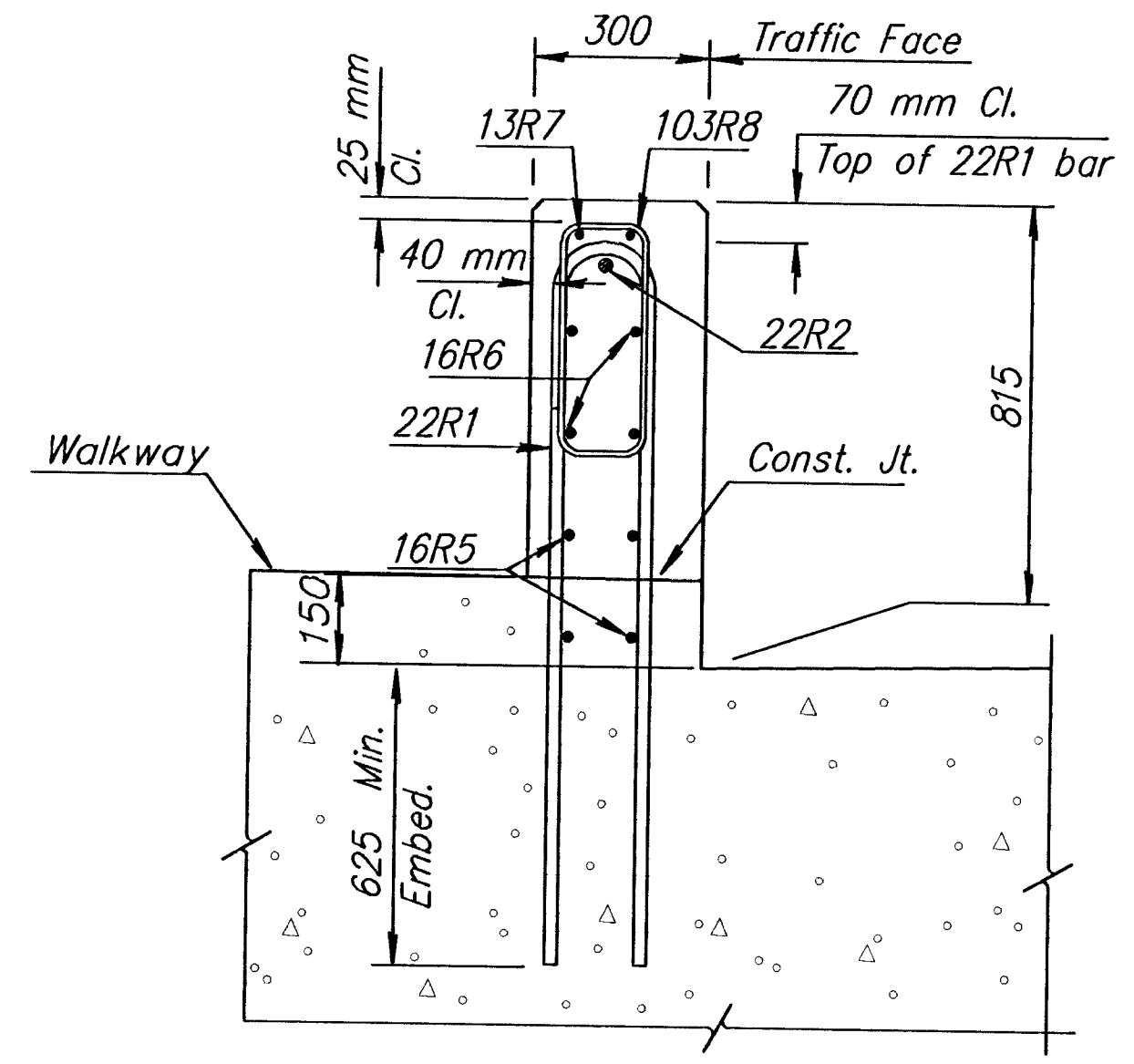
PARTIAL ELEVATION
(Along Traffic Face)



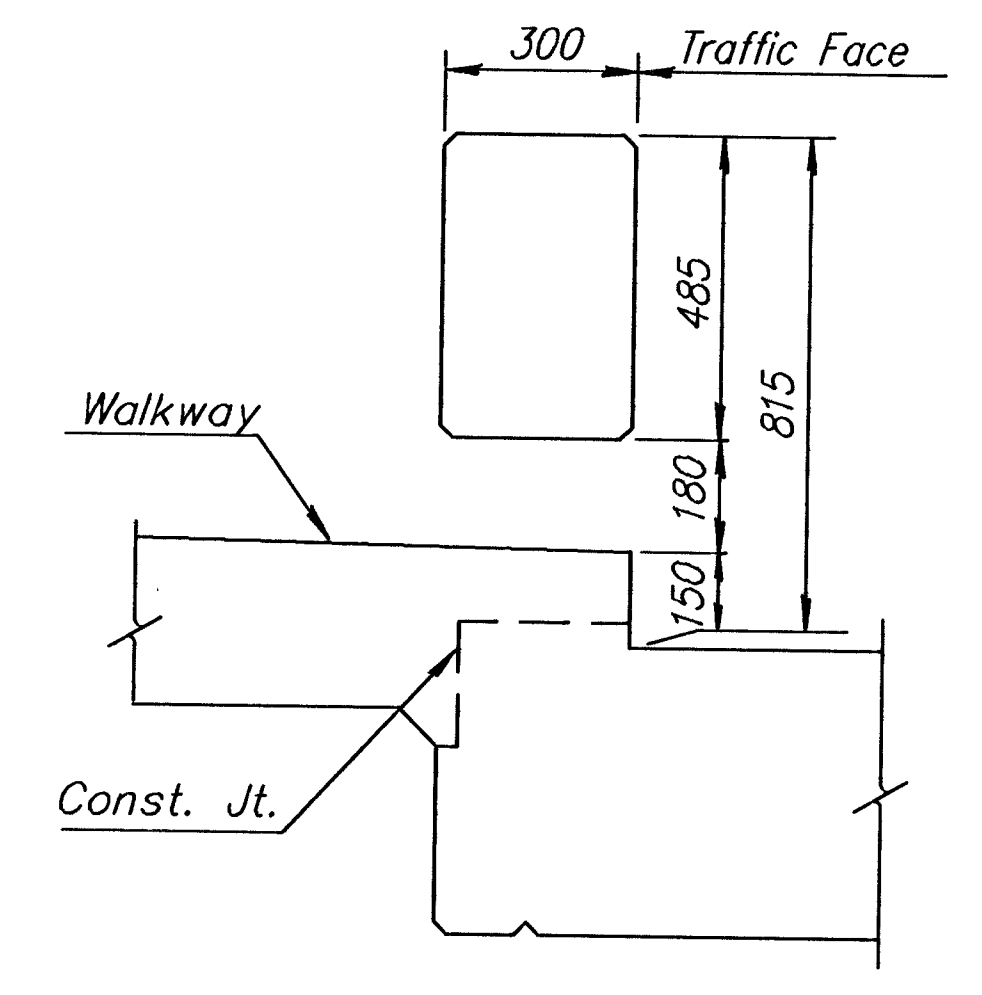
SECTION C-C
(OBTUSE END)



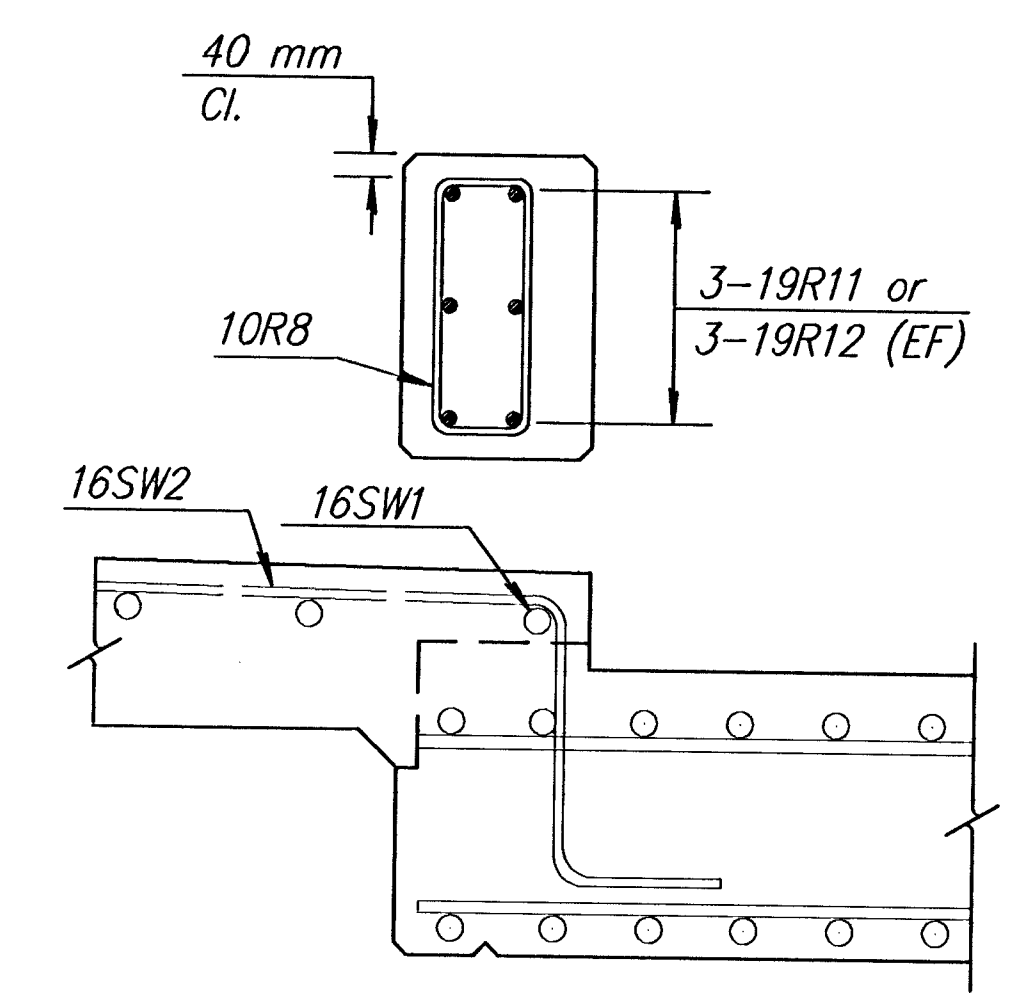
PLAN
(ACUTE END)
SKETCH FOR SKEWED STRUCTURE



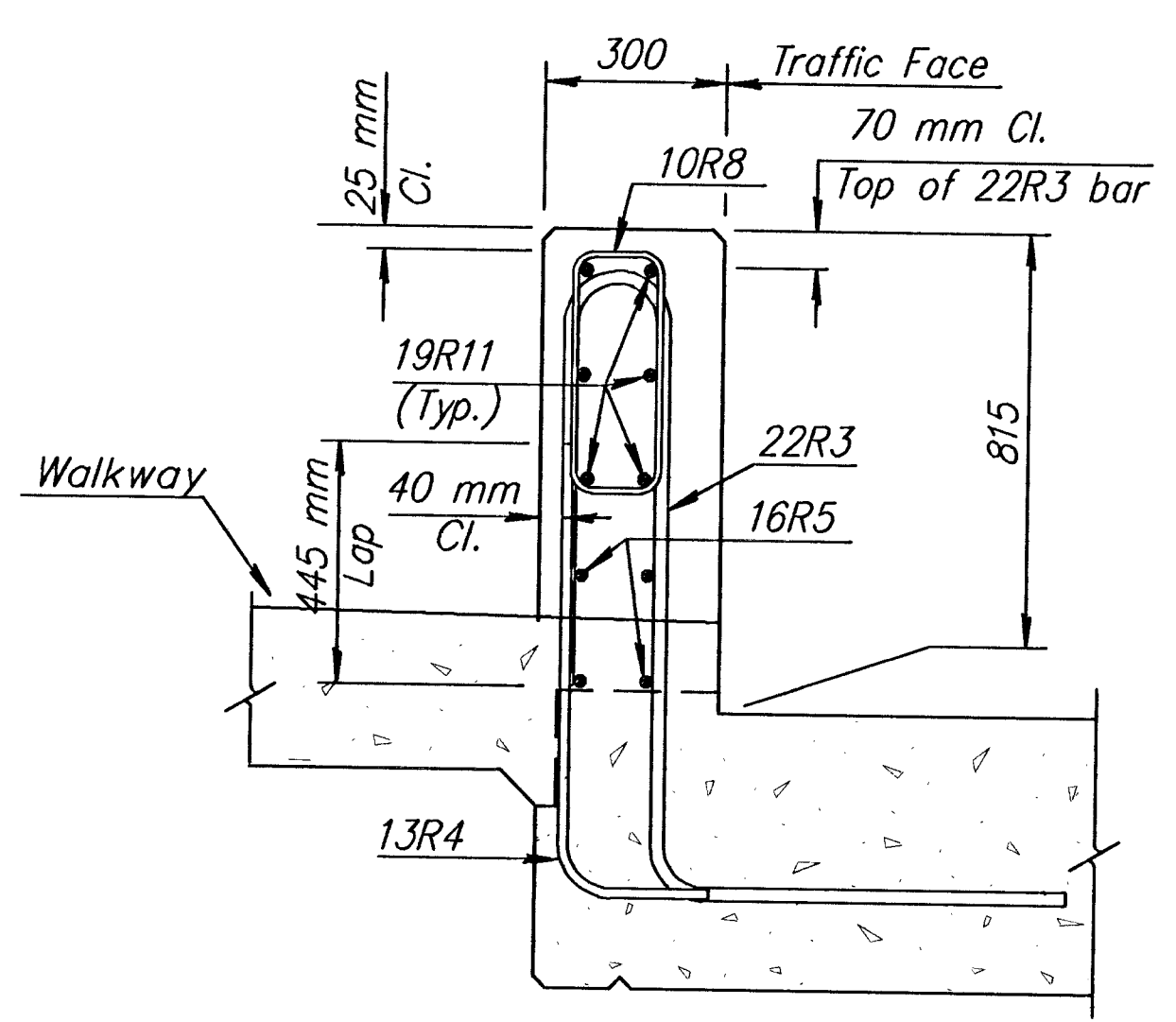
SECTION A-A



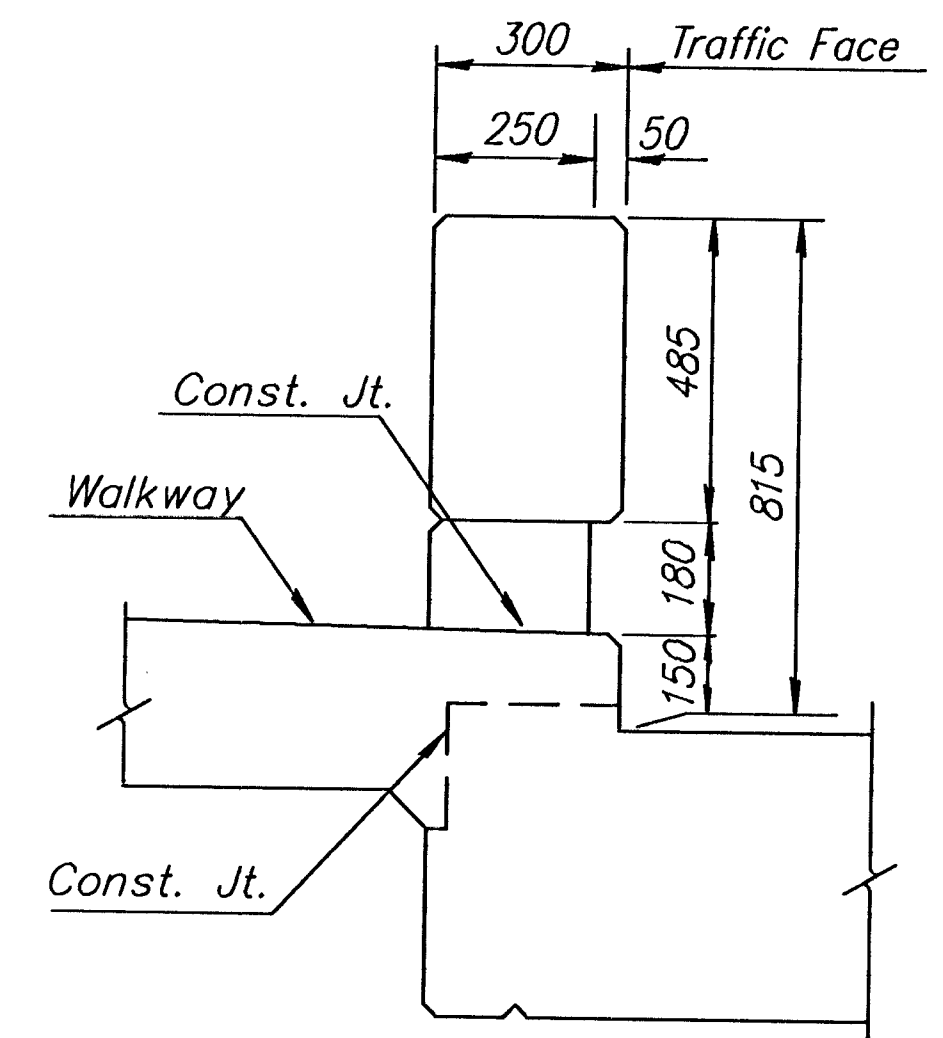
TYPICAL SECTION BETWEEN POSTS



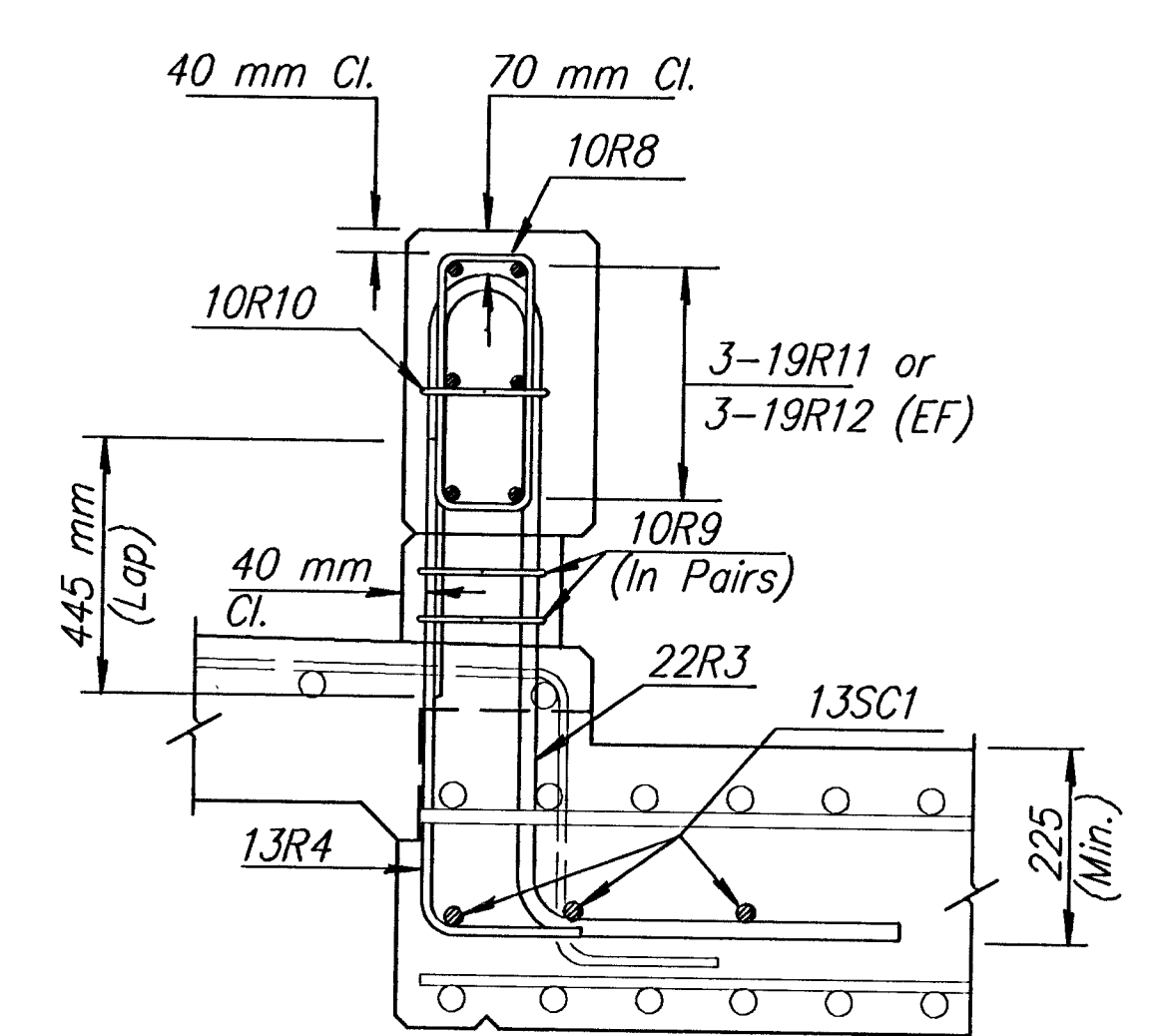
TYPICAL SECTION BETWEEN POSTS



SECTION B-B



TYPICAL INTERIOR POST



TYPICAL SECTION INTERIOR POST

LEGEND

- NF = Near Face
- FF = Far Face
- EF = Each Face

NO.	DATE	REVISIONS	BY	APP'D
1				
2				

KANSAS DEPARTMENT OF TRANSPORTATION
BR. NO. 530400870GC1020 STA. 1+450.20
GUIDELINES FOR THE KANSAS CORRAL RAIL
PROJ. NO. 87 N-0088-01 SEDGWICK CO.
MID-KANSAS ENGINEERING CONSULTANTS, INC.
WCHITA, KANSAS

DESIGNED BY:	KJS, PAJ	CHECKED BY:	MDK
DRAWN BY:	DPG	DATE:	11-19-98 SHEET OF