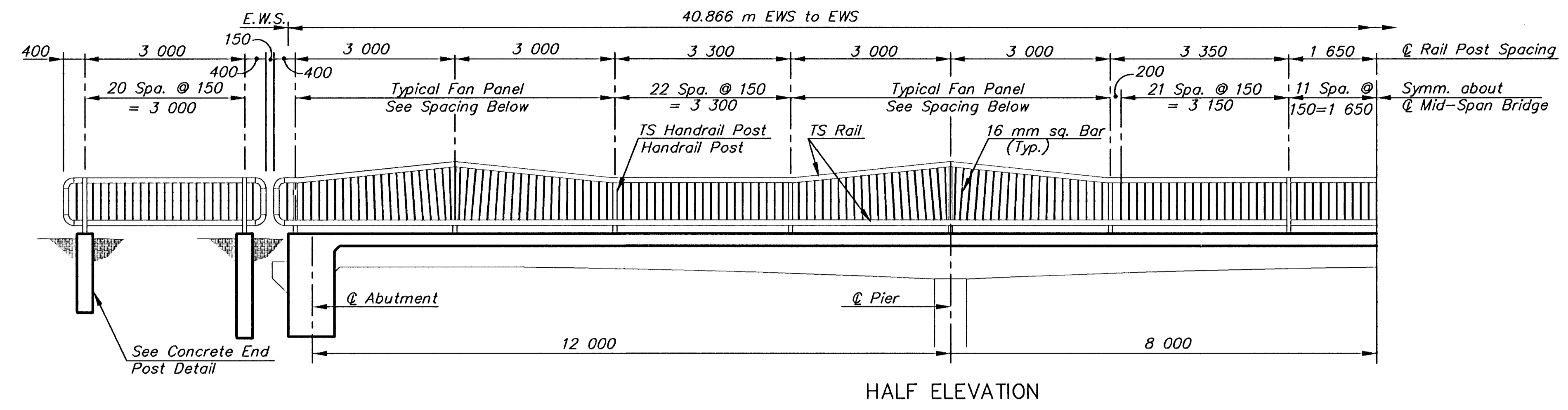


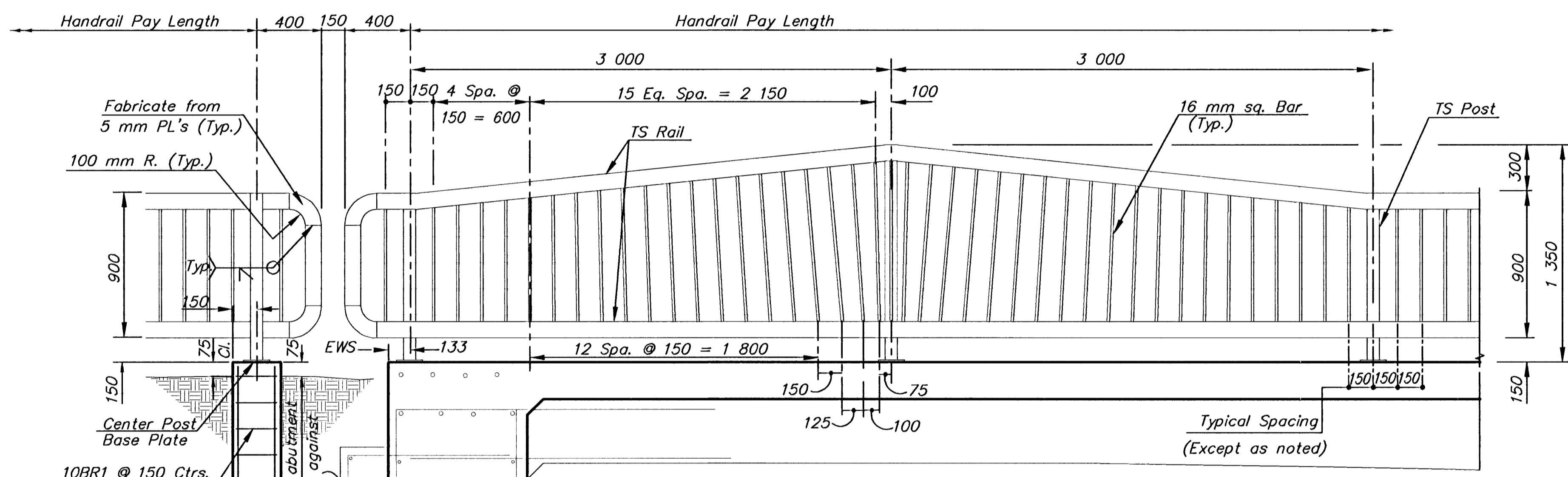
FHWA REG. NO.	STATE	PROJECT NO.	YEAR	SHEET NO.	TOTAL SHEETS
7	KANSAS	87 N-0088-01	1999	17	38

HANDRAIL NOTES

- Plates, bars and angles, shall conform to ASTM Designation A36 or equivalent. Structural tubing shall conform to ASTM A 500 or A 501.
- Rail on bridge shall be fabricated in lengths to include a minimum of two and a maximum of three panels. The approach section shall be a single panel unit. Posts shall be set vertical. Shims may be used between concrete and base plates of posts.
- All parts of Handrail shall be painted. The primer coat shall conform to the inorganic Zinc System. Surface preparation shall be in accordance with that for structural steel. The finish coat shall be High-Build Polyurethane Finish Coat in accordance with the most current KDOT Special Provision. All materials, equipment and labor necessary for the installation of the handrail shall be subsidiary to the bid item.
- Prior to ordering paint, the Contractor shall submit a color chart to be approved by the City of Wichita.
- Concrete Grade 30 (AE) shall be used for concrete end post. Quantities for concrete end posts are included in the substructure total shown in the Summary of Quantities.
- All reinforcing shall conform to ASTM A615M Grade 420. The quantity of reinforcing steel required for the concrete end posts is included in the total shown on sheet no. 8 in the Summary of Quantities.

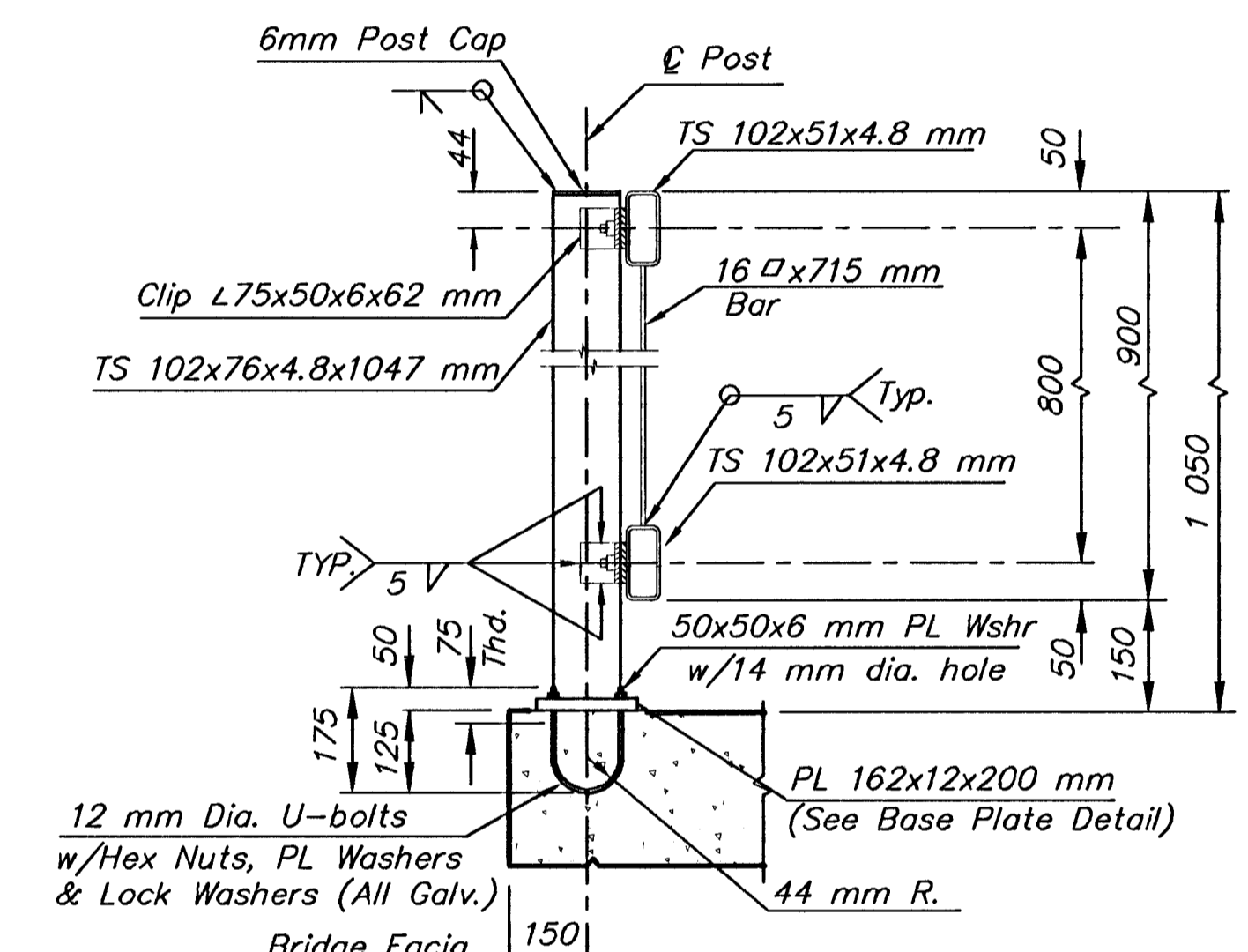


HALF ELEVATION



TYPICAL FAN PANEL DETAIL

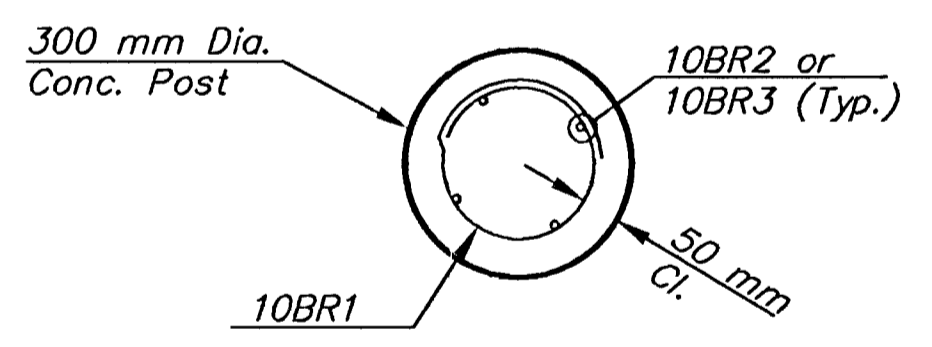
Bar	BR1	BR2	BR3
No.	96	16	16
Size	10	10	10
Length	928	1 500	1 800



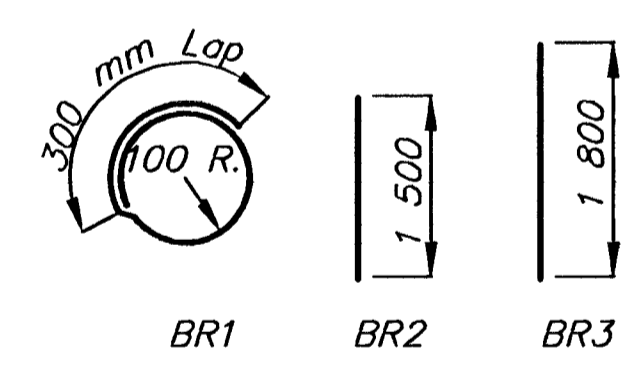
TYPICAL RAIL SECTION

NOTE:
The concrete and reinforcing quantities are included in Bridge quantities.

Grade 30 (AE)	0.93 m ³
Reinforcing Steel (Grade 420)	80 kg

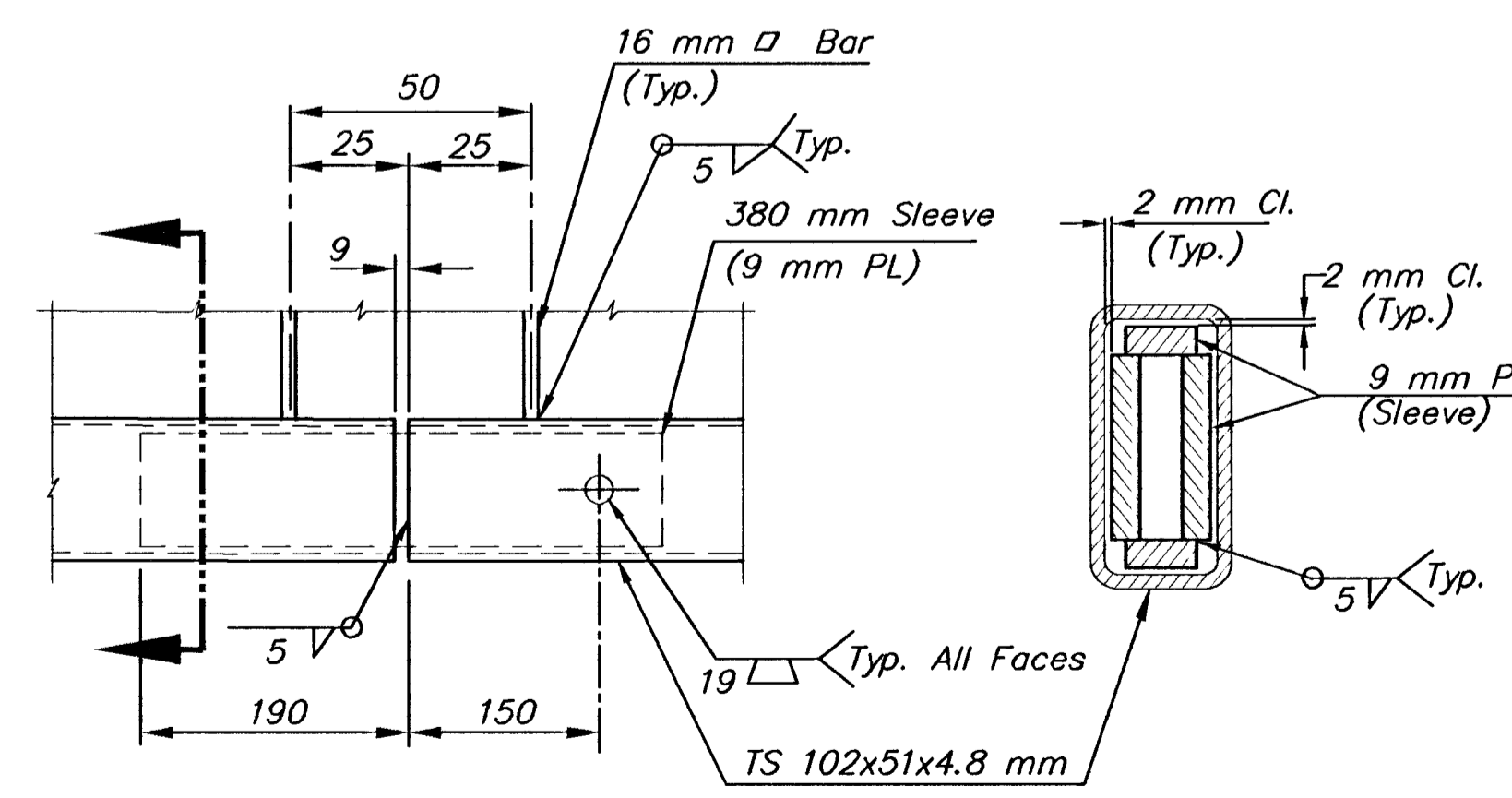


SECTION THRU END POST

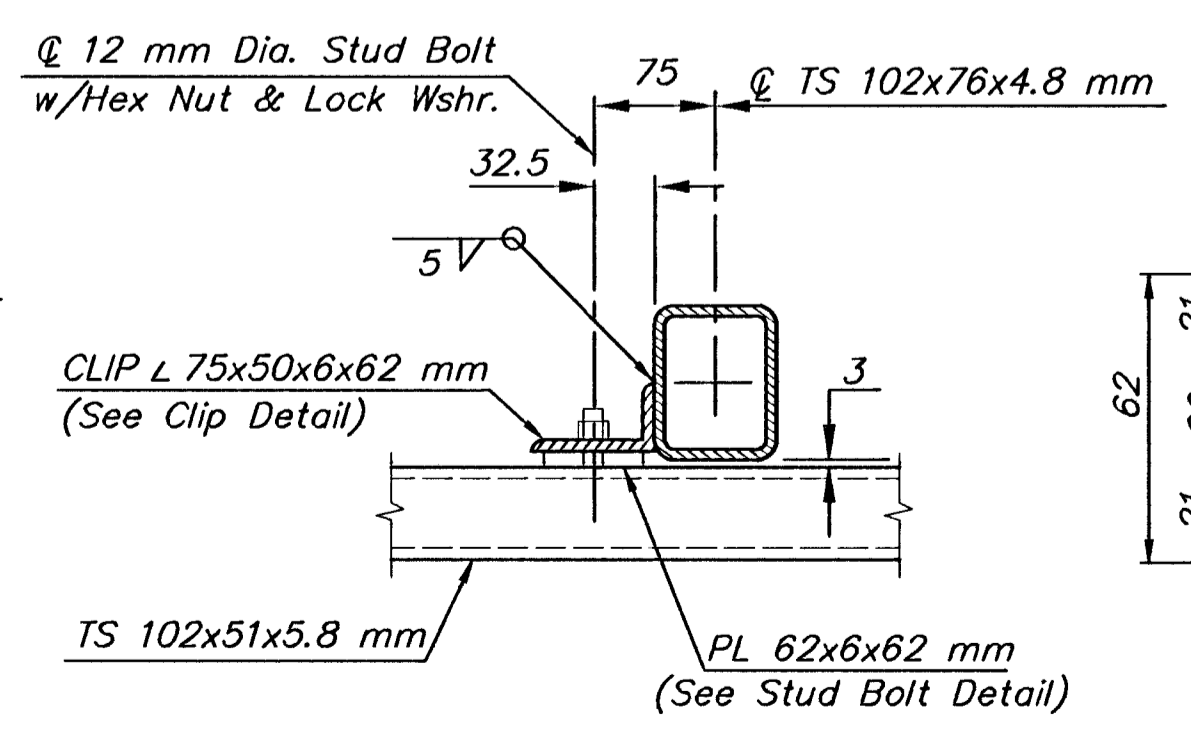


BENDING DIAGRAM

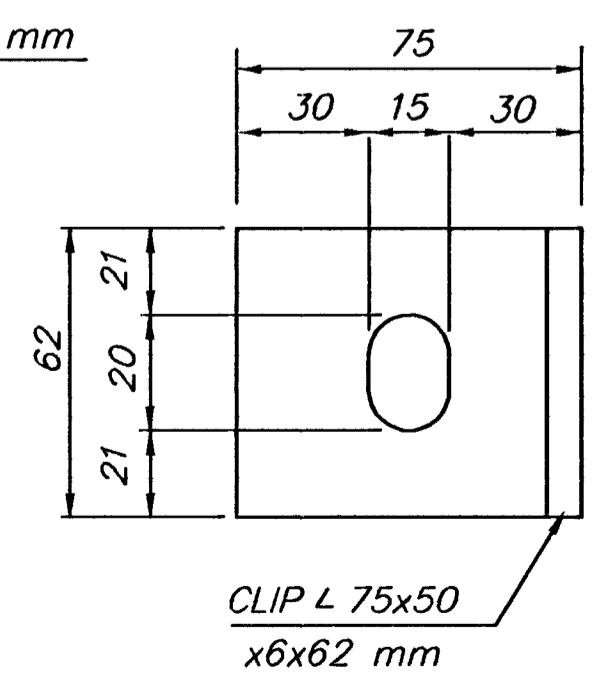
CONCRETE END POST DETAIL



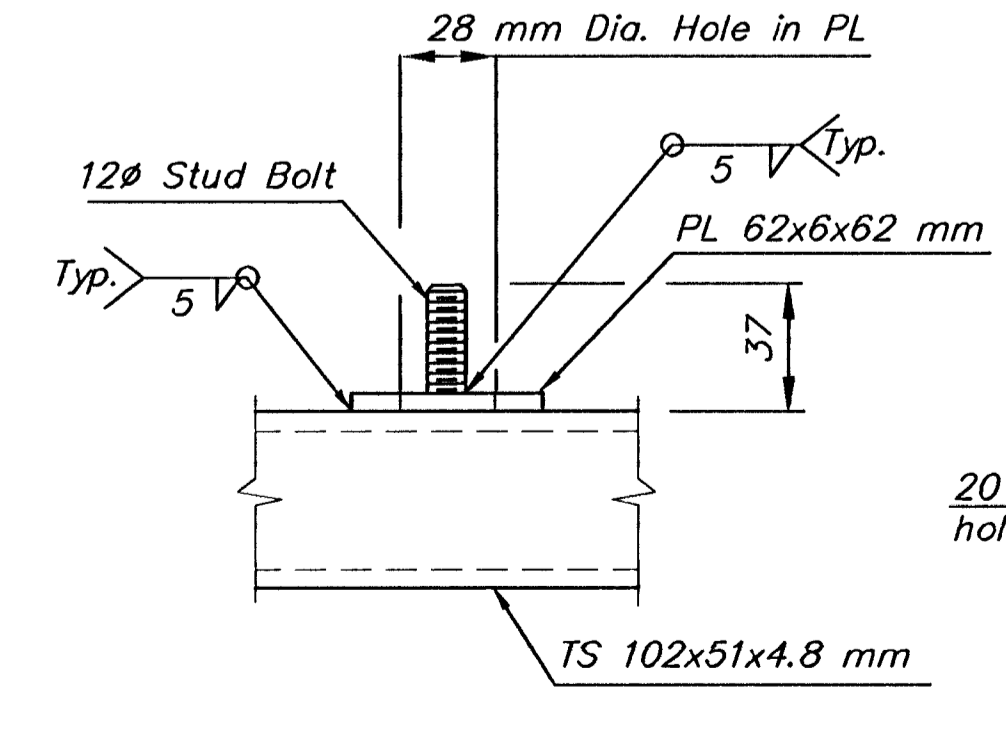
TYPICAL RAIL SPLICE DETAIL SECTION THRU SLEEVE
(Bottom Rail Shown, Top Rail Similar)



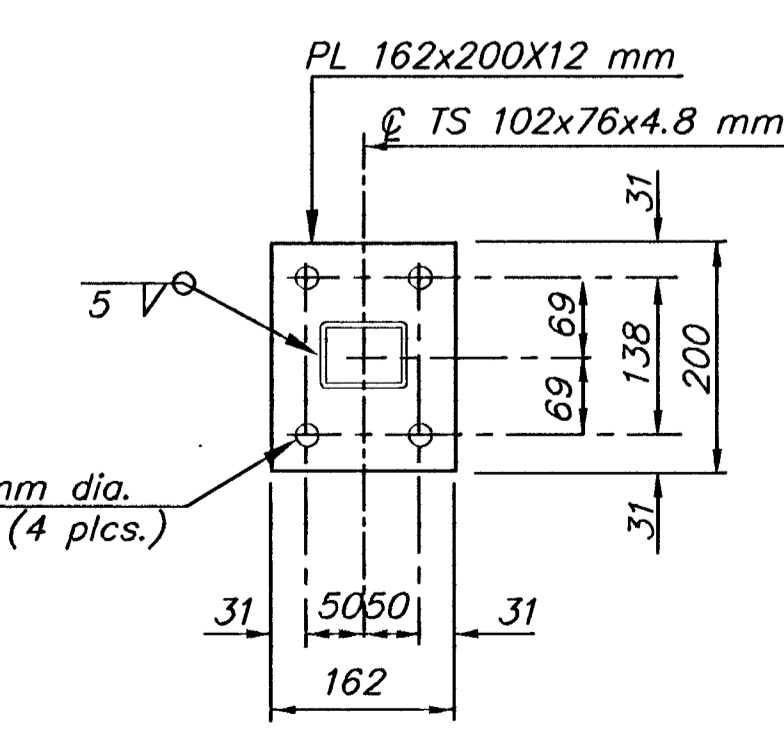
RAIL CONNECTION TO POST DETAIL



CLIP DETAIL



STUD BOLT DETAIL



BASE PLATE DETAIL

2					
1					
NO.	DATE	REVISIONS	BY	APP'D	
KANSAS DEPARTMENT OF TRANSPORTATION					
BR. NO. 530400870GC1020			STA. 1+450.20		
BRIDGE HANDRAIL DETAIL					
PROJ. NO. 87 N-0088-01			SEDGWICK CO.		
MID-KANSAS ENGINEERING CONSULTANTS, INC.					
WICHITA, KANSAS					
DESIGNED BY:	KJS, PAF	CHECKED BY:	MDK		
DRAWN BY:	DPG, MLW	DATE:	11-19-98	SHEET	OF