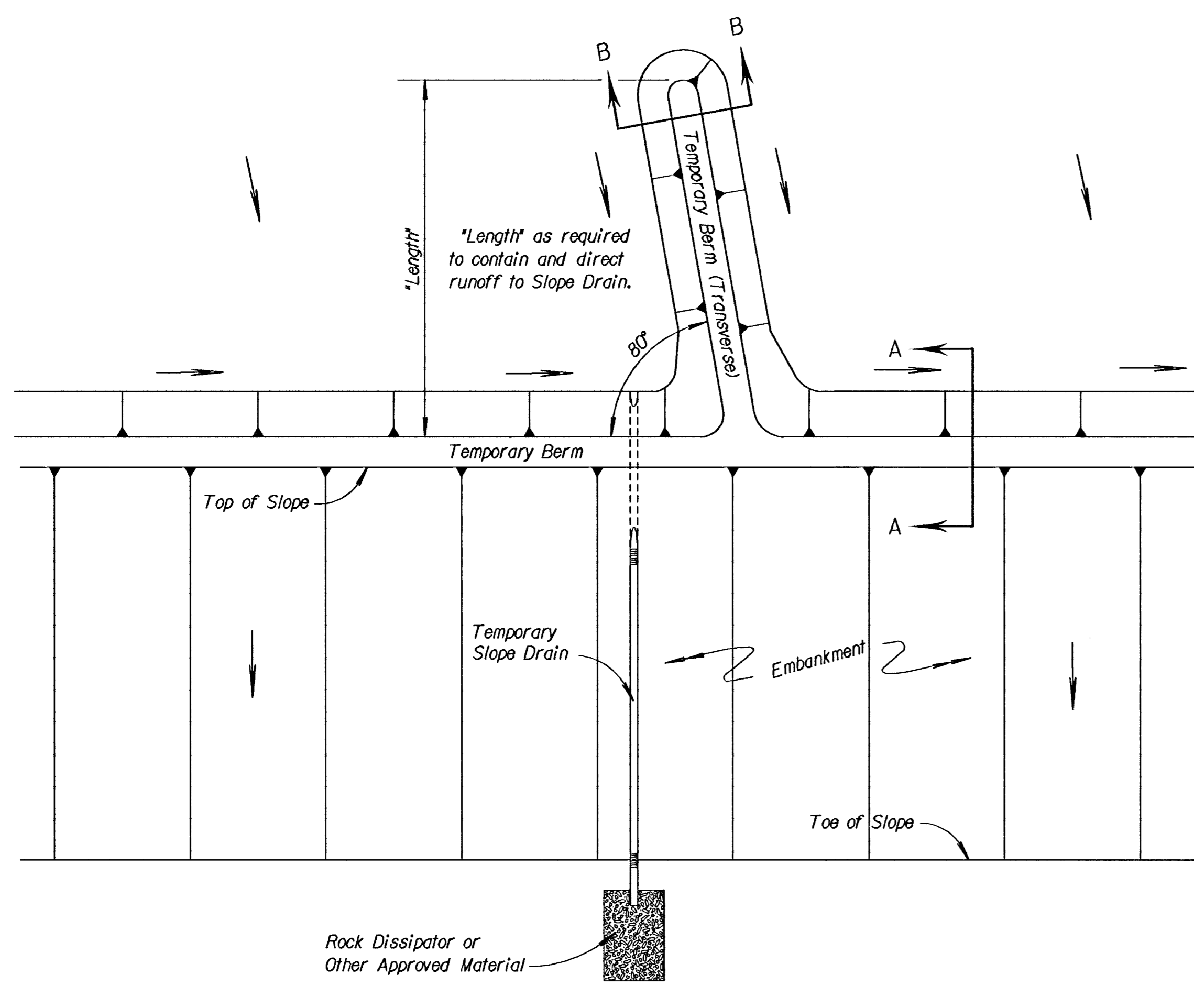
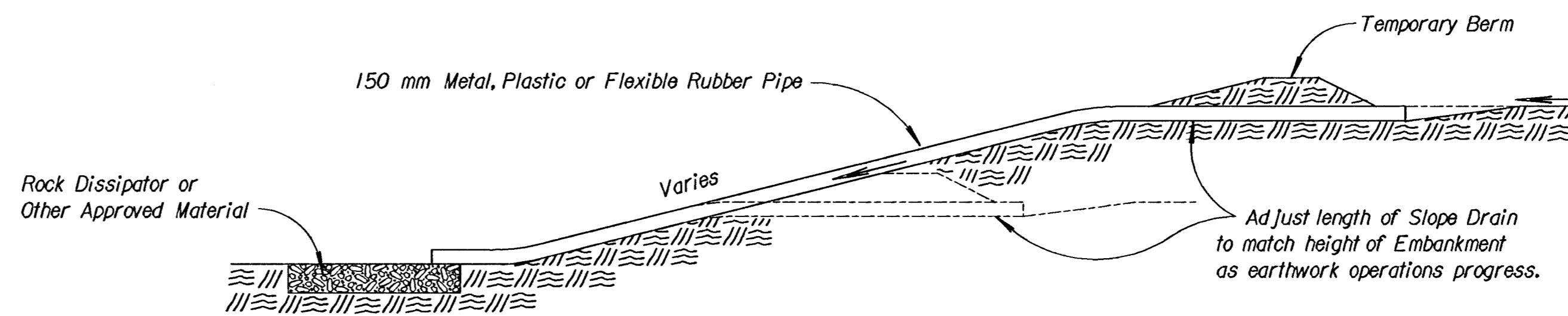


FHWA REGION NO.	STATE	PROJECT NO.	YEAR	SHEET NO.	TOTAL SHEETS
7	KANSAS	87 N-0088-01	1999	26	38

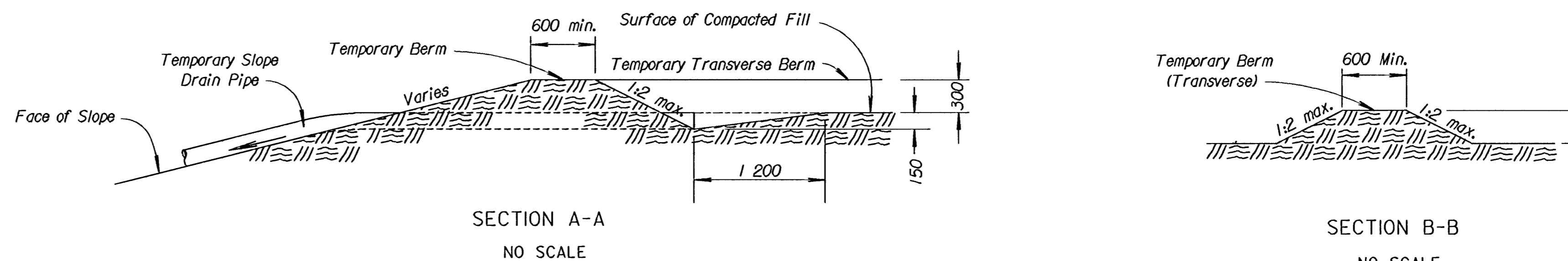
- NOTES:
- 1) Temporary Slope Drain and Temporary Berm may be used on either project foreslopes or project backslopes.
 - 2) Discharge of Slope Drains shall be into stabilized ditch or area, or into Sediment Basin.
 - 3) Pipe shall be secured in place as approved by Engineer.



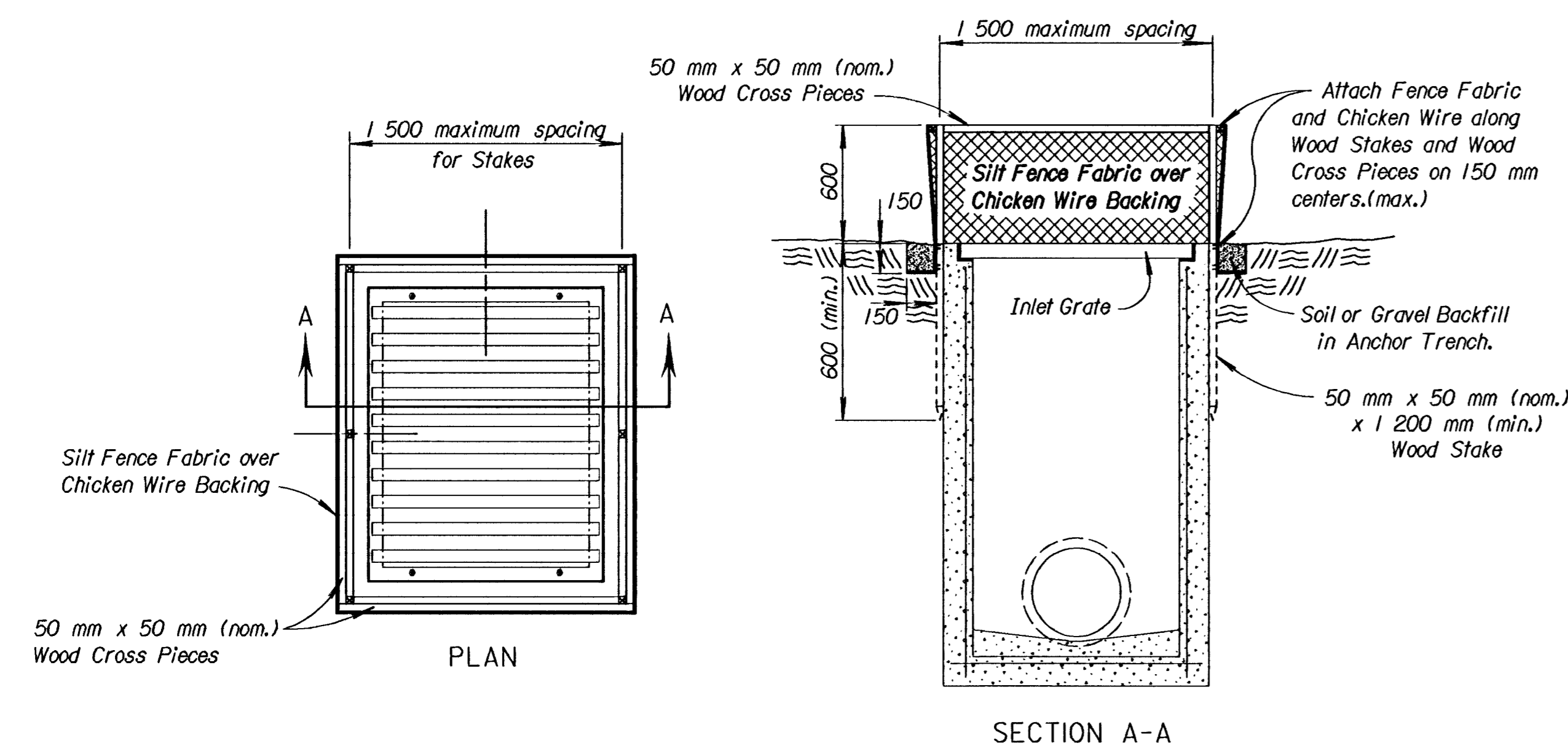
TYPICAL PLAN VIEW OF TEMPORARY BERM AND TEMPORARY SLOPE DRAIN
NO SCALE



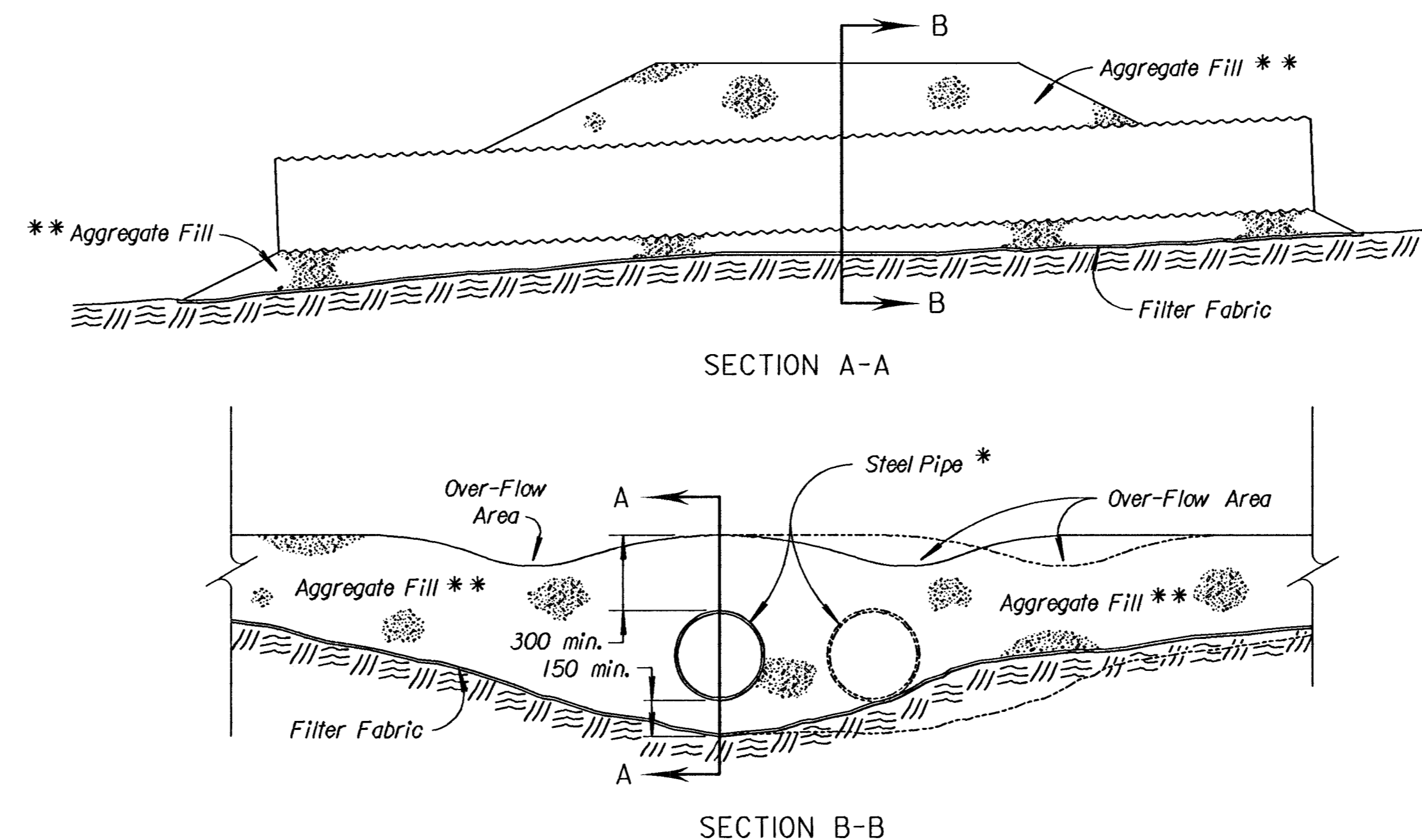
TYPICAL PROFILE OF TEMPORARY SLOPE DRAIN
NO SCALE



TYPICAL PROFILE OF TEMPORARY BERM
NO SCALE



TEMPORARY INLET SEDIMENT BARRIER
NO SCALE



TEMPORARY STREAM CROSSING
NO SCALE

- * NOTE:
Quantity, length and diameter of steel pipe to be determined by design flow calculations.
- ** NOTE:
Alternate fill material may be used upon the approval of the Bureau of Construction and Maintenance, Field Construction Engineer.

NO.	DATE	REVISIONS	BY	APP'D
3				
2	3/17/97	Revised Temp. Stream Crossing	WCL	RDR
1	7-5-95	Convert to SI	WCL	RDR

KANSAS DEPARTMENT OF TRANSPORTATION				
TEMPORARY PROJECT WATER POLLUTION CONTROL				
TEMPORARY SLOPE DRAIN; STREAM CROSSING; INLET SEDIMENT BARRIER				
LA852C SI				
F.H.W.A. APPROVAL	4/02/97	APP'D	Richard D. Ross	
DESIGNED	WCL	DETAILED	WCL	QUANTITIES
DESIGN CK.	RDR	DETAIL CK.	WCL	QUAN.CK.
			TRACED	DAK
			TRACE CK.	WCL

Drawn By: \$\$\$USERNAME\$\$\$
 DGN File: \$\$\$DGNFILE\$\$\$
 Plotted: \$\$\$SYTIME\$\$\$ View= PLOT 1