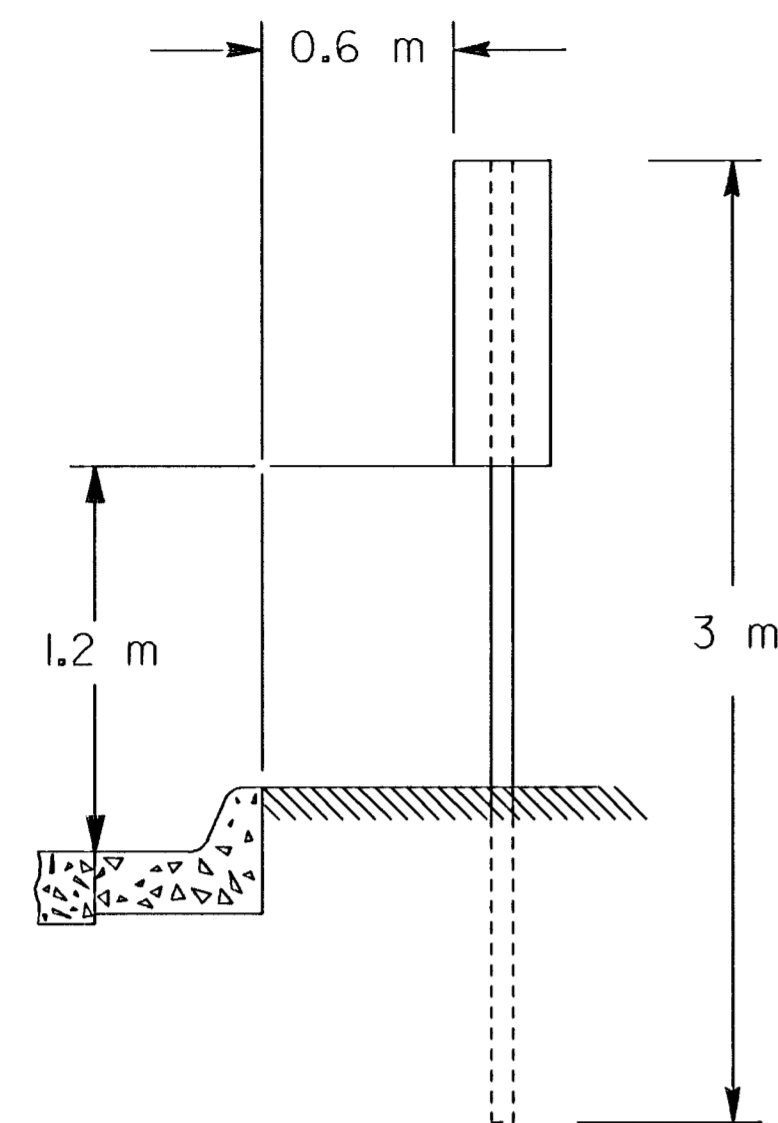
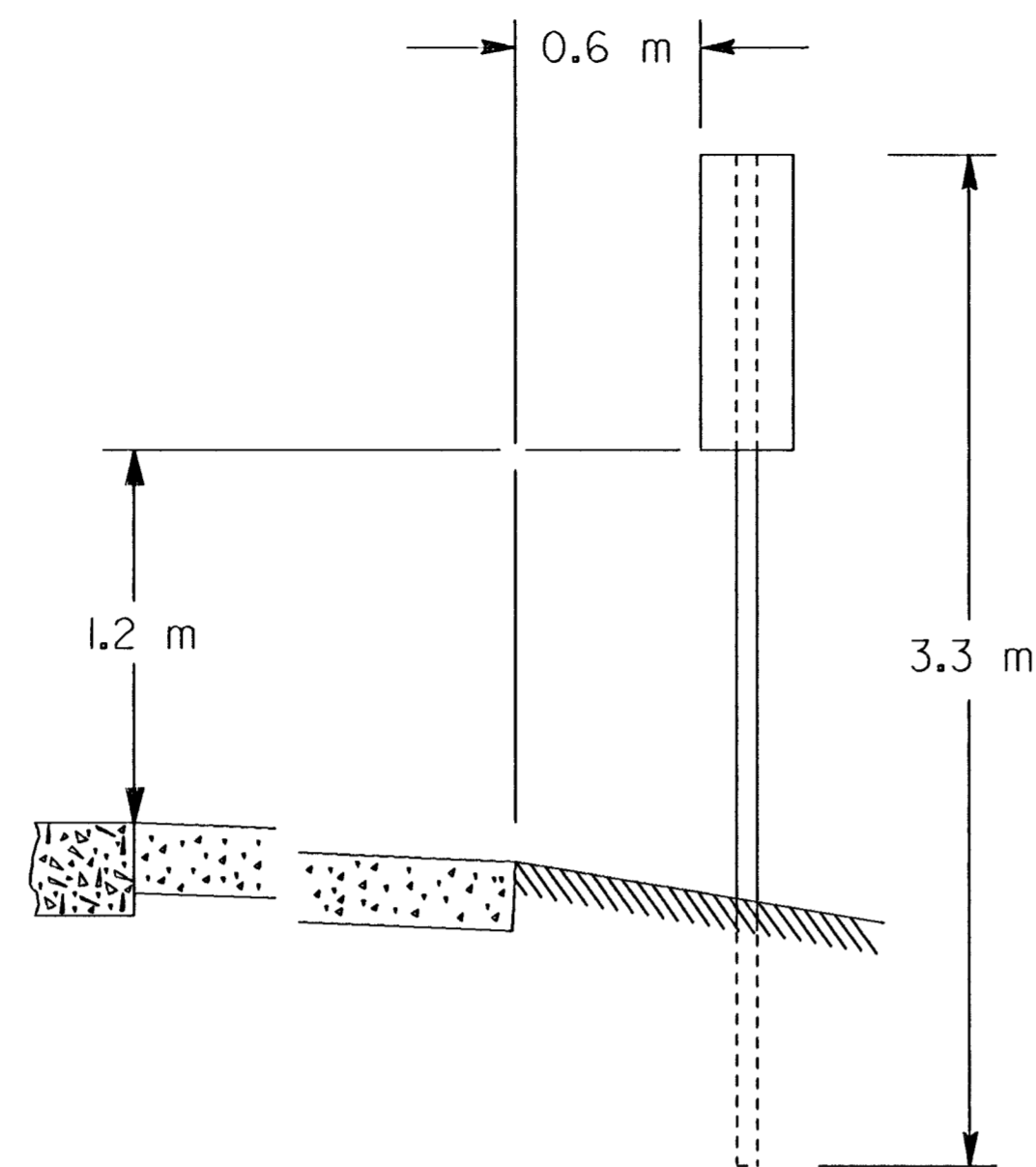


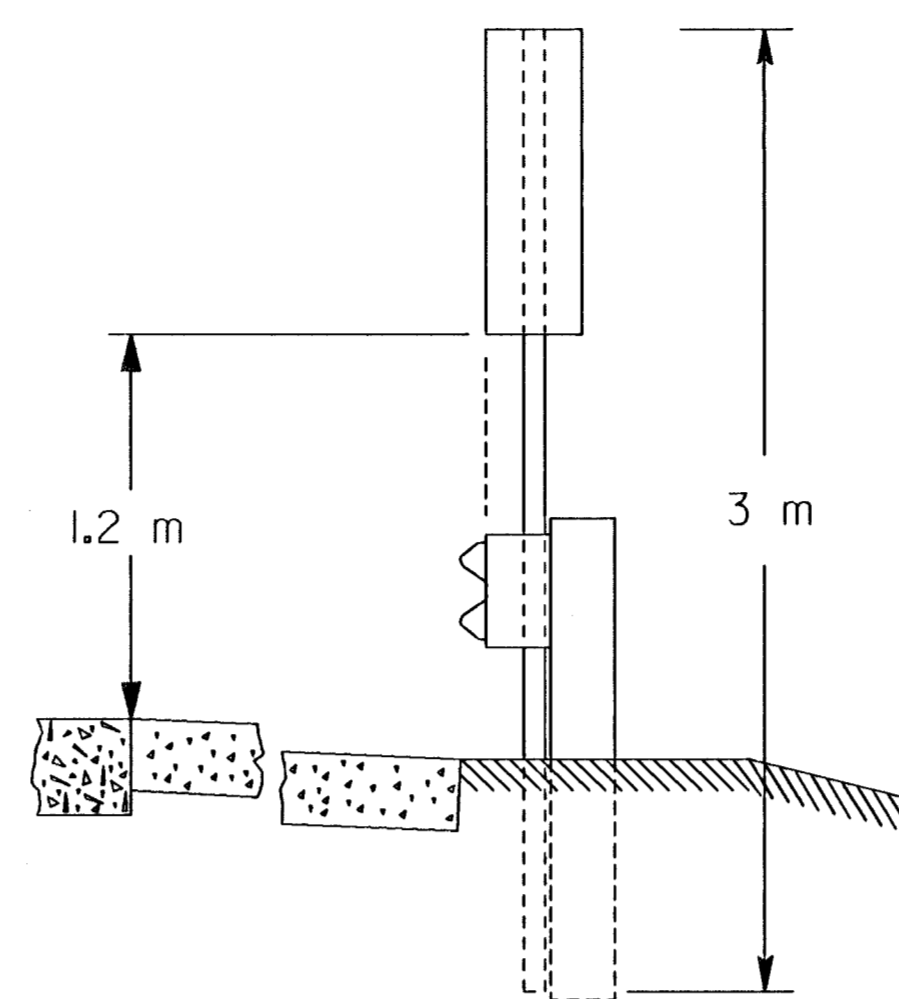
FHWA REGION NO.	STATE	PROJECT NO.	YEAR	SHEET NO.	TOTAL SHEETS
7	KANSAS	87 N-0088-01	1999	31	38



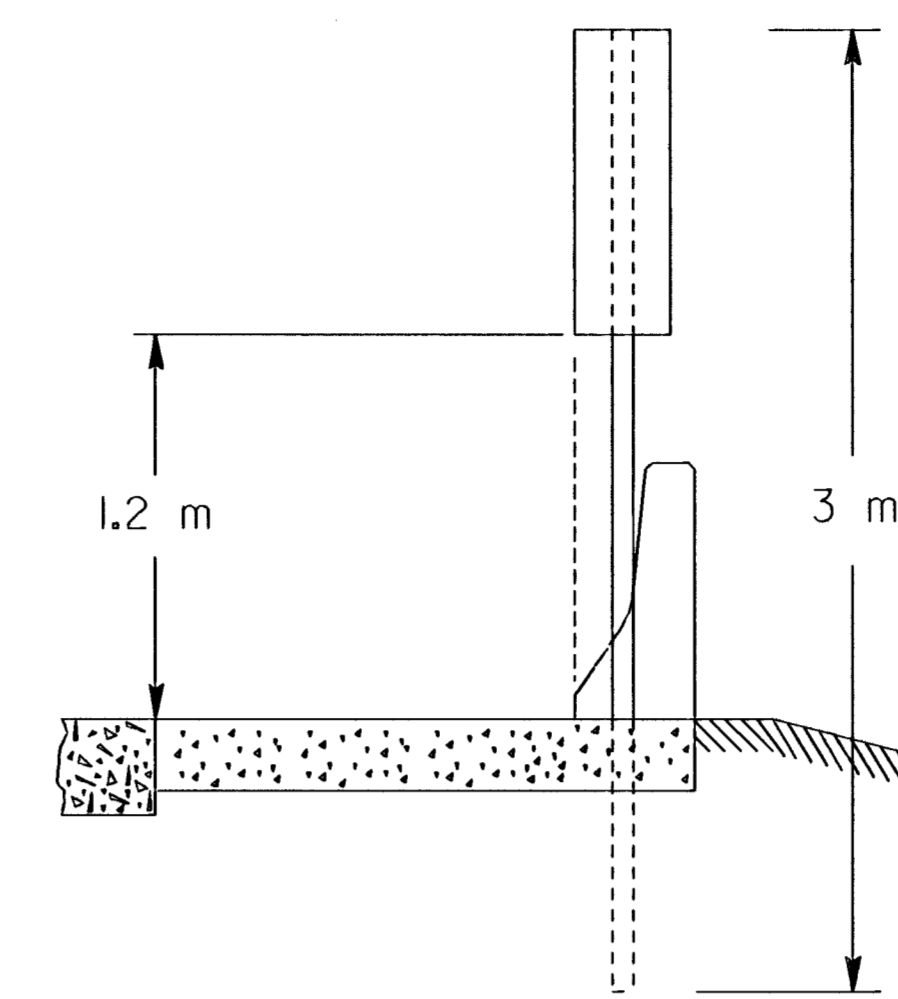
CURB SECTION



SHOULDER SECTION



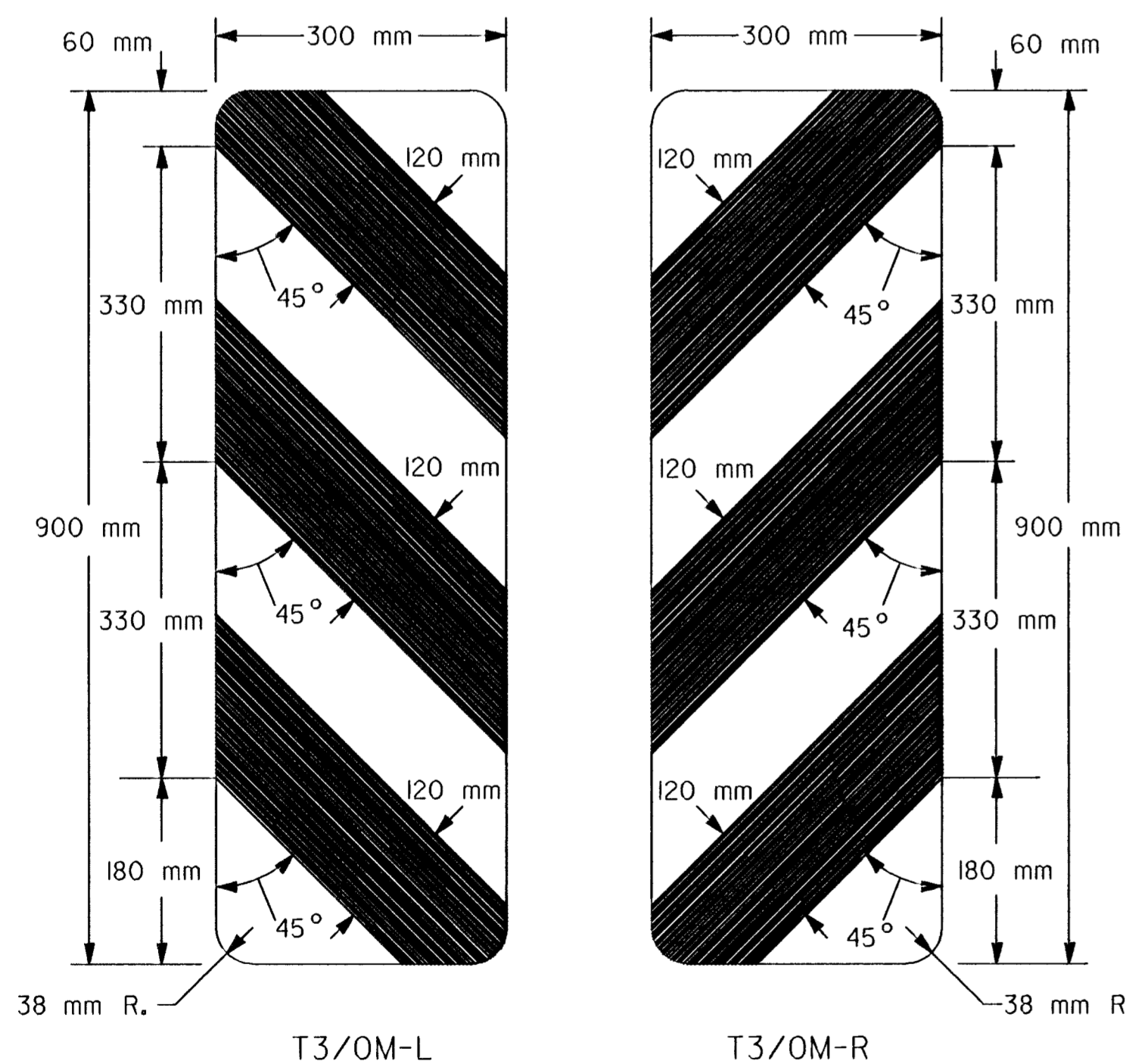
GUARD FENCE SECTION



BRIDGE OR CULVERT SECTION

NOTE: The object marker shall be placed a maximum of 1.05 m away from the structure end.

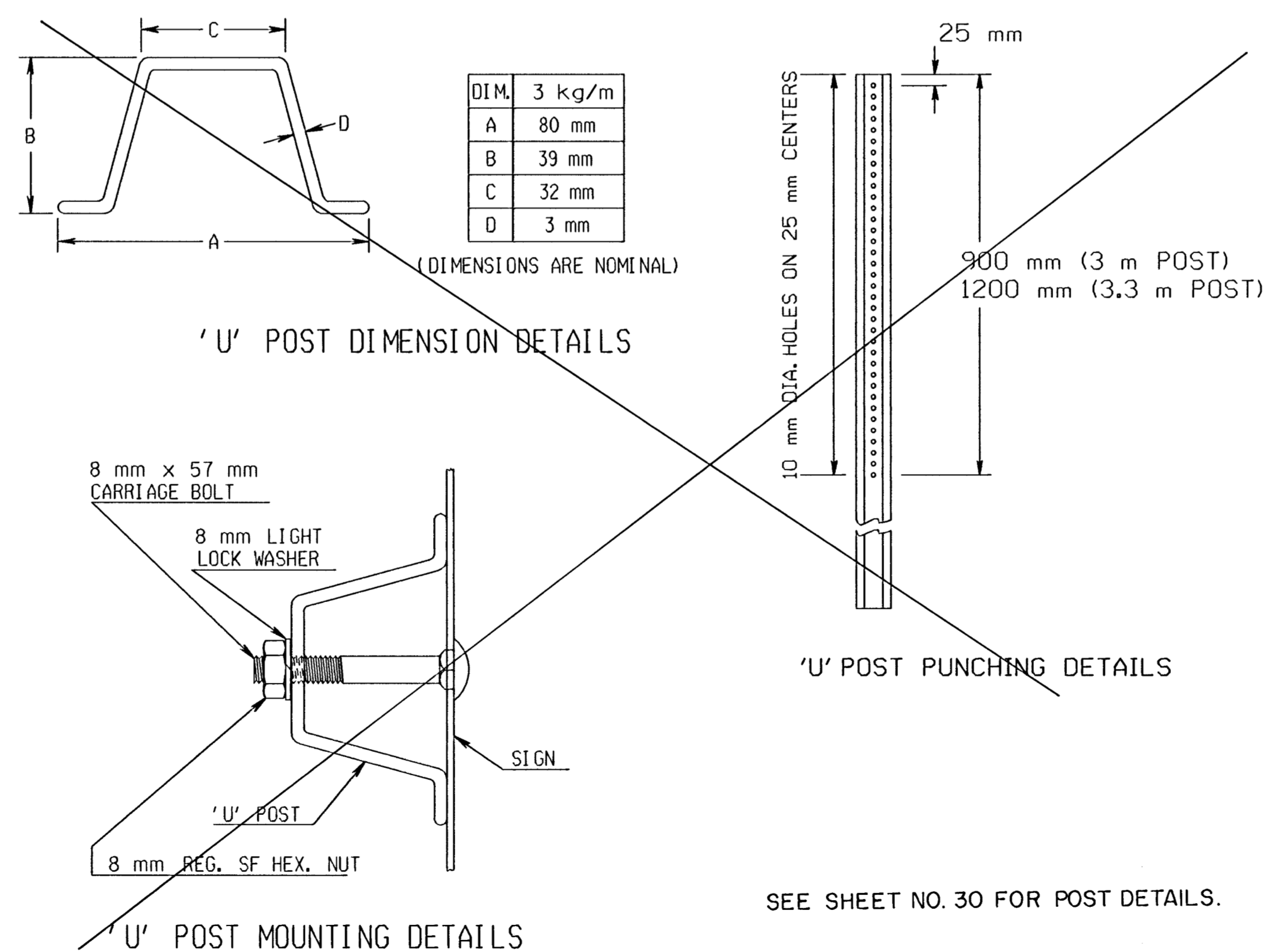
TYPICAL POSITIONING OF TYPE 3 OBJECT MARKER



T3/OM-L

T3/OM-R

COLORS:  
 □ YELLOW (RETROREFLECTIVE)  
 ■ BLACK (NON-REFLECTIVE)



'U' POST DIMENSION DETAILS

'U' POST PUNCHING DETAILS

'U' POST MOUNTING DETAILS

SEE SHEET NO. 30 FOR POST DETAILS.

FLAT SHEET OBJECT MARKERS

See flat sheet sign blank detailsheets for aluminum alloys and thickness required.

The Type 3 object marker sign face shall be covered with high performance yellow retroreflective sheeting.

The type of adhesive for retroreflective sheeting shall be heat activated or pressure sensitive.

STEEL "U" POSTS

The steel "U" post shall comply with Subsection 1620 of the Standard Specifications for State Road and Bridge Construction (1990 Edition).

FASTENING ACCESSORIES

All items of fastening accessories shall be Zinc or Cadum plated.

The carriage bolts, nuts, and washers shall comply with Subsection 1614 of the Standard Specifications for State Road and Bridge Construction (1990 Edition).

NO.	DATE	REVISION	BY	APP'D
3				
2	6/21/96	REMOVED BRIDGE OR CULVERT END TREATMENT	WPR	NAB
1	5/8/96	REMOVED GUARD FENCE STRUCTURE END TREATMENT	TCP	NAB

KANSAS DEPARTMENT OF TRANSPORTATION			
DESIGN, ASSEMBLY, AND POSITIONING			
DETAILS FOR			
TYPE 3 OBJECT MARKERS			
FE419SI-		2-4-93	
FHWA APPROVAL	8-1-96	APP'D	NELDA A. BUCKLEY
DESIGNED	KS	QUANTITIES	TRACED
DESIGN CK.	DETAL CK.	QUAN. CK.	TRACE CK.

Plotted By :   
 Plot File :   
 Plot Date :