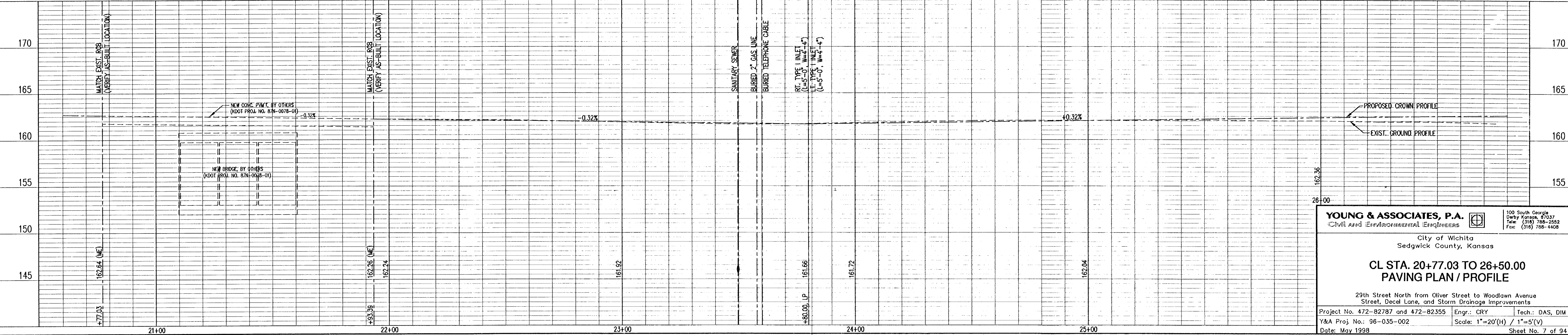
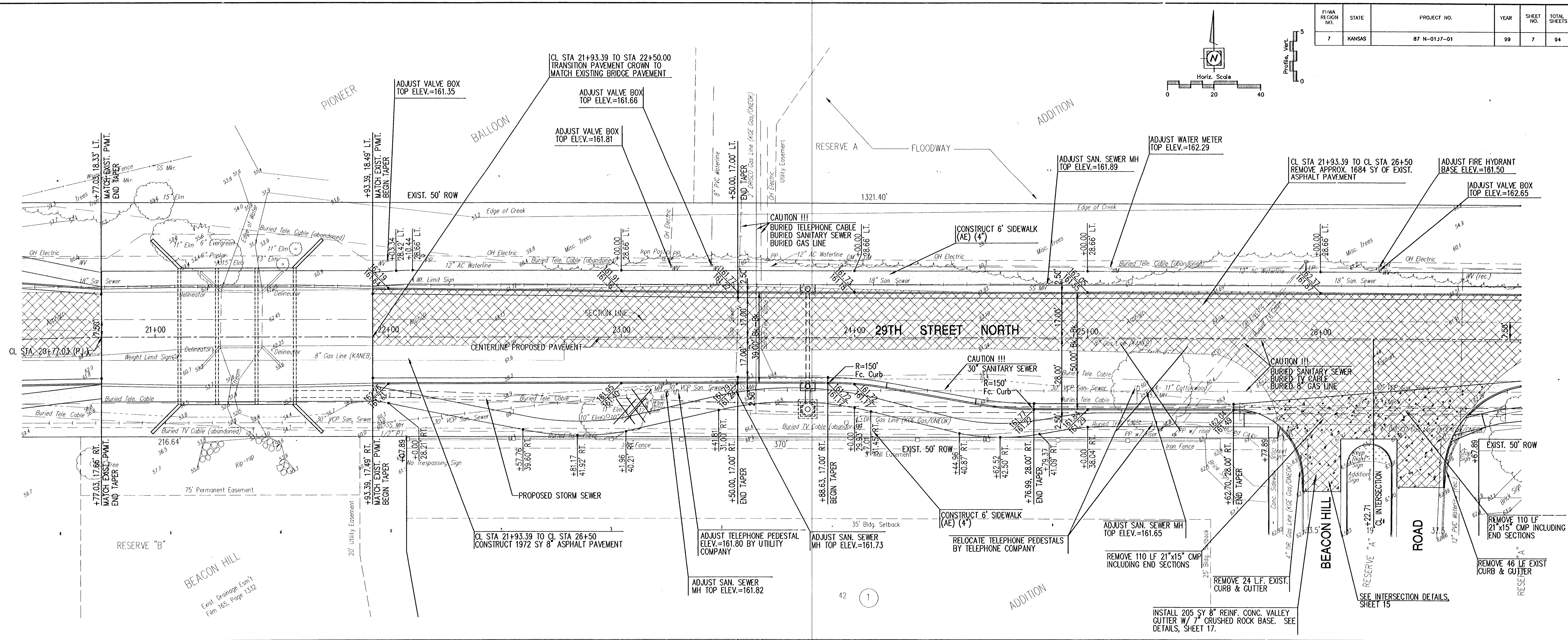
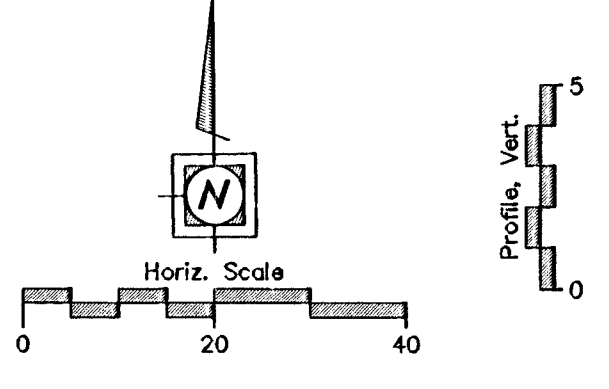


FHWA REGION NO.	STATE	PROJECT NO.	YEAR	SHEET NO.	TOTAL SHEETS
7	KANSAS	87 N-0137-01	99	7	94



**YOUNG & ASSOCIATES, P.A.**  
 CIVIL AND ENVIRONMENTAL ENGINEERS  
 100 South Georgia  
 Derby, Kansas, 67037  
 Phone: (316) 788-2550  
 Fax: (316) 788-4408

City of Wichita  
 Sedgwick County, Kansas

**CL STA. 20+77.03 TO 26+50.00**  
**PAVING PLAN / PROFILE**

29th Street North from Oliver Street to Woodlawn Avenue  
 Street, Decel Lane, and Storm Drainage Improvements

Project No. 472-82787 and 472-82355 Engr.: ORY Tech.: DAS, DIM  
 Y&A Proj. No.: 96-035-002 Scale: 1"=20'(H) / 1"=5'(V)  
 Date: May 1998 Sheet No. 7 of 94

FILE: P:\D\031.dwg PLOT: 5-17-99 4:50:10 PM 14 5/24/99 P=207