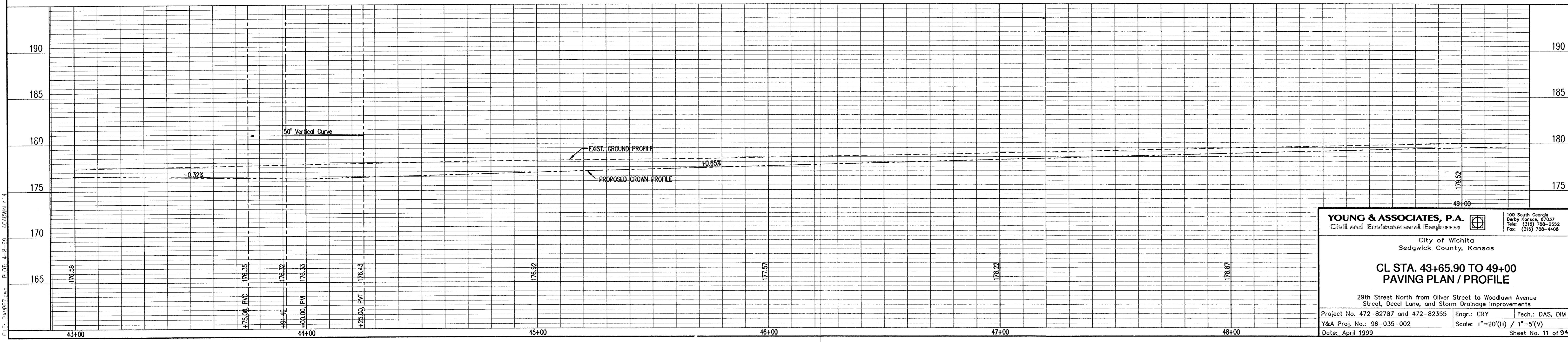
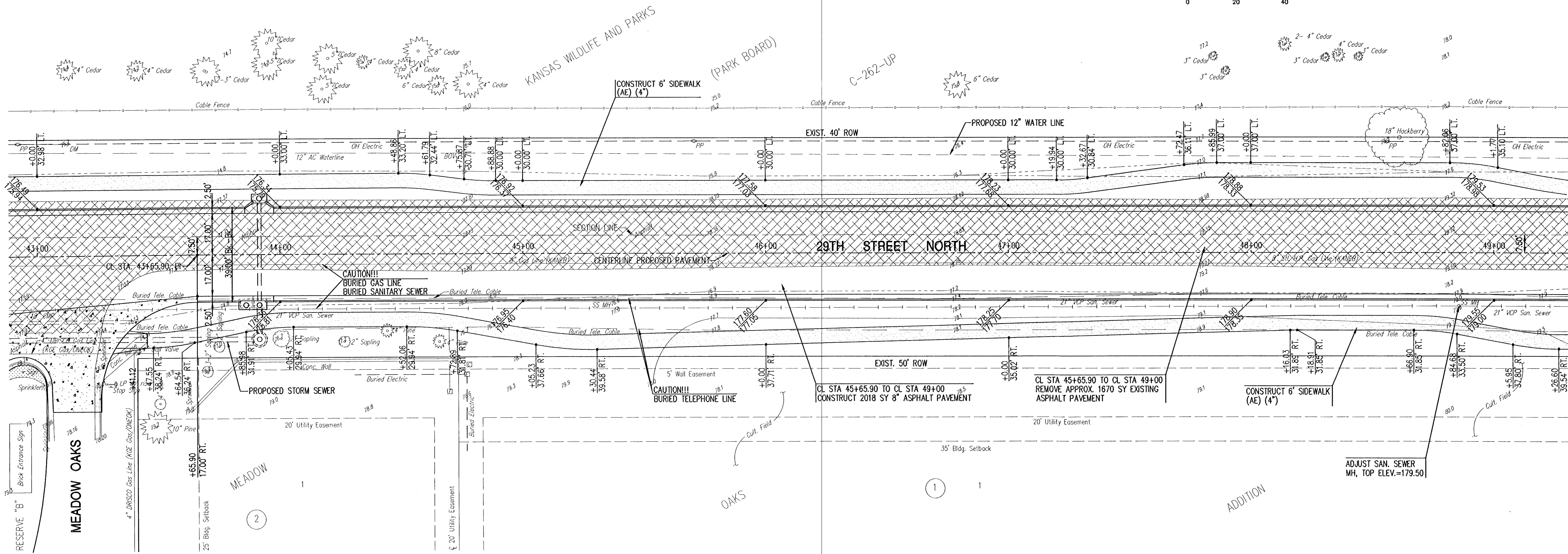
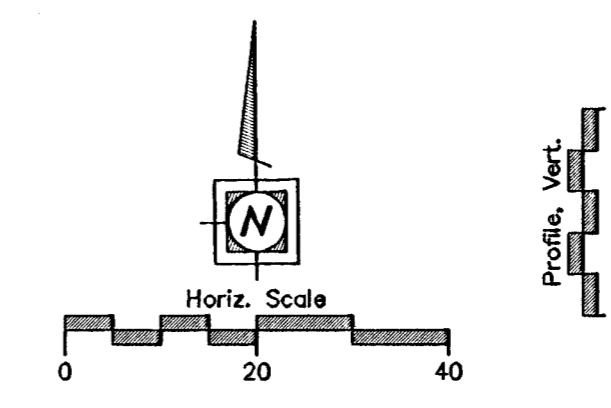


FEMA REGION NO.	STATE	PROJECT NO.	YEAR	SHEET NO.	TOTAL SHEETS
7	KANSAS	87 N-0137-01	99	11	94



**YOUNG & ASSOCIATES, P.A.**  
 Civil and Environmental Engineers

100 South George  
 Derby Kansas, 67037  
 Phone (316) 788-2552  
 Fax (316) 788-4498

City of Wichita  
 Sedgwick County, Kansas

**CL STA. 43+65.90 TO 49+00  
 PAVING PLAN / PROFILE**

29th Street North from Oliver Street to Woodlawn Avenue  
 Street, Decal Lane, and Storm Drainage Improvements

Project No. 472-82787 and 472-82355 Engr.: CRY Tech.: DAS, DIM  
 Y&A Proj. No.: 96-035-002 Scale: 1"=20'(H) / 1"=5'(V)  
 Date: April 1999 Sheet No. 11 of 94

FILE: PAVP27.dwg PLOT: 4-8-99 AC:DWG11.14