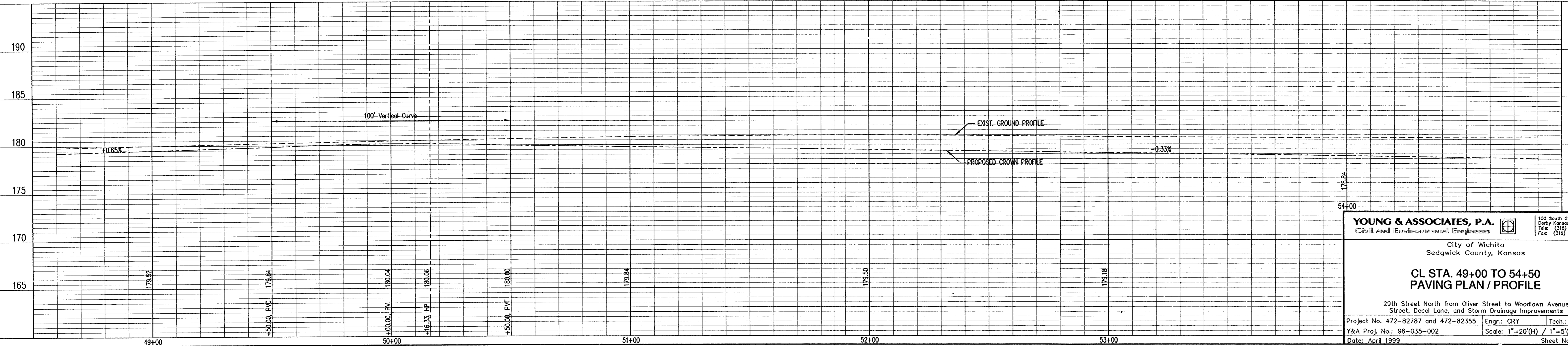
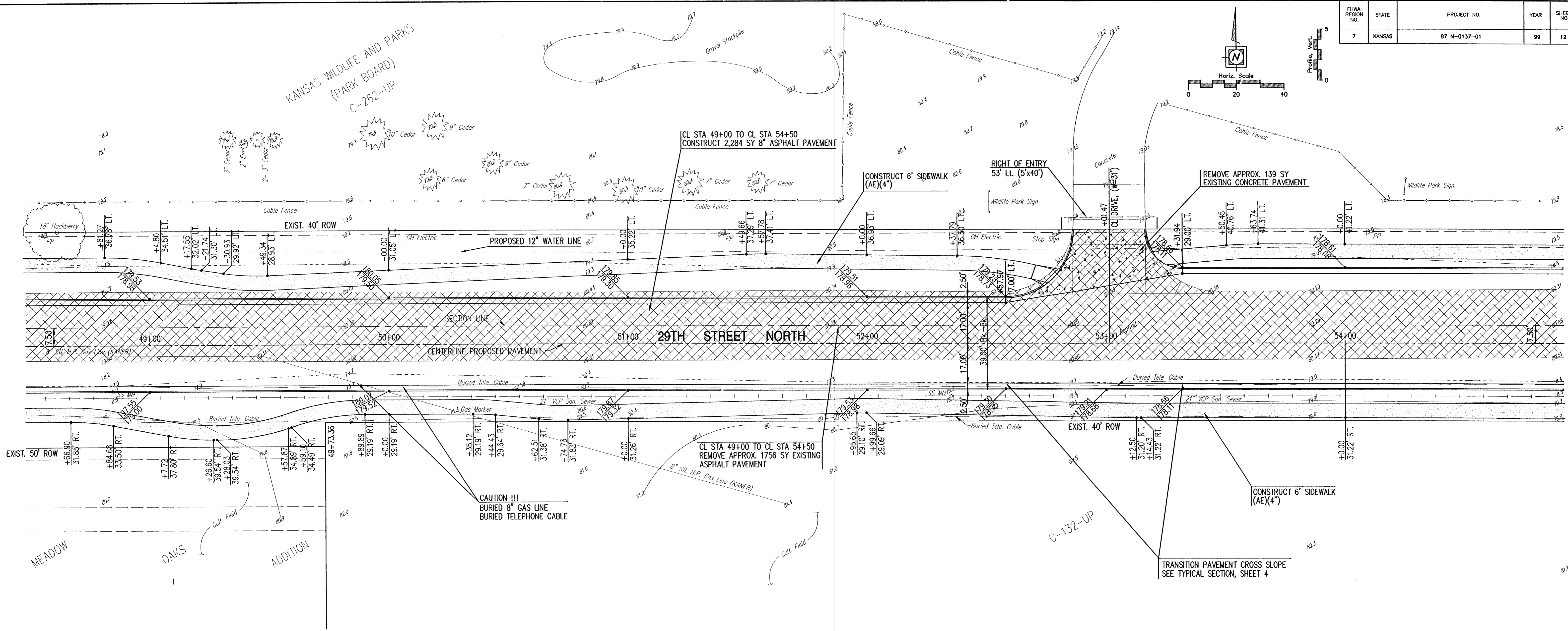
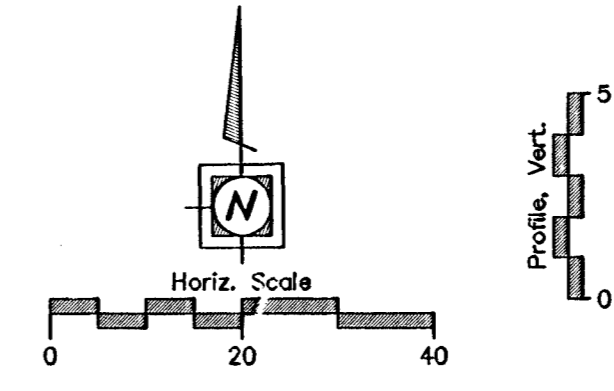


FHWA REGION NO.	STATE	PROJECT NO.	YEAR	SHEET NO.	TOTAL SHEETS
7	KANSAS	87 N-0137-01	99	12	34

KANSAS WILDLIFE AND PARKS
(PARK BOARD)
C-262-UP



YOUNG & ASSOCIATES, P.A.
Civil and Environmental Engineers

100 South George
Dorcy, Kansas, 67037
Tel: (316) 788-2552
Fax: (316) 788-4409

City of Wichita
Sedgwick County, Kansas

**CL STA. 49+00 TO 54+00
PAVING PLAN / PROFILE**

29th Street North from Oliver Street to Woodlawn Avenue
Street, Decel Lane, and Storm Drainage Improvements

Project No. 472-82787 and 472-82355 Engr.: CRY Tech.: DAS, DIM
Y&A Proj. No.: 96-035-002 Scale: 1"=20'(H) / 1"=5'(V)
Date: April 1999 Sheet No. 12 of 24

FILE: PAVING.DWG PLOT: 4-8-99 AC-DWNN.r14