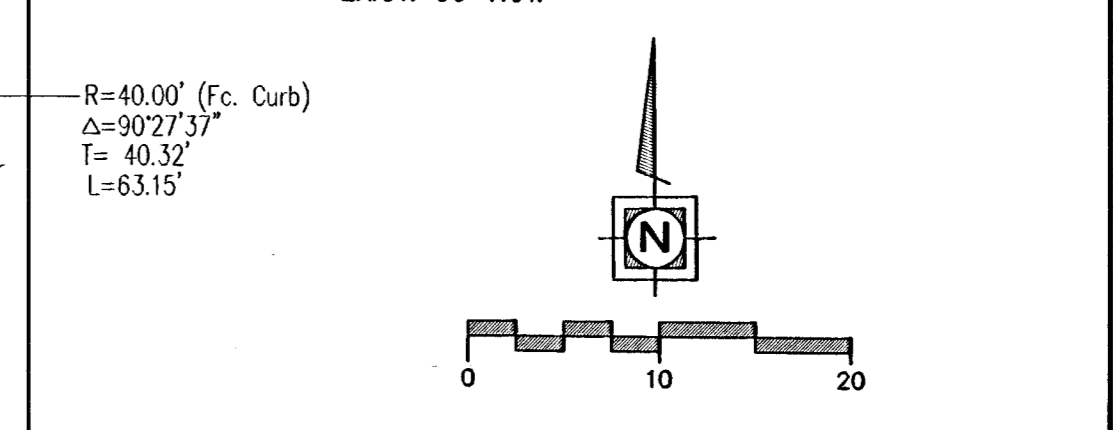
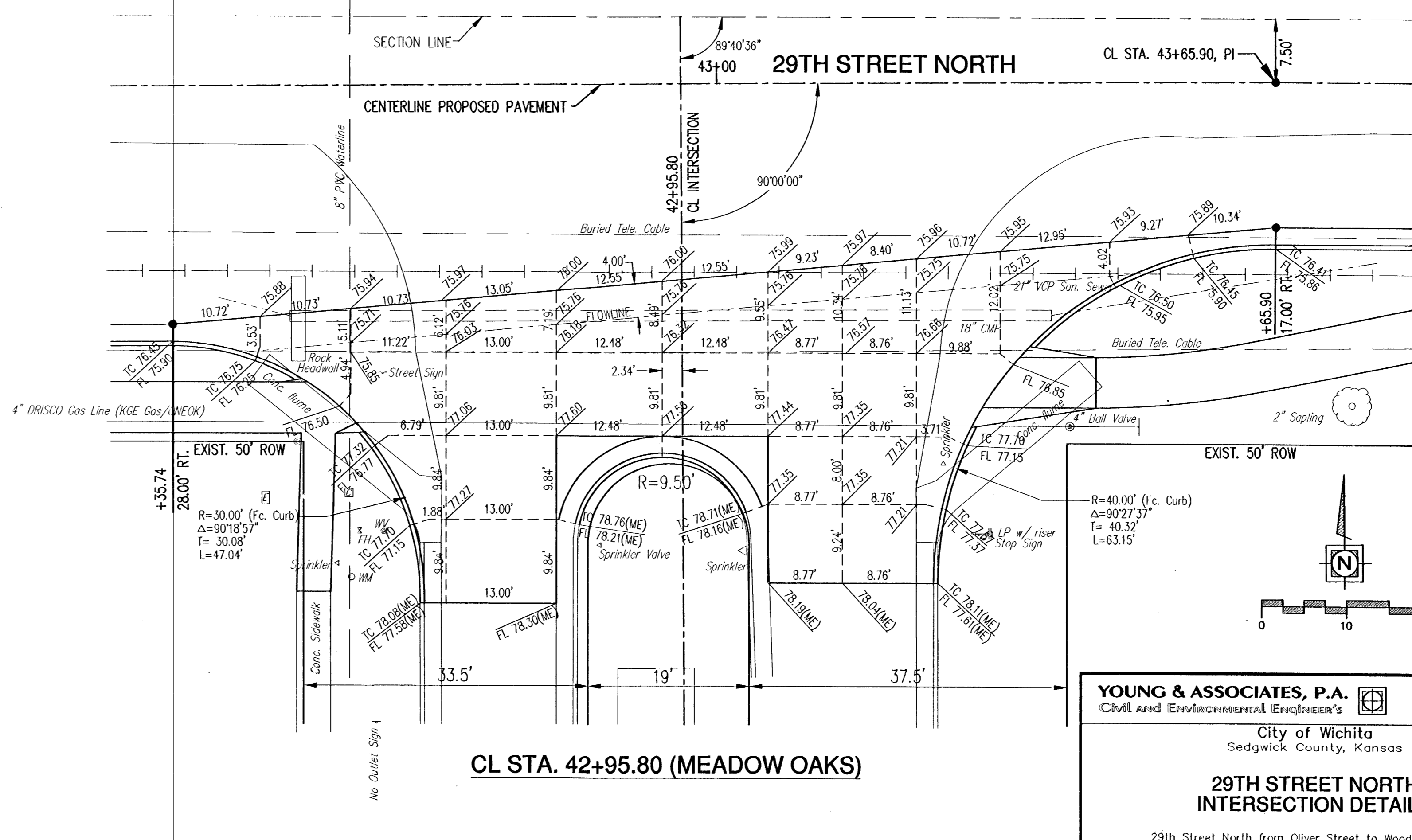
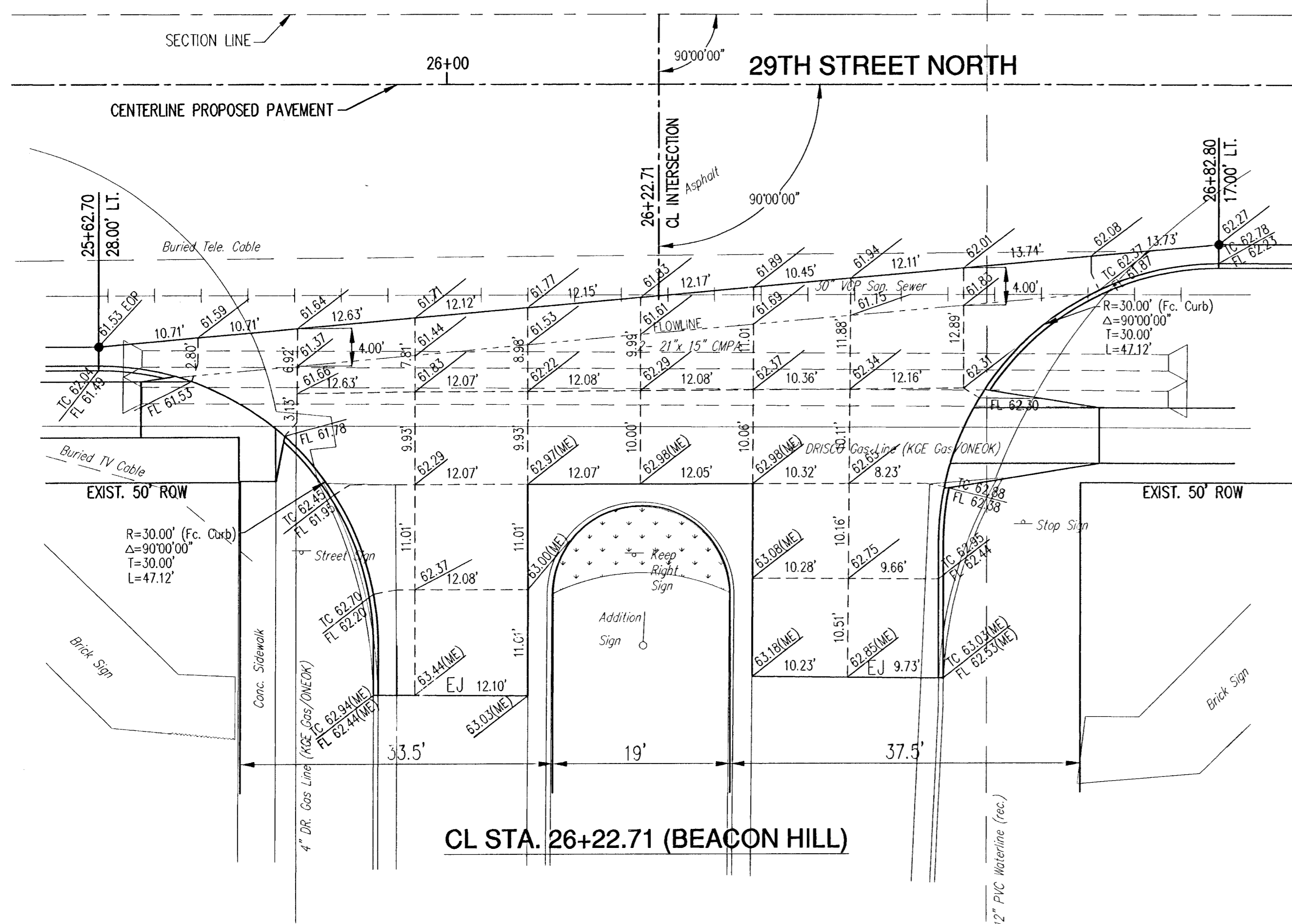
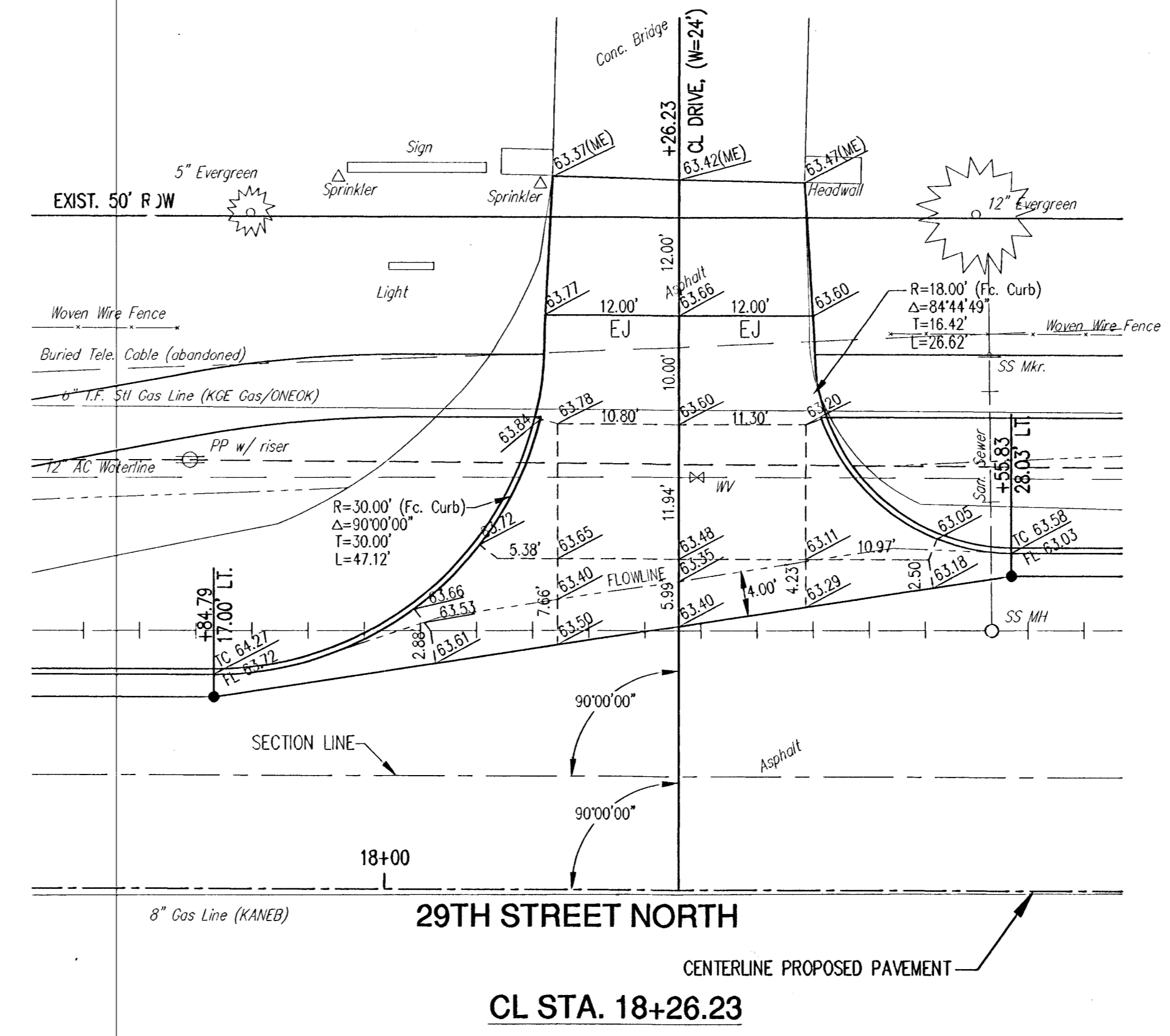
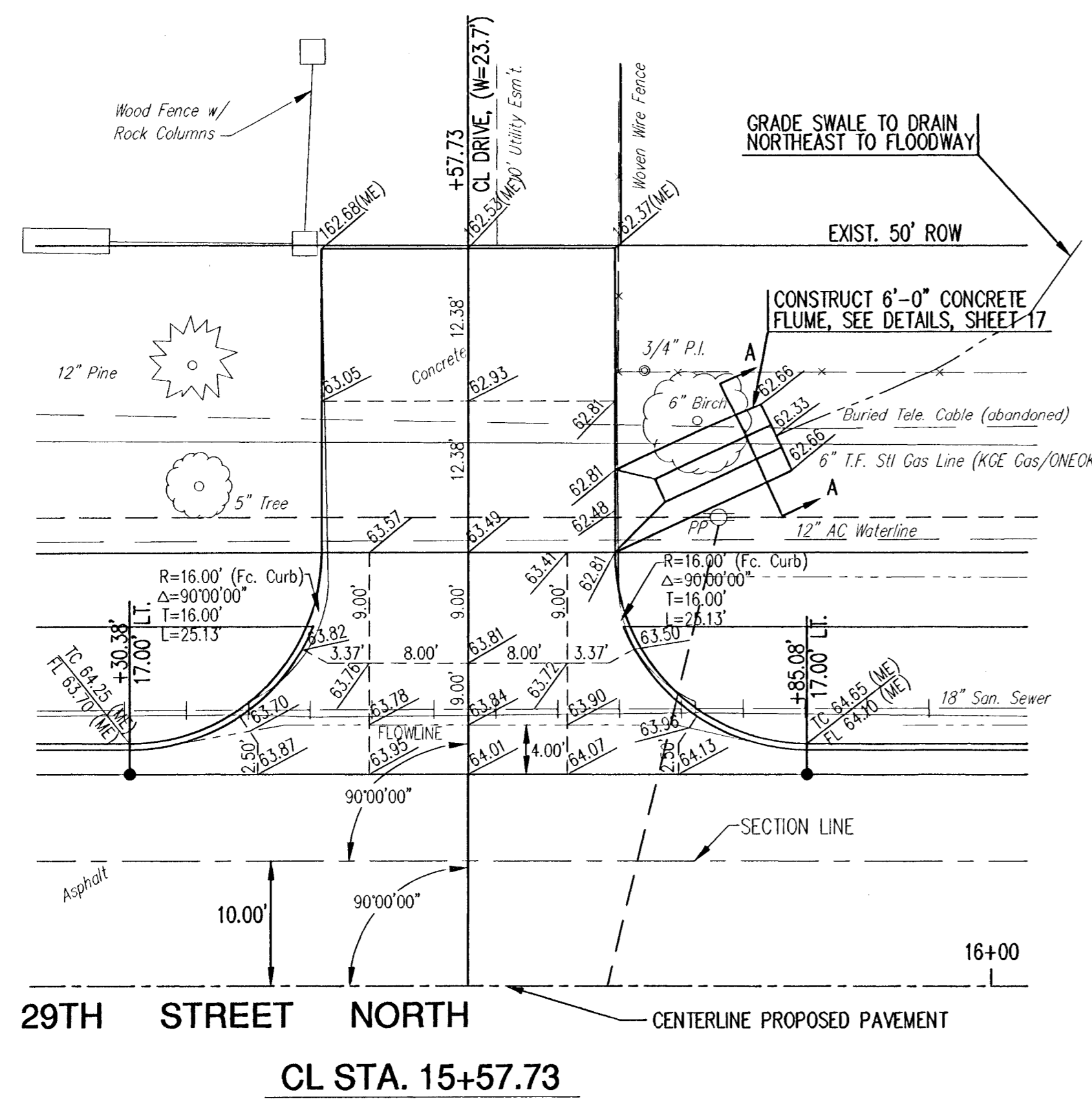


FHWA REGION NO.	STATE	PROJECT NO.	YEAR	SHEET NO.	TOTAL SHEETS
7	KANSAS	87 N-0137-01	99	15	94



YOUNG & ASSOCIATES, P.A.
 Civil and Environmental Engineers
 City of Wichita
 Sedgewick County, Kansas

29TH STREET NORTH INTERSECTION DETAILS

29th Street North from Oliver Street to Woodlawn Avenue
 Street, Decal Lane, and Storm Drainage Improvements

Project No. 472-82787 and 472-82355 Engr.: CRY Tech.: DAS, DIM
 Y&A Proj. No.: 96-035-002 Scale: 1"=10'
 Date: April 1999 Sheet No. 15 of 94

FILE: DRAWINGS.dwg PLOT: 4-8-99 ACCT:WIN-14