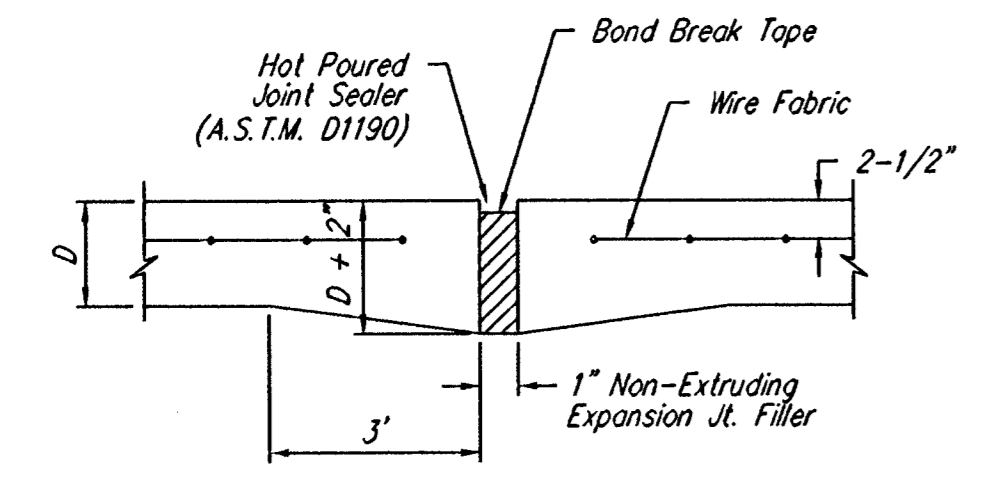
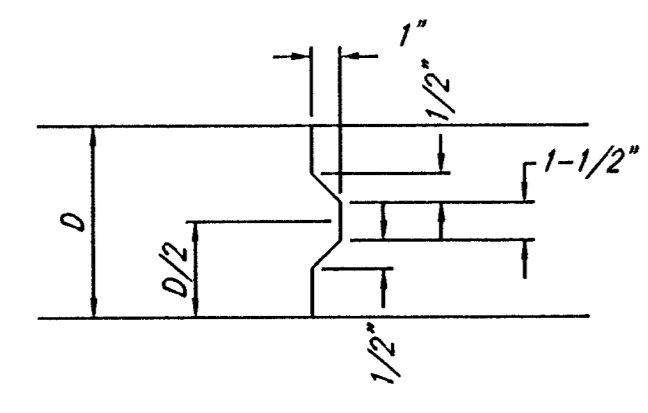


FH-A REC'D NO.	STATE	PROJECT NO.	YEAR	SHEET NO.	TOTAL SHEETS
	KANSAS	87-N-Q137-01	99	17	94

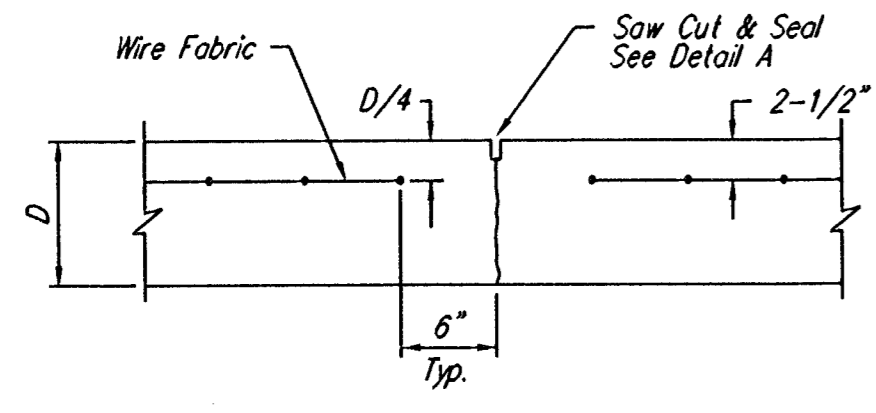


EXPANSION JOINT

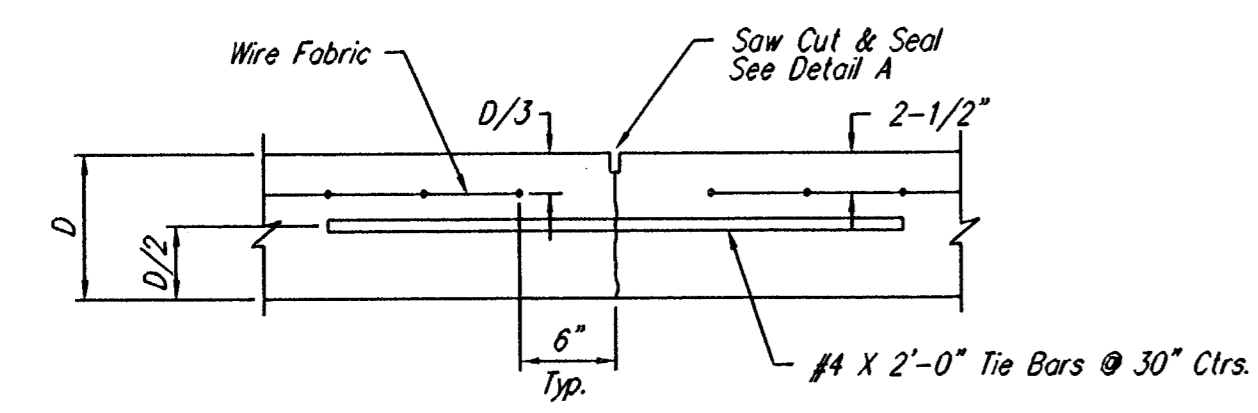
NOTE: Extra Thickness to be Subsidiary to Price of Square Yards Pavement



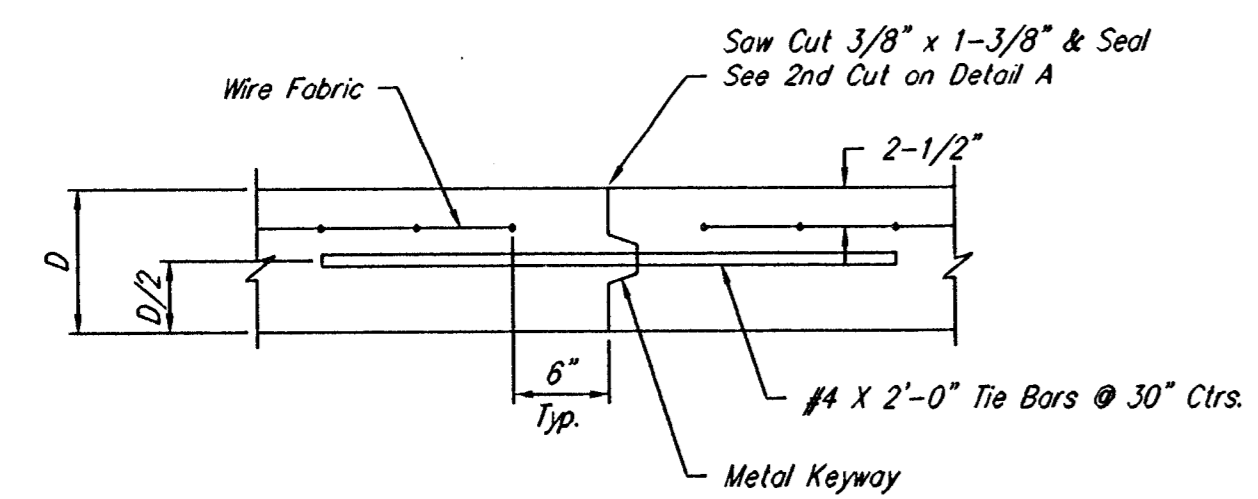
KEYWAY DETAIL



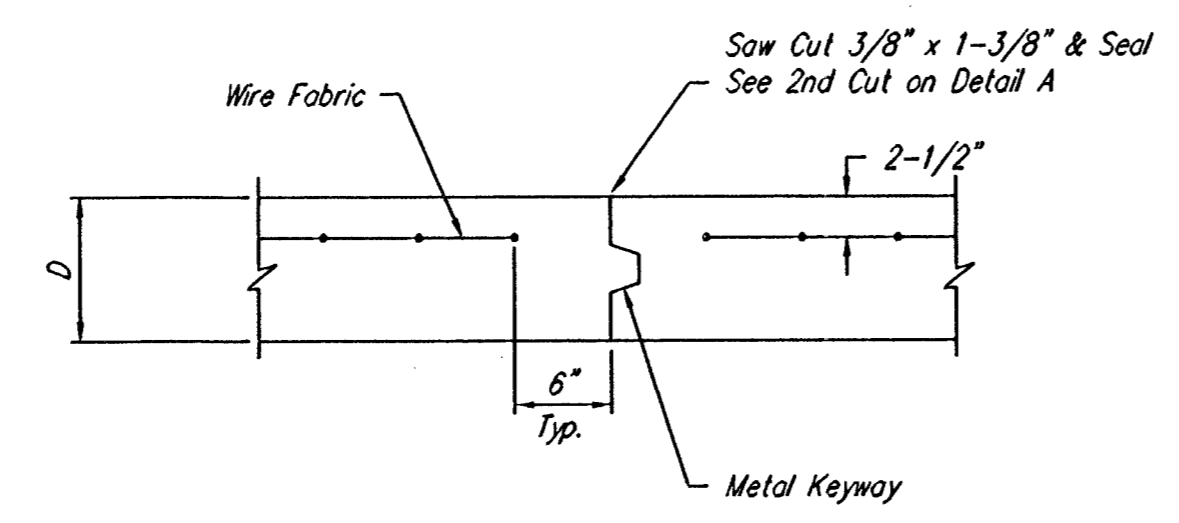
CONTRACTION JOINT DETAIL (C.J.)



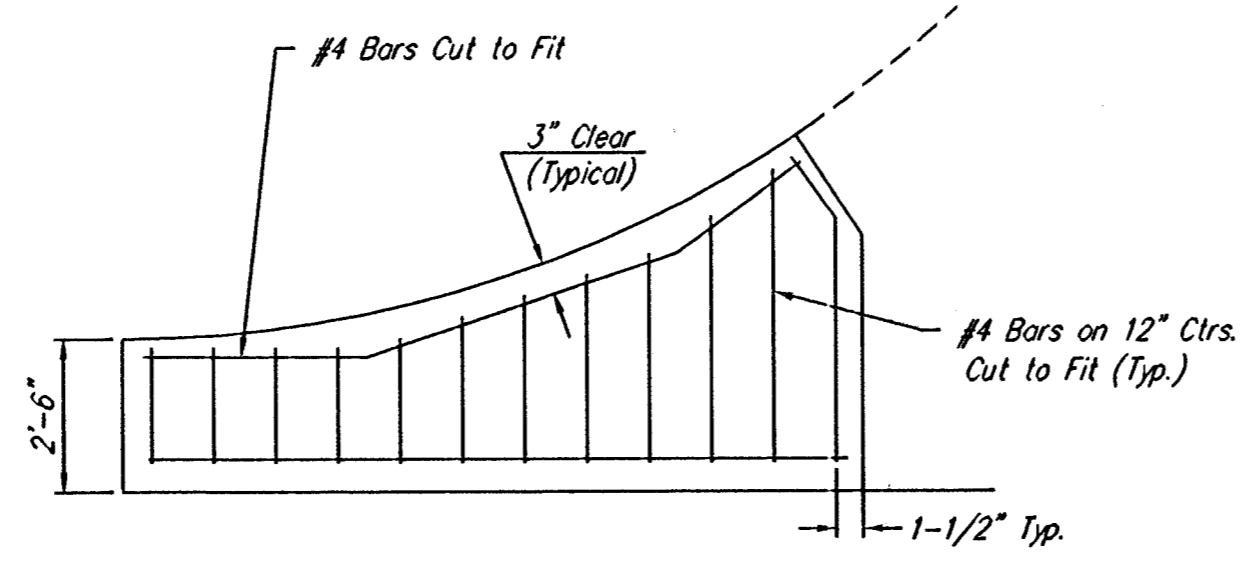
LONGITUDINAL JOINT DETAIL (L.J.)



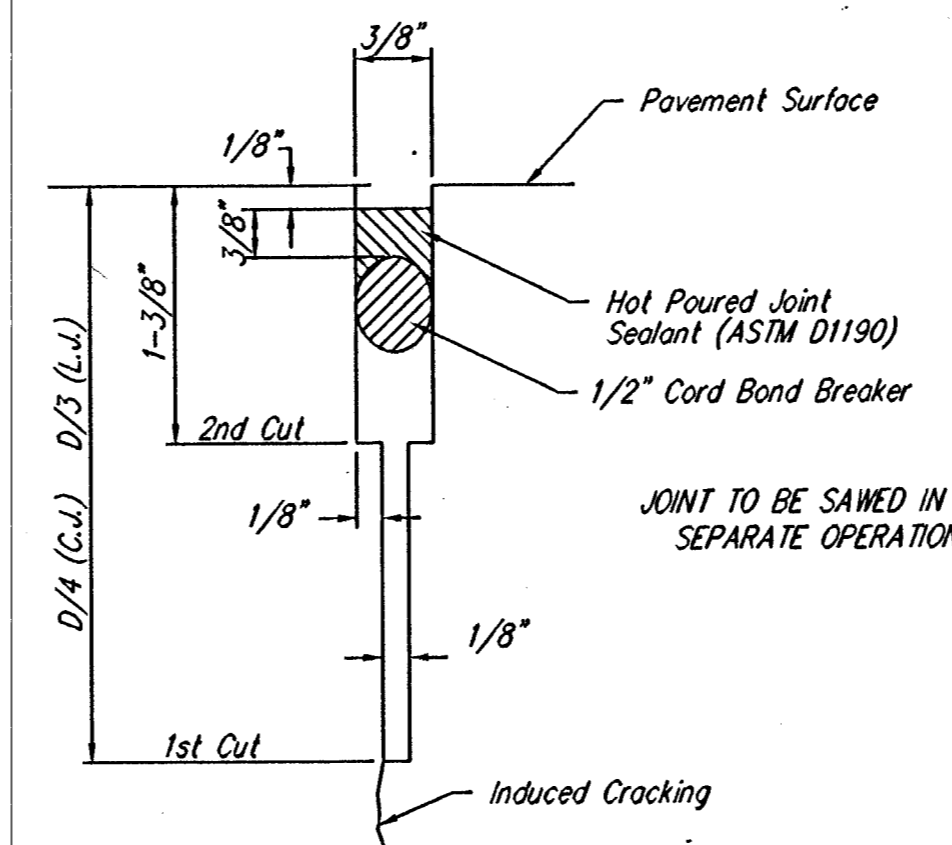
OPTIONAL LONGITUDINAL JOINT DETAIL (L.J.)



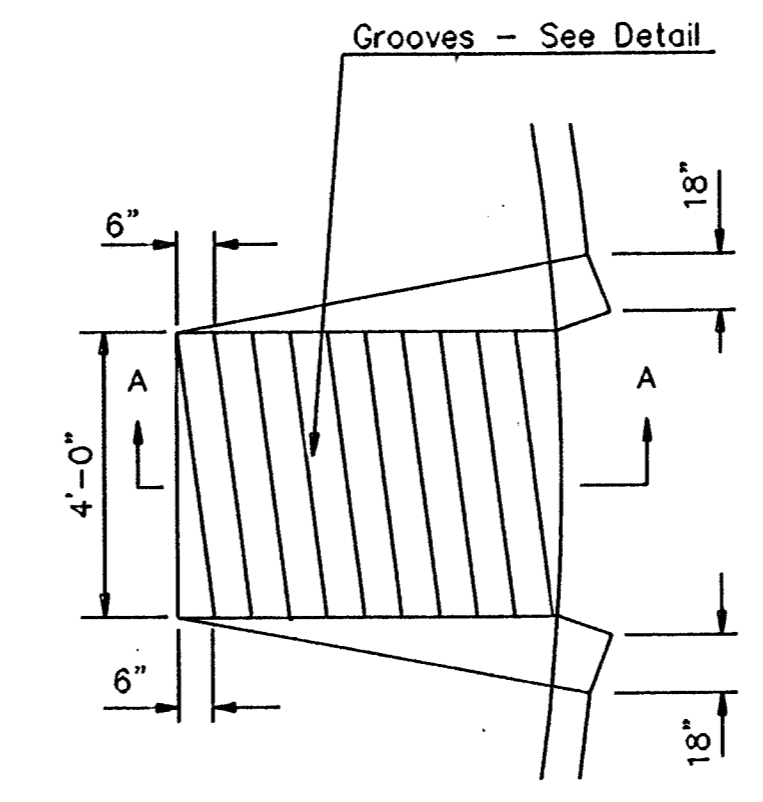
OPTIONAL CONTRACTION JOINT



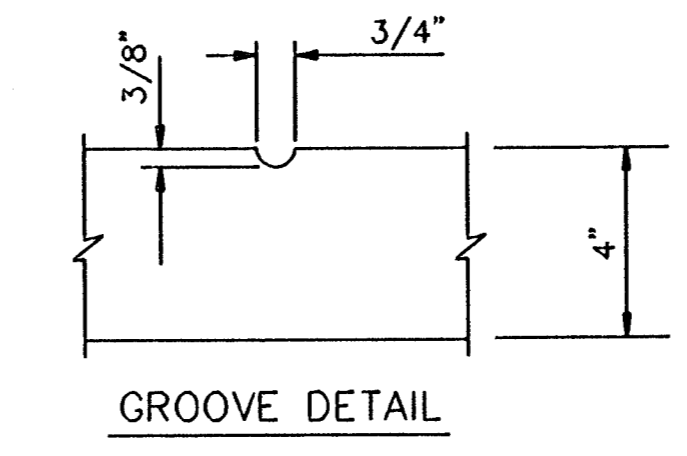
WING REINFORCING DETAIL



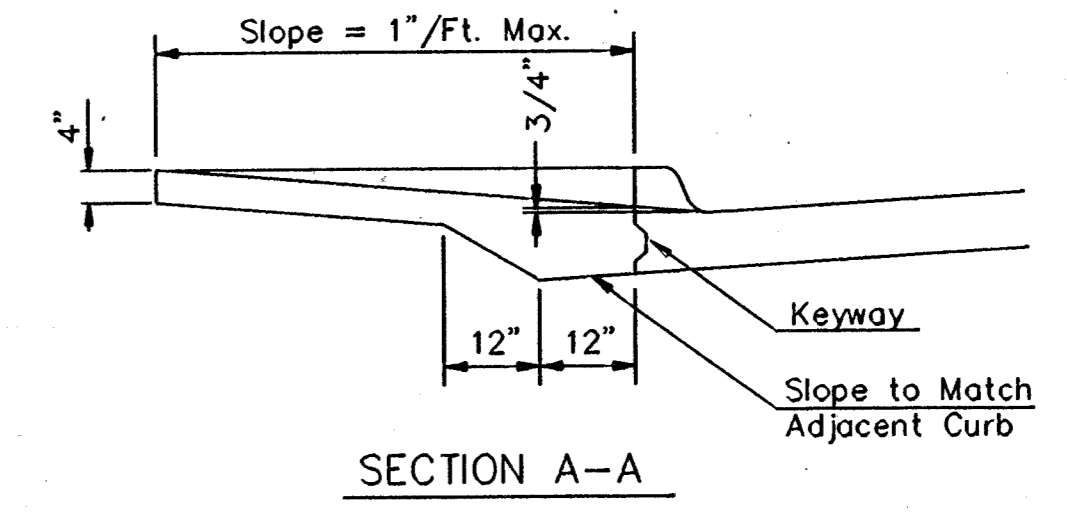
SAW JOINT DETAIL



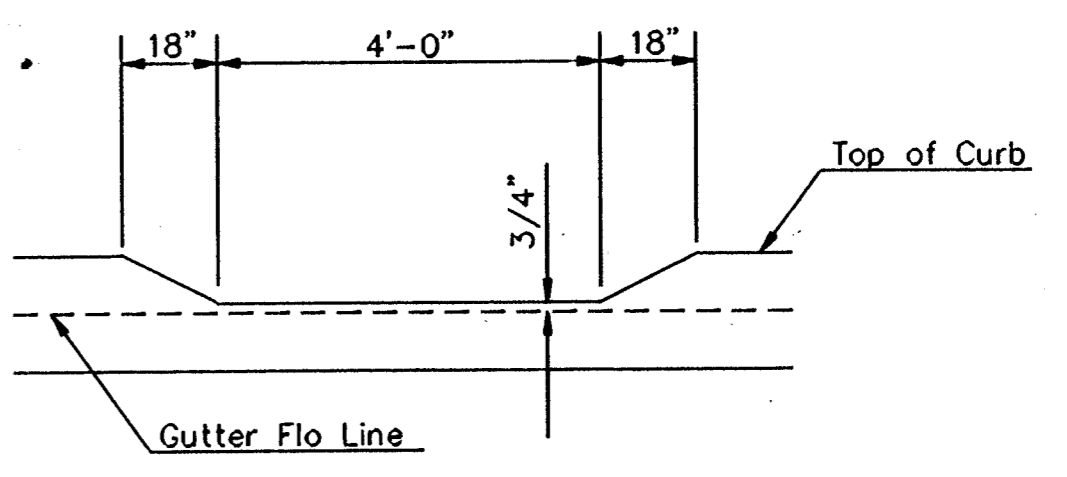
WHEELCHAIR RAMP PLAN VIEW



GROOVE DETAIL

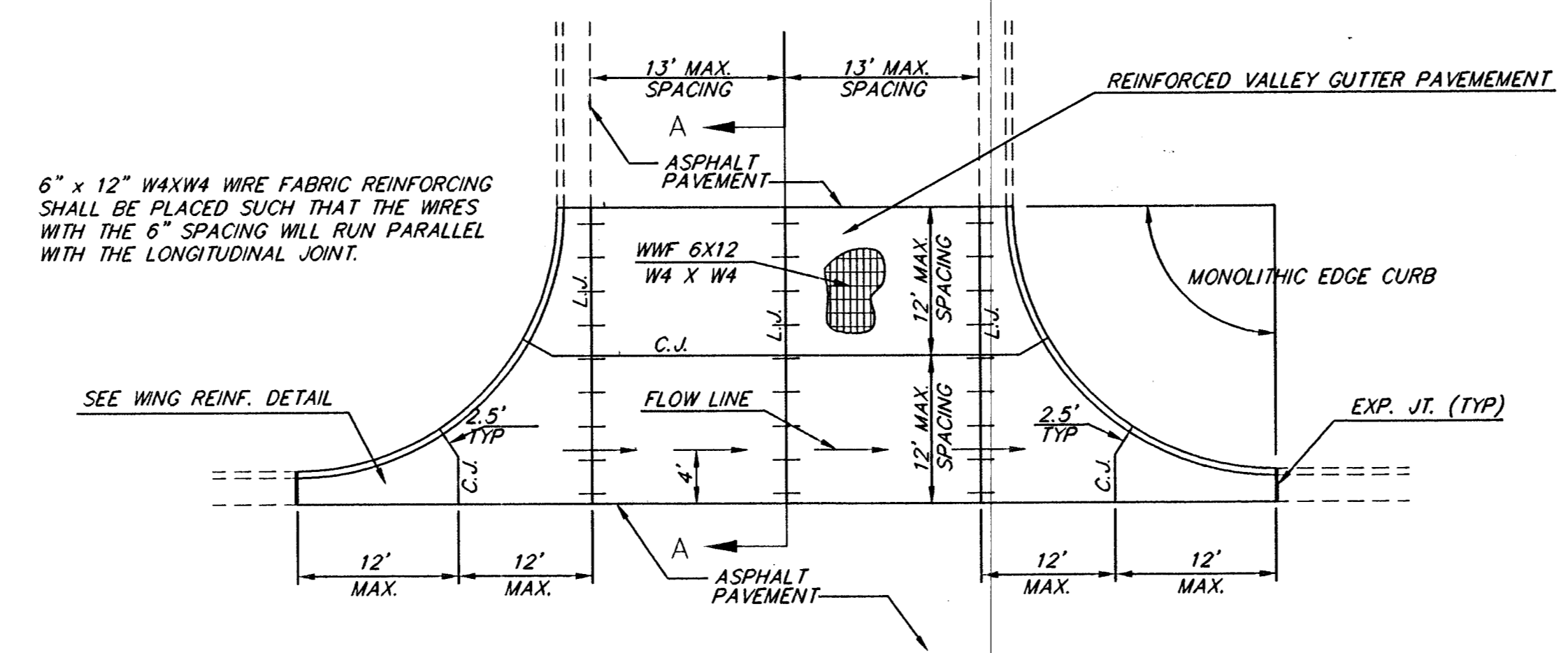


SECTION A-A

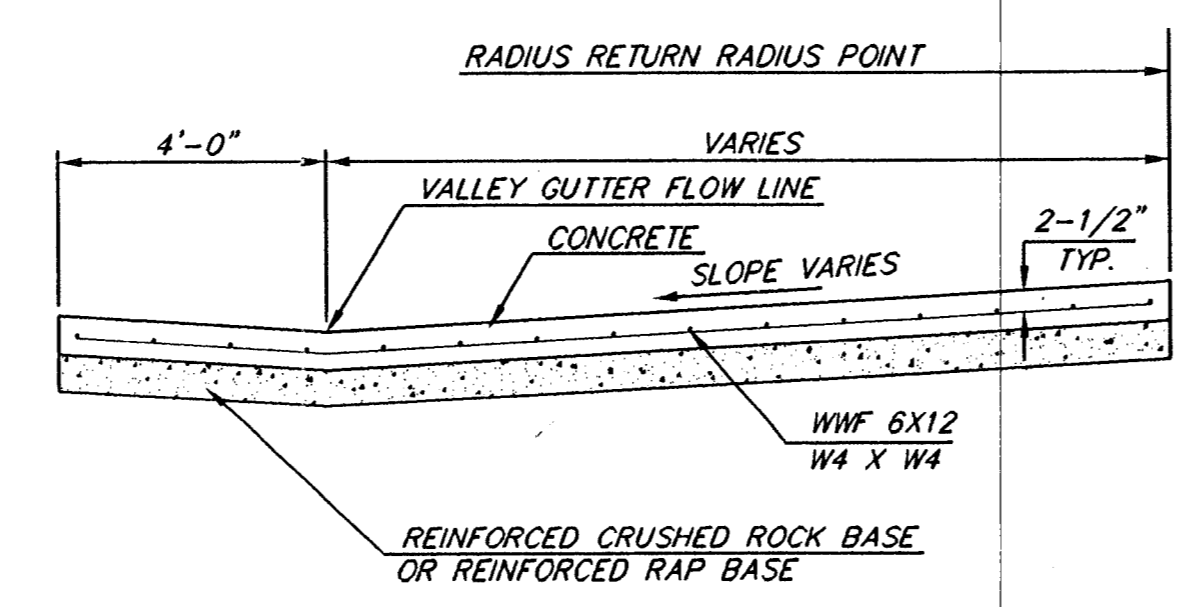


DEPRESSED CURB DETAIL

WHEELCHAIR RAMP DETAIL

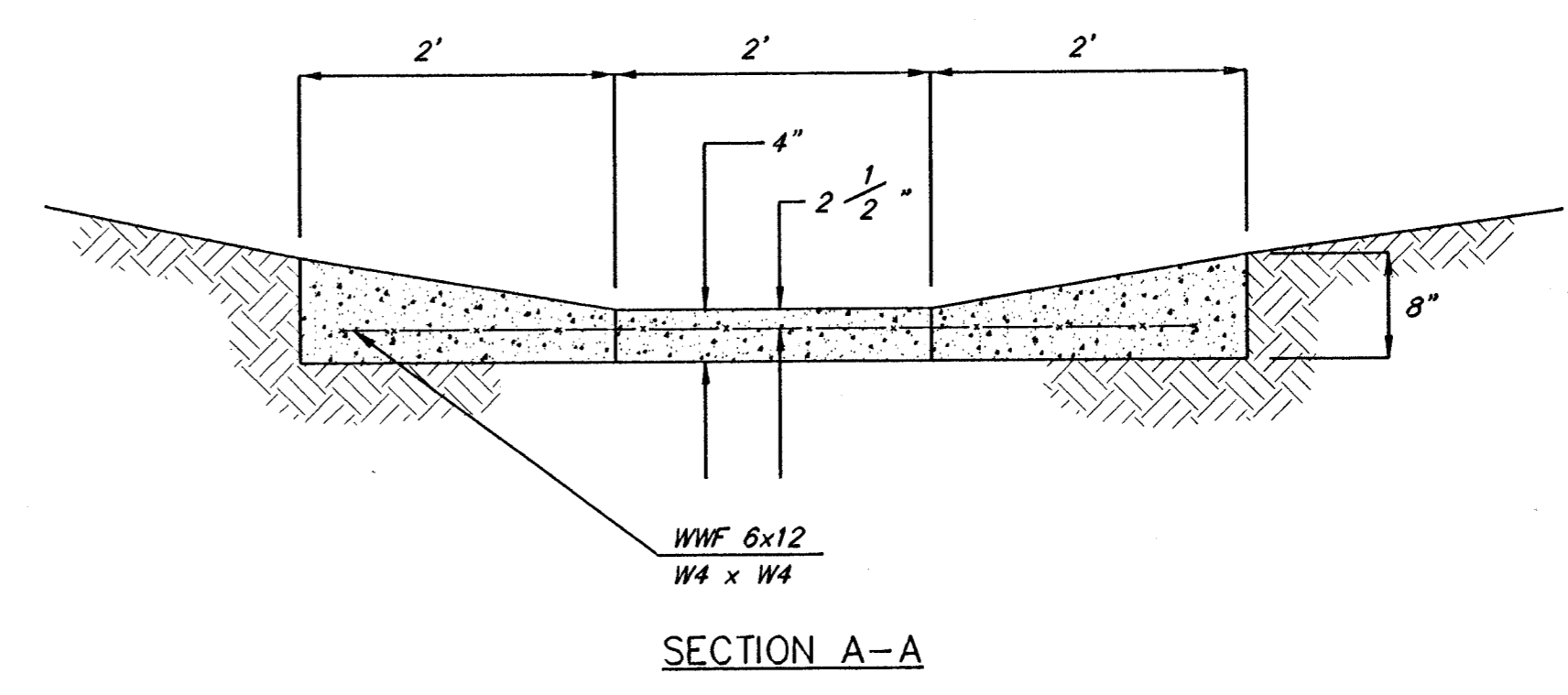


PLAN



SECTION A-A

REINFORCED VALLEY GUTTER DETAIL



SECTION A-A

CONCRETE FLUME DETAIL

THE CITY OF WICHITA

CITY ENGINEER'S OFFICE  
CITY HALL - SEVENTH FLOOR  
455 NORTH MAIN STREET  
WICHITA, KANSAS 67202  
(316) 268-4800  
(316) 268-4114 FAX

VALLEY GUTTER DETAILS  
WHEELCHAIR RAMP  
DETAILS

M. E. LINDEBAK P.E. - CITY ENGINEER

PROJECT NUMBER 472-82787 INDEX CODE

DATE JAN 97 SHEET 17 OF 94

FILE: VALVGT.DWG PLOT: 6-3-98 ACADWGN.r17 SCALE: 1"=70'