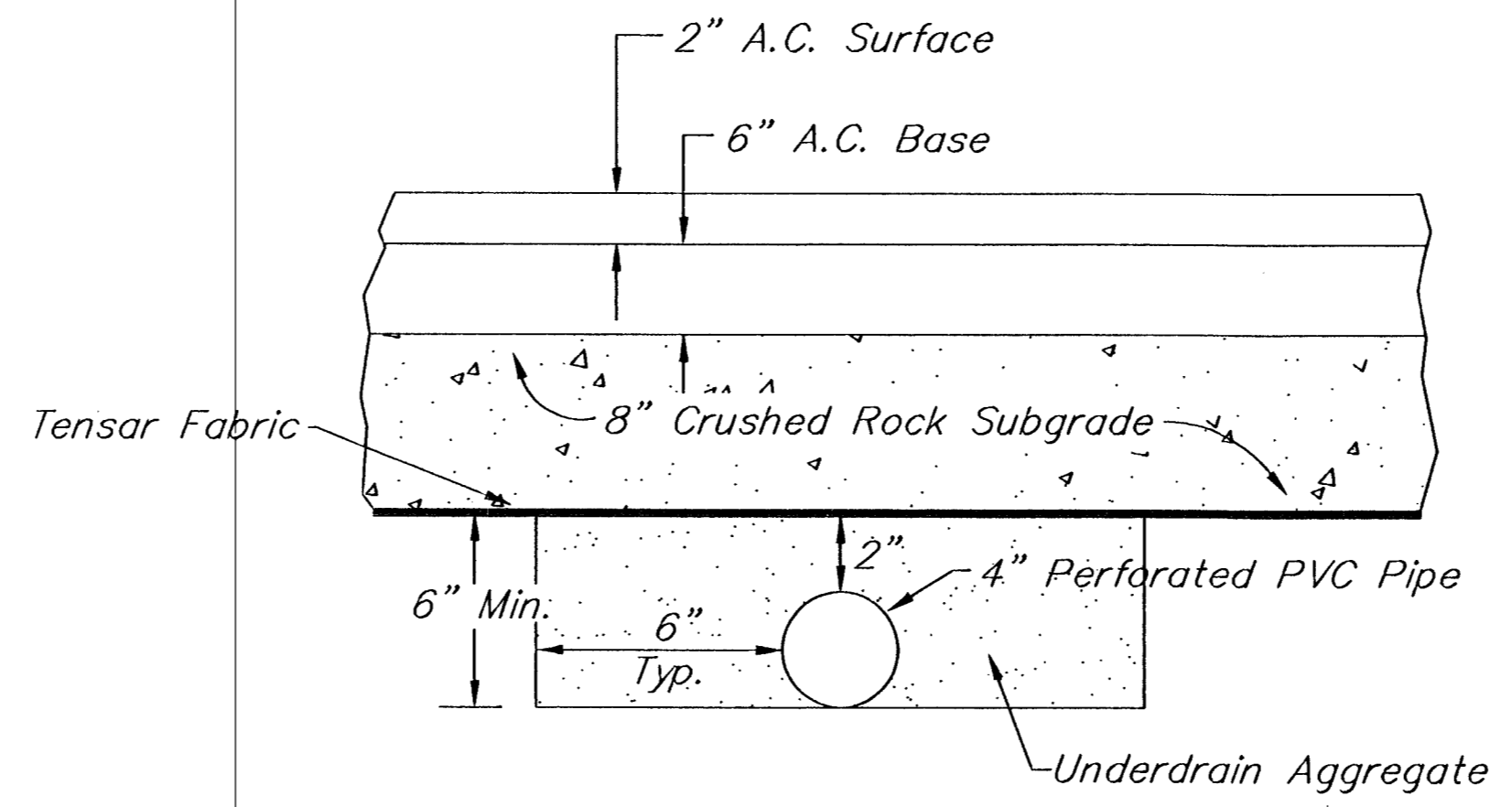


FHWA REGION NO.	STATE	PROJECT NO.	YEAR	SHEET NO.	TOTAL SHEETS
7	KANSAS	87 N-0137-01	99	18	94



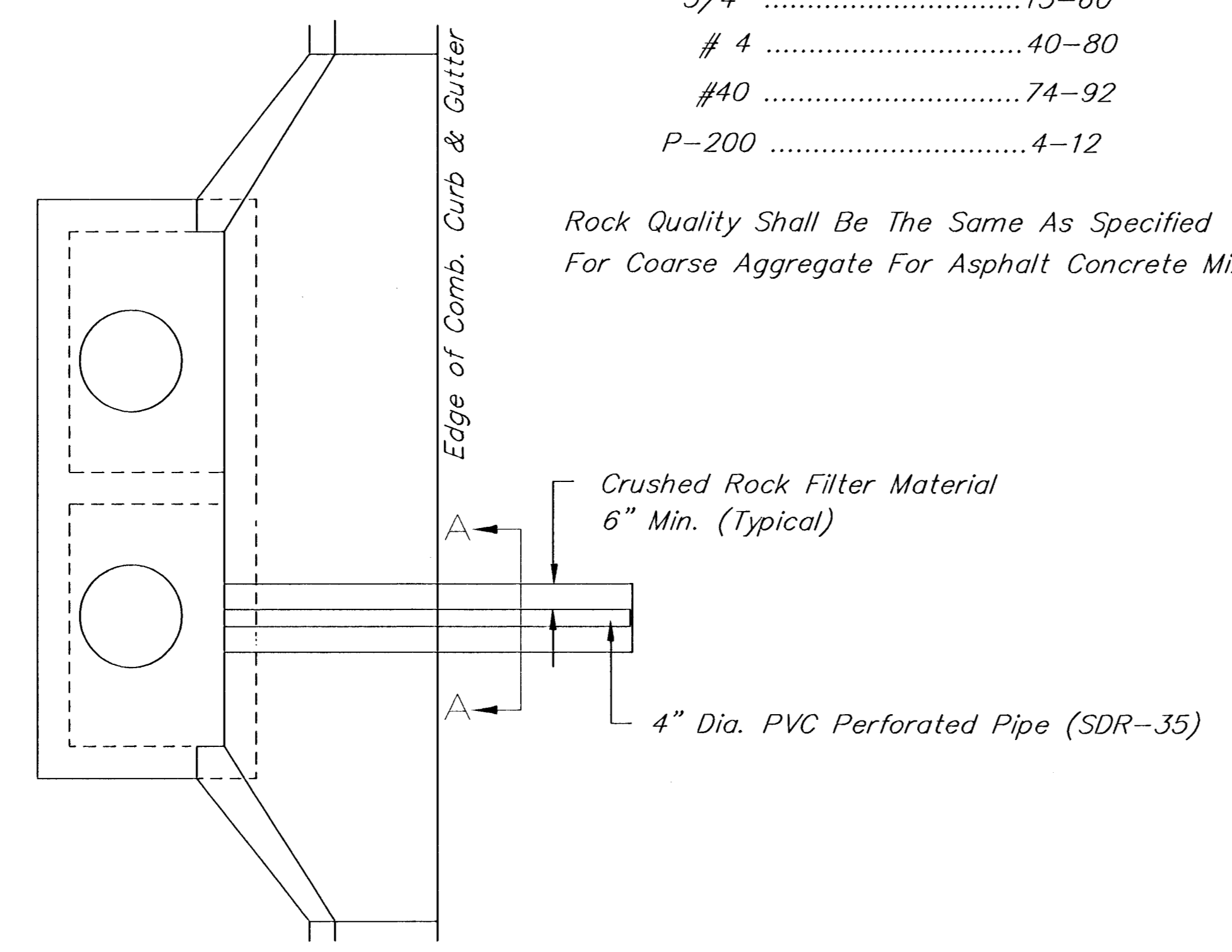
SECTION A-A

CRUSHED ROCK GRADATION REQUIREMENTS
Percent of Aggregate Retained

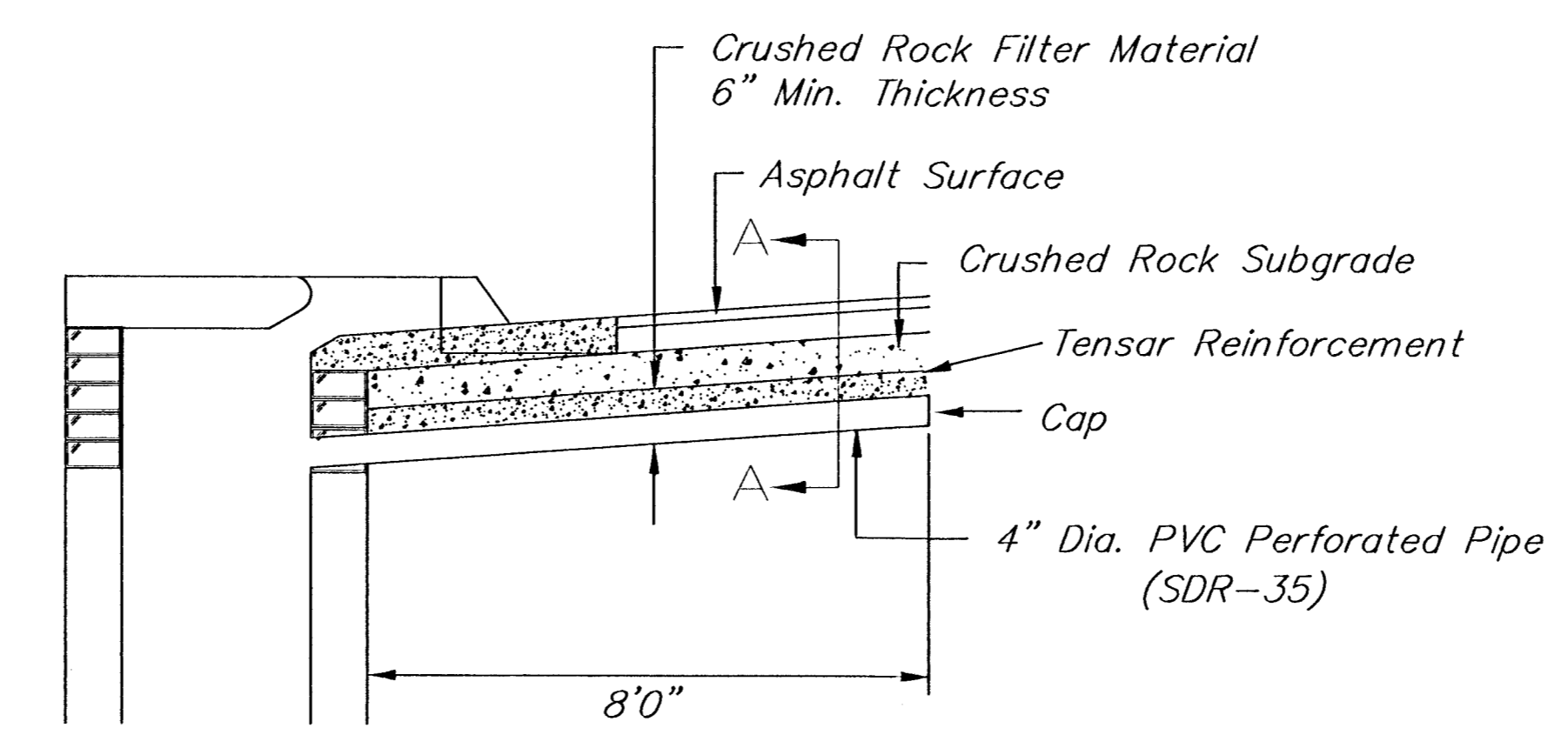
1 1/2"	0
3/4"	15-60
# 4	40-80
#40	74-92
P-200	4-12

Rock Quality Shall Be The Same As Specified
For Coarse Aggregate For Asphalt Concrete Mixes.

NOTE: Place 4" PVC Perforated Pipe at all drainage sump locations.
Cost of Underdrain System to be Incidental to the Reinforced Crushed Rock Subgrade.



PAVEMENT UNDERDRAIN DETAIL



(Min. 16 Perforations Per Lin. Ft. @ 1/4" Dia.)
Perforations To Be on Bottom Half

<p>THE CITY OF WICHITA</p> <p>CITY ENGINEER'S OFFICE CITY HALL - SEVENTH FLOOR 455 NORTH MAIN STREET WICHITA, KANSAS 67202 (316) 268-4500 FAX (316) 268-4114 FAX</p>	PAVEMENT UNDERDRAIN DETAIL	
	M. E. LINDEBAK P.E. - CITY ENGINEER	
	PROJECT NUMBER 472-82787	INDEX CODE
	DATE JAN 97	NO SCALE SHEET 18 OF 94

FILE: PAVEMEN.DWG PLOT: 4-9-99 4:10PM 1/2