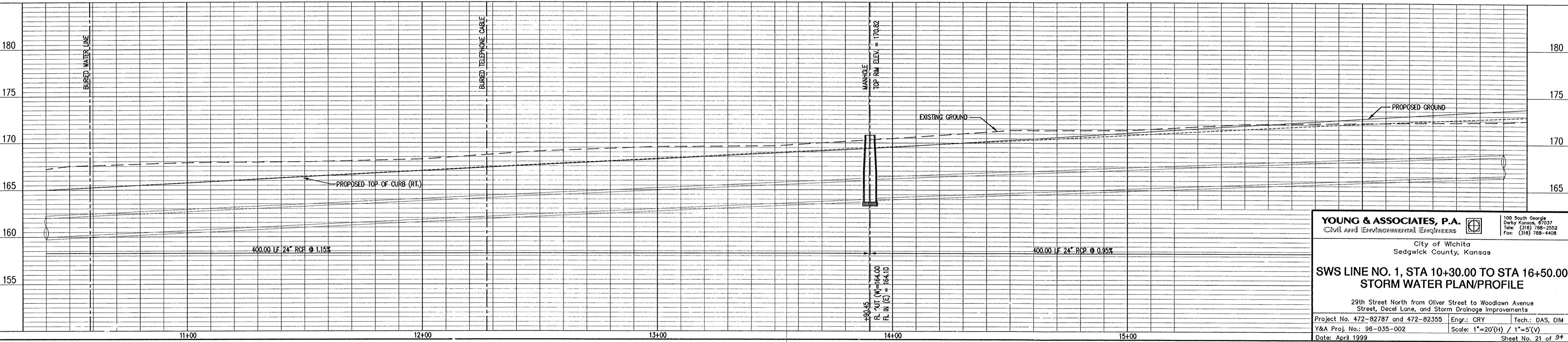
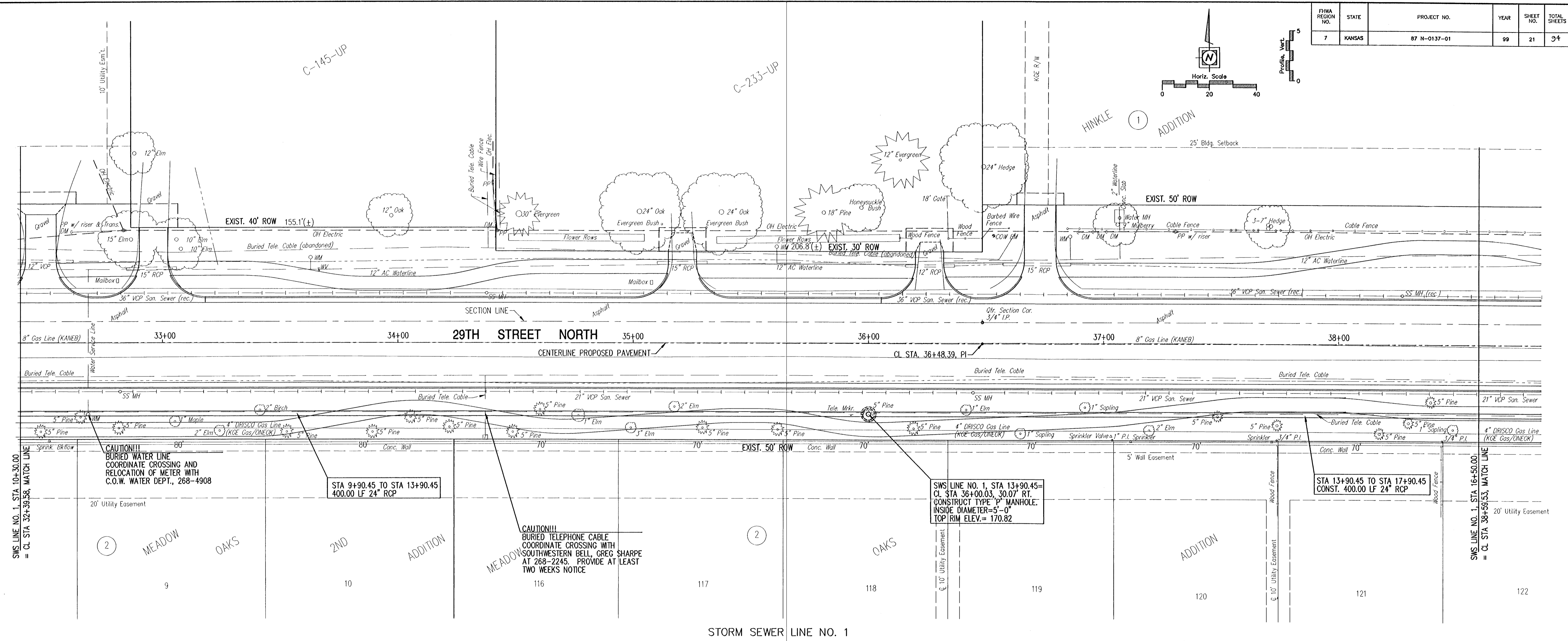
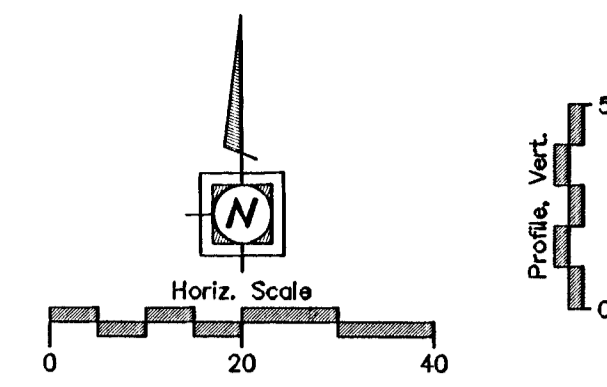


FHWA REGION NO.	STATE	PROJECT NO.	YEAR	SHEET NO.	TOTAL SHEETS
7	KANSAS	87 N-0137-01	99	21	34



YOUNG & ASSOCIATES, P.A.
 Civil and Environmental Engineers
 100 South George
 Derby, Kansas, 67037
 Tel: (316) 788-2552
 Fax: (316) 788-4408

City of Wichita
 Sedgewick County, Kansas

**SWS LINE NO. 1, STA 10+30.00 TO STA 16+50.00
 STORM WATER PLAN/PROFILE**

29th Street North from Oliver Street to Woodlawn Avenue
 Street, Decel Lane, and Storm Drainage Improvements

Project No. 472-82787 and 472-82355 Engr.: CRY Tech.: DAS, DIM
 Y&A Proj. No.: 96-035-002 Scale: 1"=20'(H) / 1"=5'(V)
 Date: April 1999 Sheet No. 21 of 34

FILE: sws003.dwg PLOT: 4-8-99 ACADWING: r.14 1"=20'