

FHWA REGION NO.	STATE	PROJECT NO.	YEAR	SHEET NO.	TOTAL SHEETS
7	KANSAS	87 N-0137-01	1999	90	94

GENERAL: The entire disturbed area, excepting the paved or surfaced areas, steep rocky slopes and areas of undisturbed native sod or other desirable vegetation shall be fertilized (limed when required), seeded, and mulched. Soil preparation shall conform to the Standard Specifications.

Temporary seeding shall be done during any time of the year that the soil can be cultivated. After the temporary seeding has been completed on the entire project, a permanent seeding shall be done by another project during the normal seeding season.

The Contractor will be required to finish areas of excavation, borrow and embankment in accordance with the specifications. Areas that require installation or construction of temporary water pollution control items will be finished in reasonable close conformity to the alignment, grade and cross section shown on the plans or as established by the Engineer.

FERTILIZER: A ratio and application rate that equals or exceeds the required minimum rate per acre of N, P<sub>2</sub>O<sub>5</sub>, K<sub>2</sub>O listed in Summary of Quantities will be acceptable.

MULCHING: Mulch shall be spread uniformly over all disturbed areas and punched in the soil, unless otherwise noted on the plans. The rate of application per acre, thickness in place, for the various mulching materials are as follows:

Prairie Hay Mulching	1 3/4 - 2 1/4	Tons per Acre =	1/2' loose depth spread uniformly over acre.
Bromegrass Mulching	1 3/4 - 2 1/4	Tons per Acre =	1/2' loose depth spread uniformly over acre.
Wheat or Oats Straw Mulching	1 1/2 - 2	Tons per Acre =	3" loose depth spread uniformly over acre.
Wood Chips Mulching	4 - 5	Tons per Acre =	1-2' loose depth spread uniformly over acre.
Wood Fiber Mulching	3/4 - 1	Tons per Acre =	spread uniformly over acre.

Other vegetative mulches (Acceptable only with the Engineer's concurrence).

The above rates are a guide. It will be at the discretion of the Engineer to determine what rate is sufficient for adequate protection of newly seeded areas.

The amount of mulch in the bid quantities is estimated. The total mulch required shall be determined in the field. The bid item for mulching shall be paid for by one of the following ways: A) Plan quantity as shown on Summary of Quantities, Seeding Sheet or Water Pollution Control Sheet, B) Slope measurement as measured in field, or C) Drill measurement less 5% as measured at the time of seeding.

For Information Only: To be bid as Seeding, Fertilizing & Mulching per Acre

SUMMARY OF SEEDING QUANTITIES: PROJECTS OF 5 ACS. OR MORE				
P.L.S. RATE/ACRE	ACRES	BID ITEM	QUANTITY	UNIT
850	5	Fertilizer	4,250	lbs.
		Ryegrass Seed		lbs.
		Agricultural Limestone		tons
398	5	Fescue Seed	1,740	lbs.
		Temporary Berm		L.F.
		Temporary Ditch Check	116	L.F.
		Temporary Inlet Sediment Barrier	12	Each
		Temporary Sediment Basin		C.Y.
		Temporary Slope Barrier	680	L.F.
		Temporary Slope Drain		L.F.
		Temporary Stream Crossing		Each
		Sediment Removal (Set Price)	1	C.Y.
		Mulching (Temporary)	5	acs.

SUMMARY OF SEEDING QUANTITIES: PROJECTS LESS THAN 5 ACS.				
P.L.S. RATE/ACRE	ACRES	BID ITEM	QUANTITY	UNIT
		Fertilizer		lbs.
		Ryegrass Seed		lbs.
		Agricultural Limestone		tons
		Seeding (TPWPC)	Lump Sum	L.S.
		Temporary Ditch Check (Straw or Hay Bales Only)		L.F.
		Temporary Slope Barrier (Silt Fence Only)		L.F.
		Water Pollution Control (Soil Erosion) (Set Price)	Lump Sum	L.S.
		Sediment Removal (Set Price)	1	C.Y.
		Mulching (Temporary)		acs.

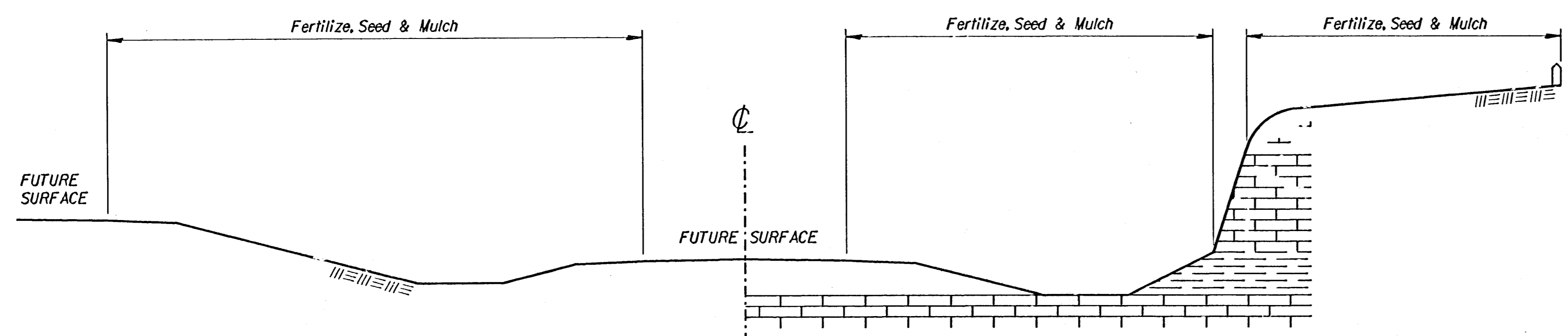
3	3/13/97	Revised Summary of Quantities	WCL	RDR
1	4/21/95	Revised Remove Typical Dike Detail	WCL	RDR
NO.	DATE	REVISIONS	BY	APP'D

**KANSAS DEPARTMENT OF TRANSPORTATION**

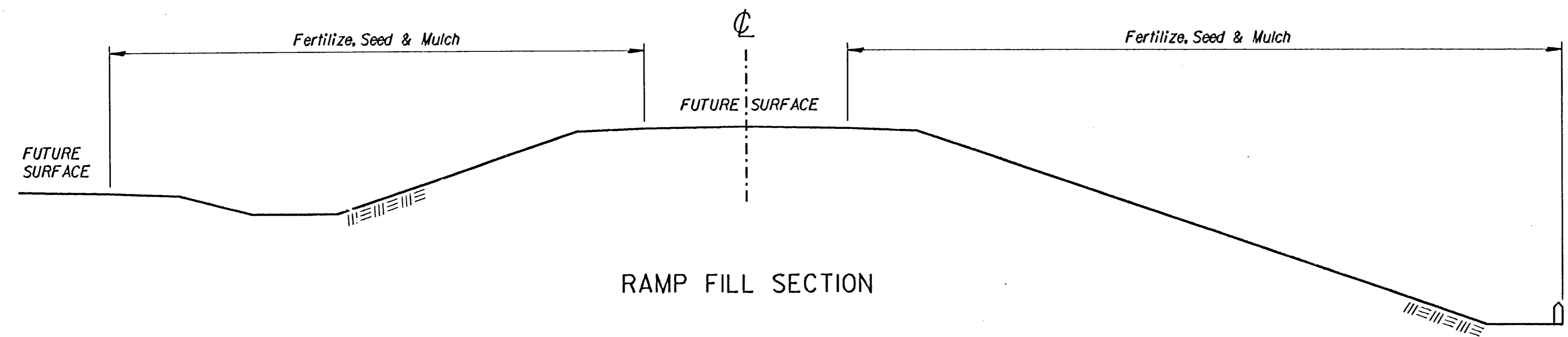
**TEMPORARY PROJECT WATER POLLUTION CONTROL (SOIL EROSION)**

**LA852A**

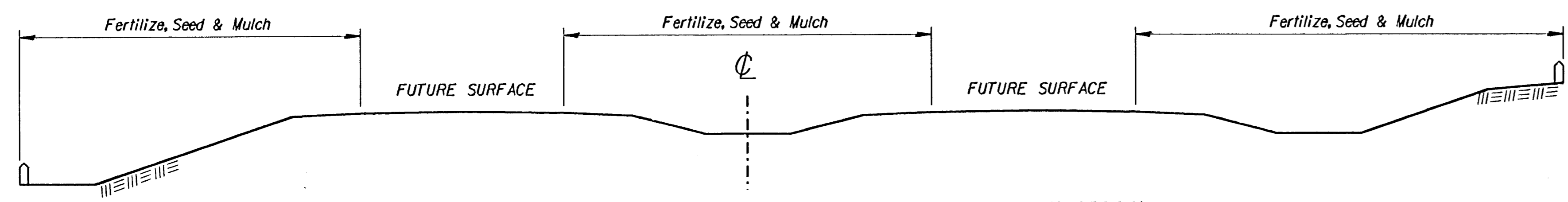
P.L.S. APPROVAL	4/02/97	APP'D	Richard D. Ross
DESIGNED	HLH/DETALD	WCL QUANTITIES	TRACED
DESIGN CK.	RDR/DETAL CK.	RDR QUANTITIES	TRACE CK.



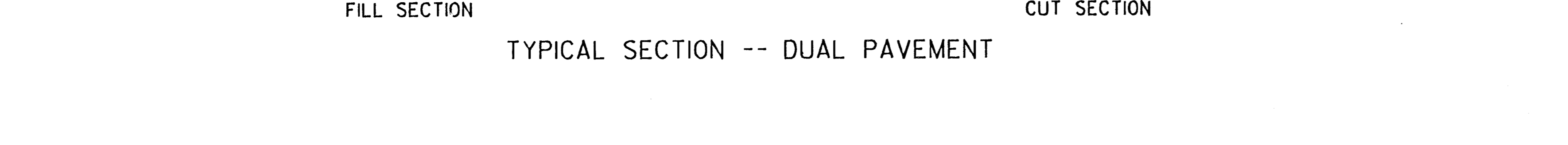
RAMP CUT SECTION



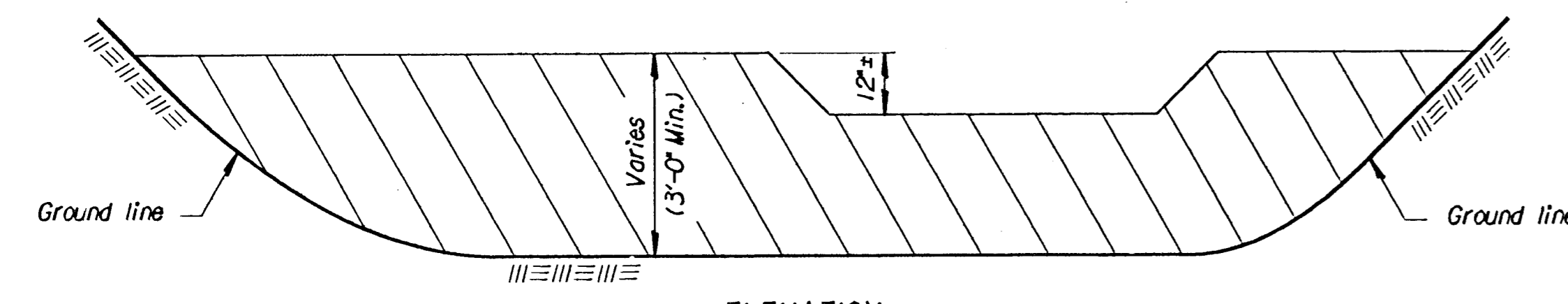
RAMP FILL SECTION



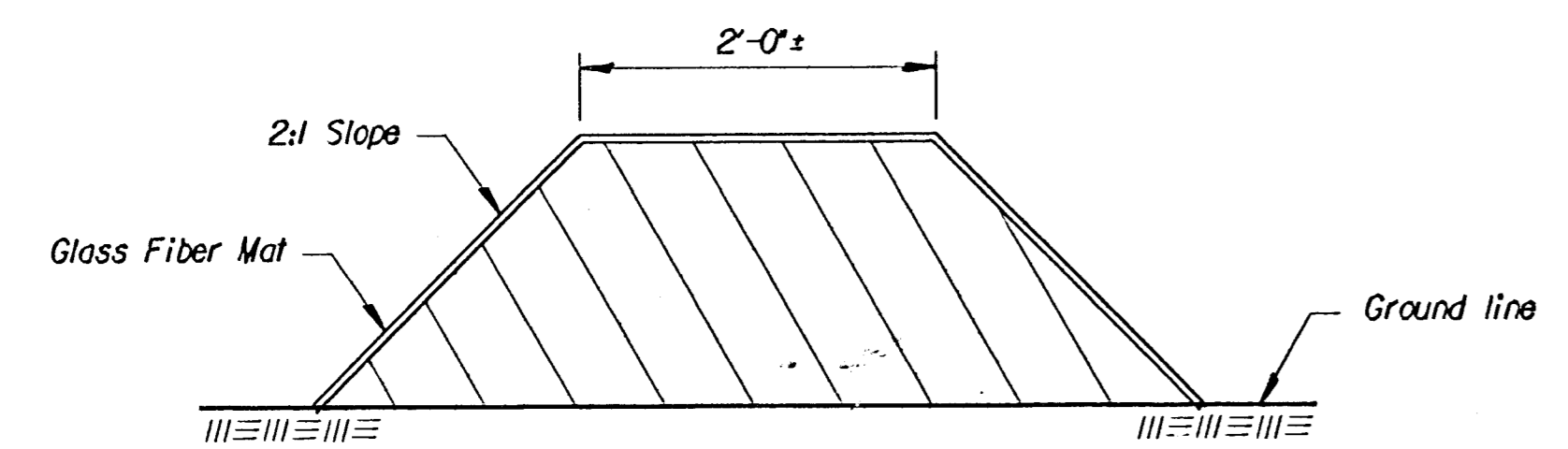
TYPICAL SECTION -- DUAL PAVEMENT



FILL SECTION CUT SECTION



ELEVATION



CROSS SECTION

Cover dike with glass fiber mat, soil retention blanket, or other similar material as approved by the Engineer. The dike and basin shall be of sufficient size to handle the anticipated silt load. The basin shall be utilized at locations of expected heavy silt carrying runoff from slopes, terraces or other similar areas.

TYPICAL DIKE FOR SILTING BASIN

ross /usr5/ross/refstds/0852a.dgn 30-JUL-1997 11:22 View PLOT 1