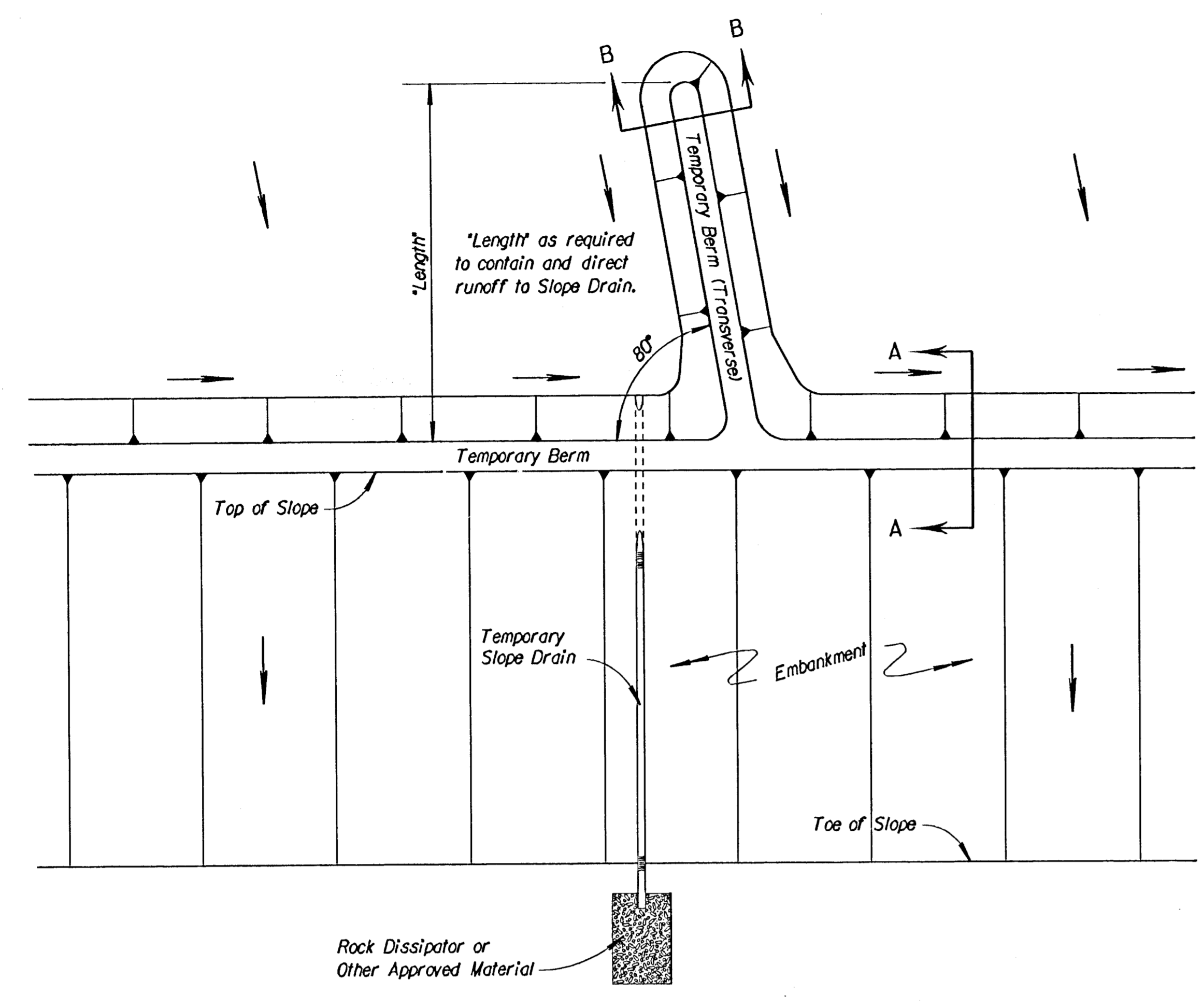
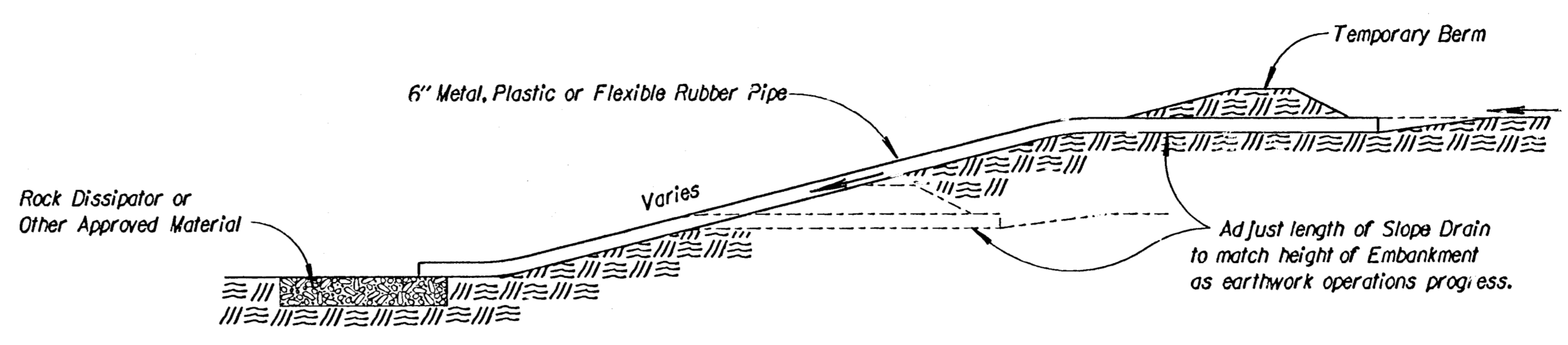


FHWA REGION NO.	STATE	PROJECT NO.	YEAR	SHEET NO.	TOTAL SHEETS
7	KANSAS	87 N.037-01	1997	94	94

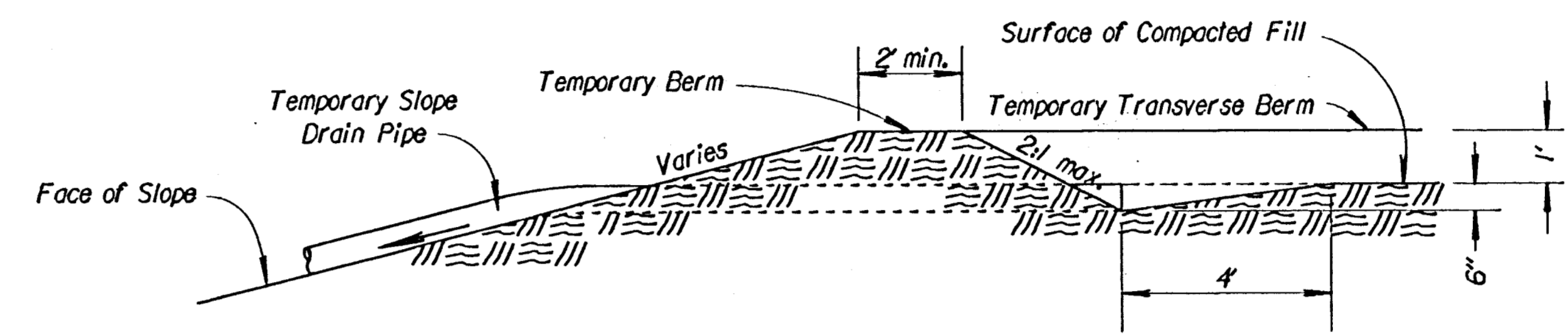
- NOTES:
- 1) Temporary Slope Drain and Temporary Berm may be used on either project foreslopes or project backslopes.
 - 2) Discharge of Slope Drains shall be into stabilized ditch or area, or into Sediment Basin.
 - 3) Pipe shall be secured in place as approved by Engineer.



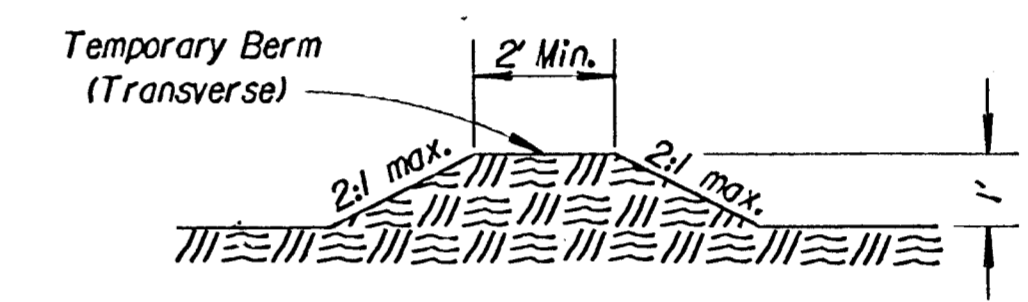
TYPICAL PLAN VIEW OF TEMPORARY BERM AND TEMPORARY SLOPE DRAIN
NO SCALE



TYPICAL PROFILE OF TEMPORARY SLOPE DRAIN
NO SCALE

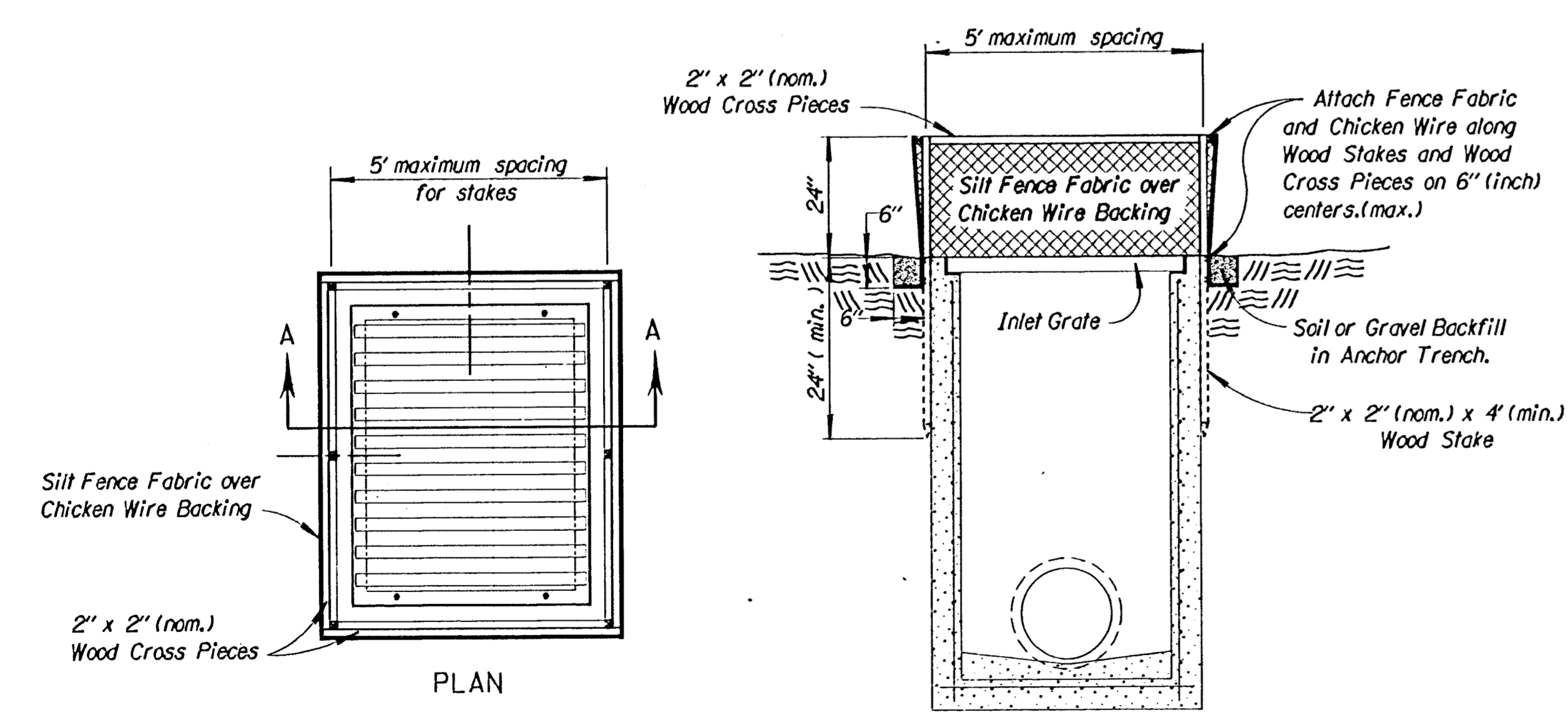


SECTION A-A
NO SCALE

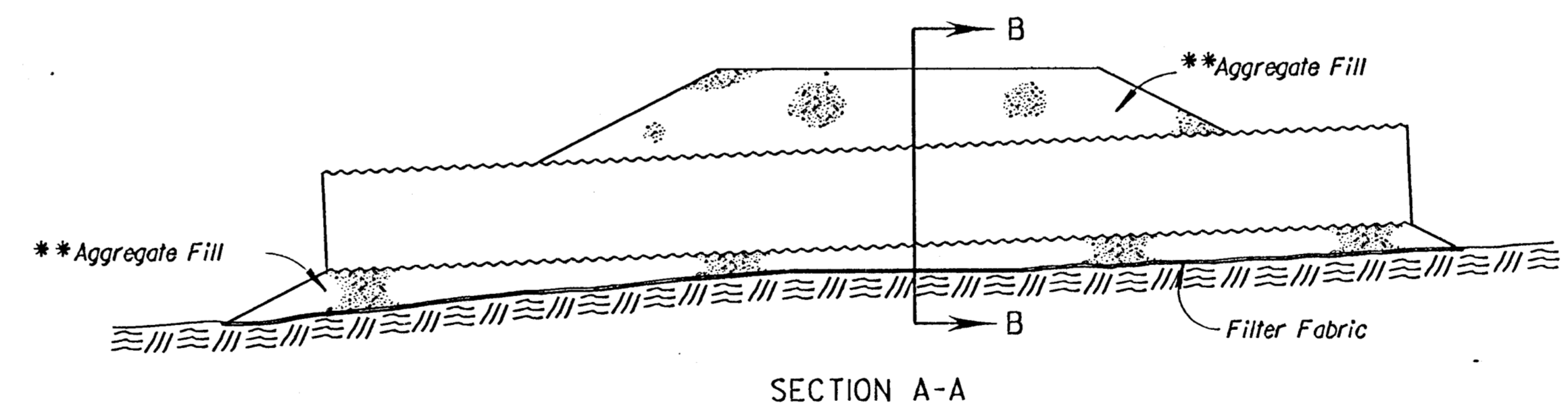


SECTION B-B
NO SCALE

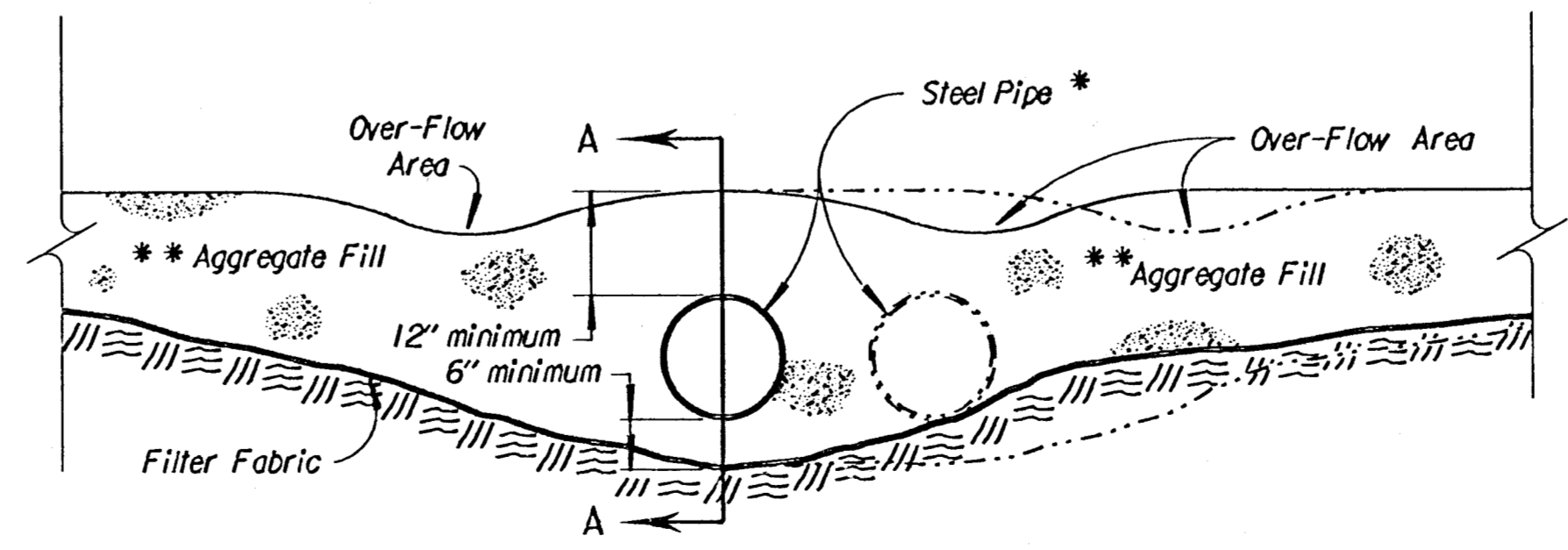
TYPICAL PROFILE OF TEMPORARY BERM
NO SCALE



TEMPORARY INLET SEDIMENT BARRIER
NO SCALE



SECTION A-A



SECTION B-B

TEMPORARY STREAM CROSSING
NO SCALE

- * NOTE:
Quantity, length and diameter of steel pipe to be determined by design flow calculations.
- ** NOTE:
Alternate fill material may be used upon the approval of the Bureau of Construction and Maintenance, Field Construction Engineer.

NO.	DATE	REVISIONS	BY	APP'D
3				
2				
1	3/13/97	Revised Temp. Stream Crossing	WC	RDR

KANSAS DEPARTMENT OF TRANSPORTATION
TEMPORARY PROJECT WATER POLLUTION CONTROL
TEMPORARY SLOPE DRAIN, STREAM CROSSING, INLET SEDIMENT BARRIER
LA852C

F.H.W.A. APPROVAL	4/02/97	APP'D	Richard D. Ross
DESIGNED	WCL	DETAILED	DEL
DESIGN CK.	RDR	DETAIL CK.	WCL

ross /usr5/ross/refstps/10852c.dgn 30-JUL-1997 11:22 View= PLOT 1