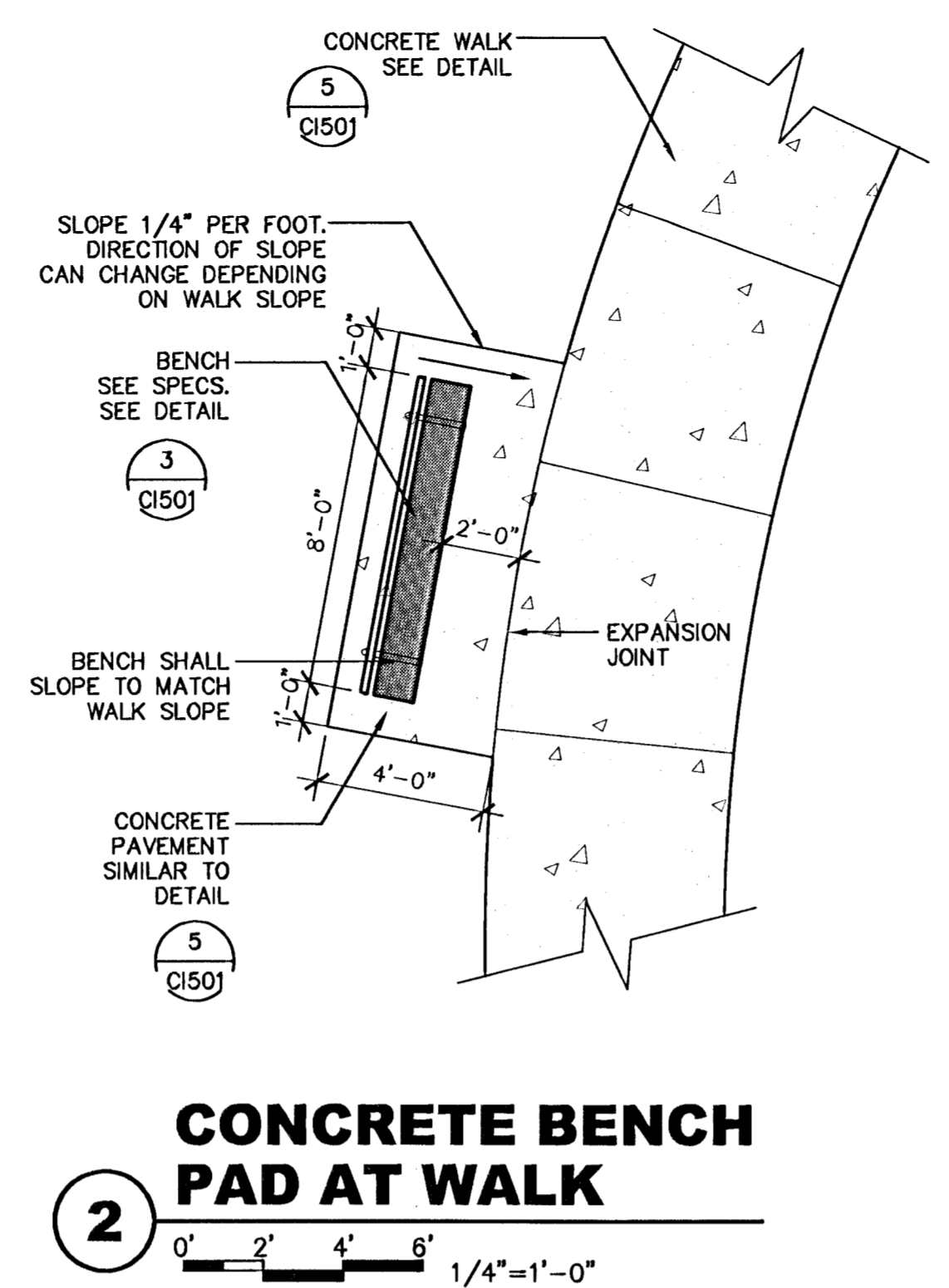
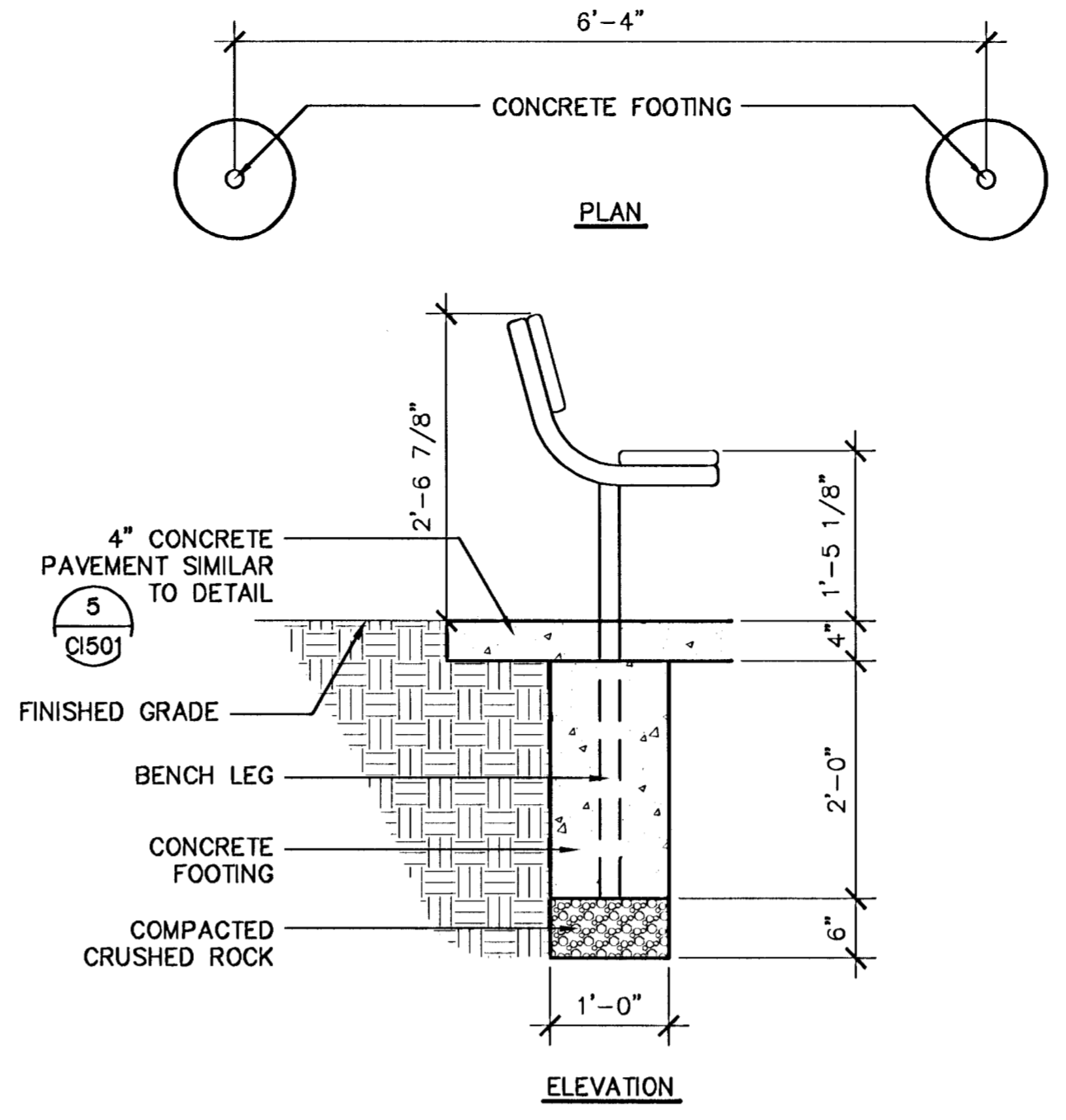


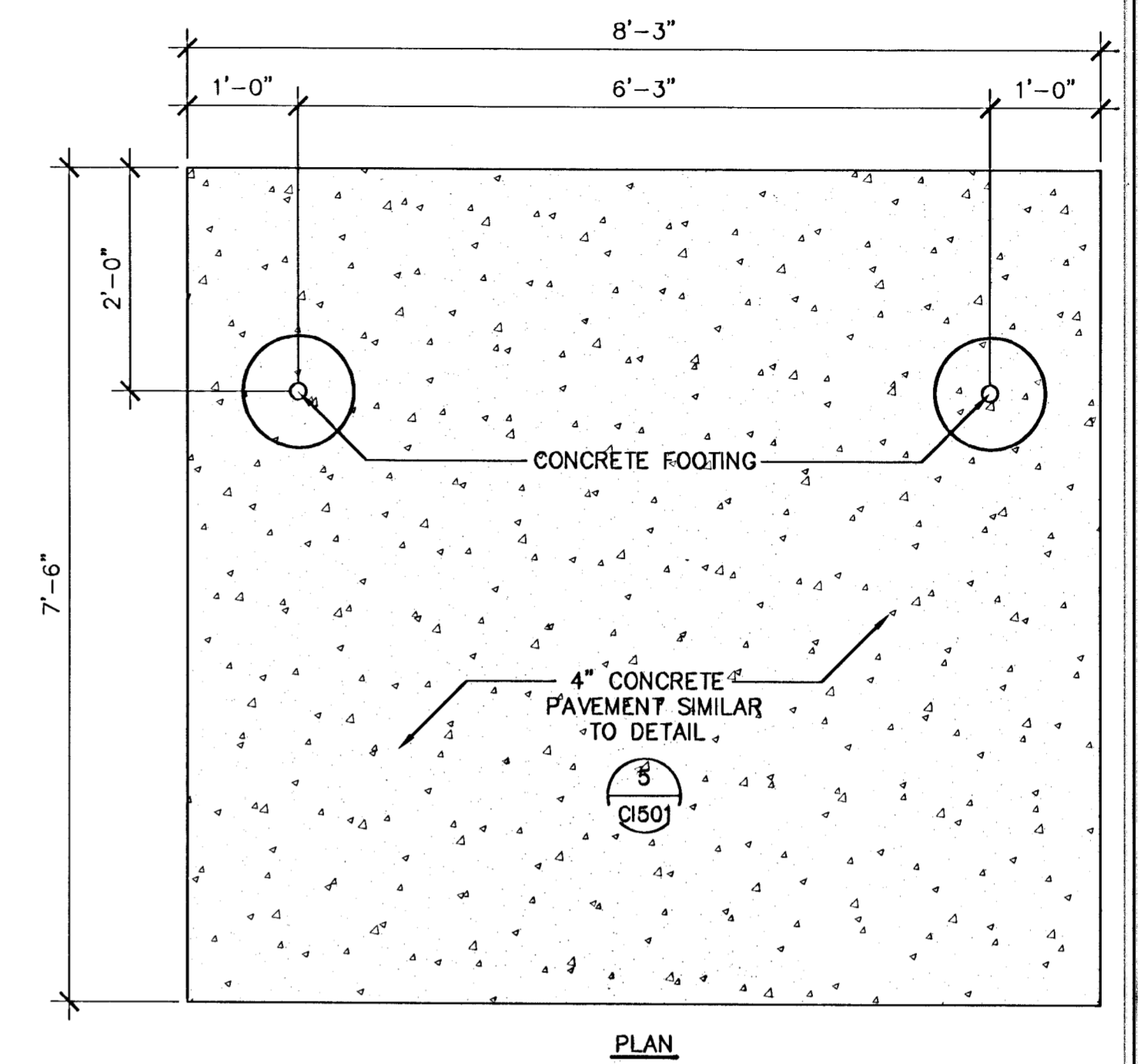
1 PICNIC SHELTER PAD
 0' 2' 4' 6' 1/4"=1'-0"



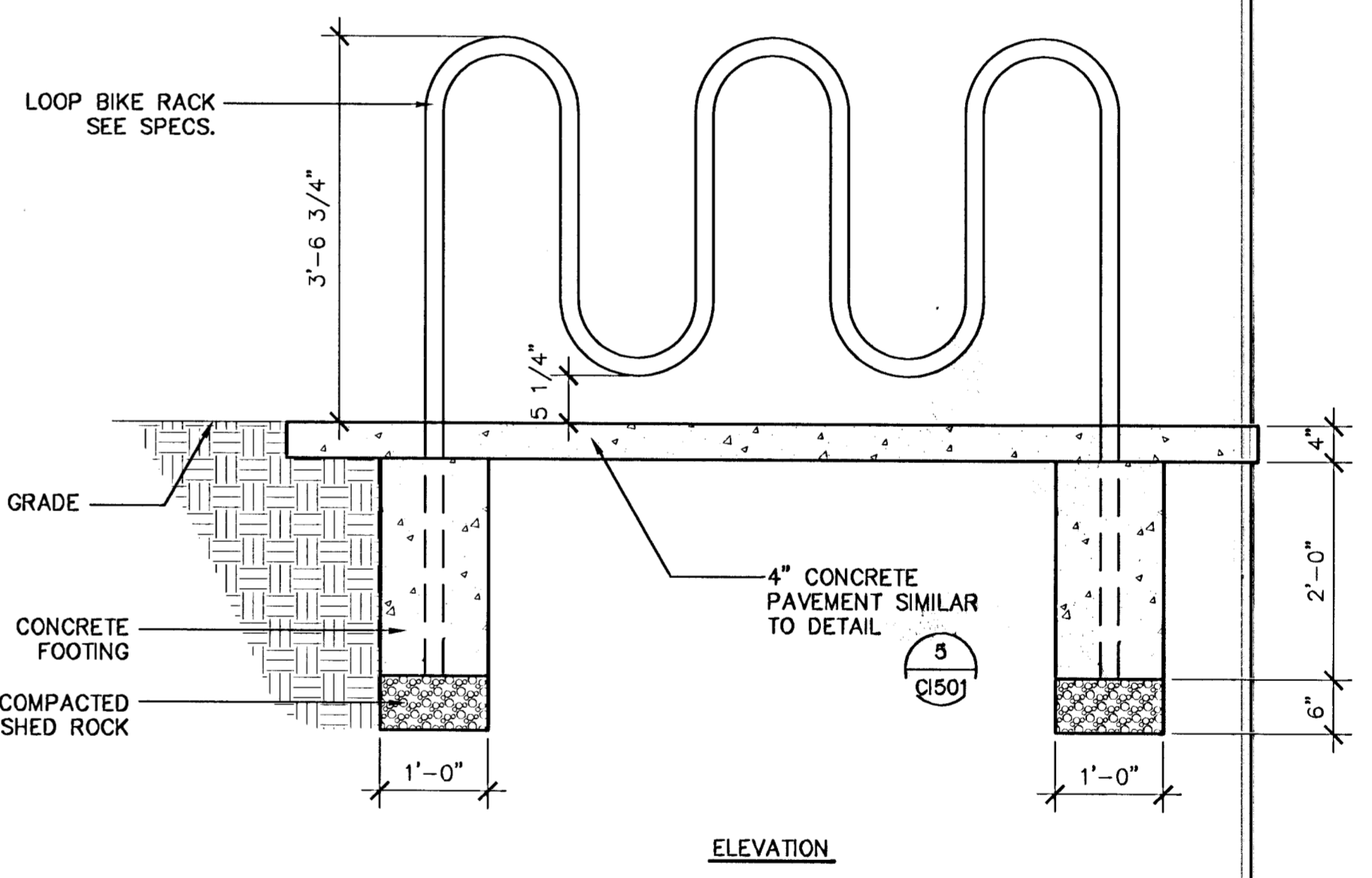
2 CONCRETE BENCH PAD AT WALK
 0' 2' 4' 6' 1/4"=1'-0"



3 BENCH FOOTING
 0' 6" 1' 2' 3/4"=1'-0"



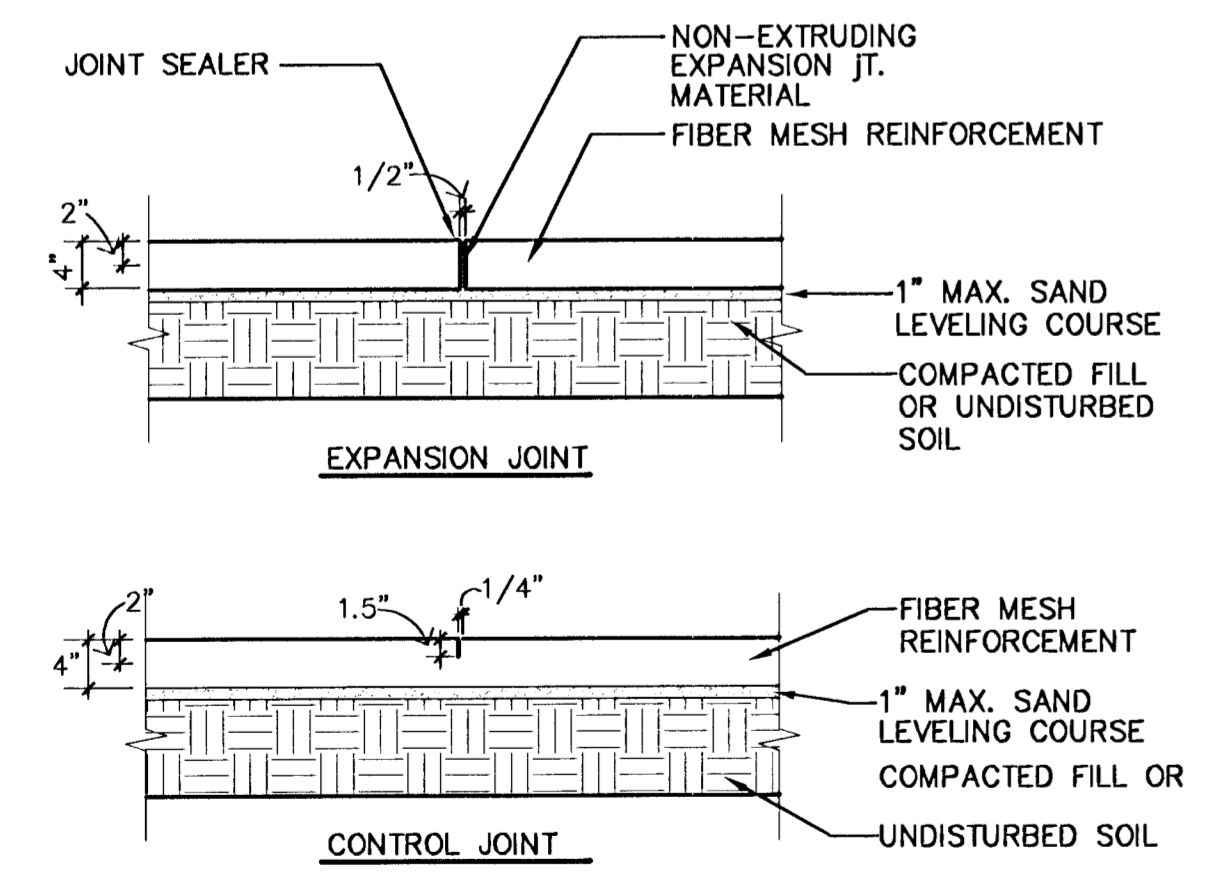
4 LOOP BIKE RACK FOOTING
 0' 6" 1' 2' 3/4"=1'-0"



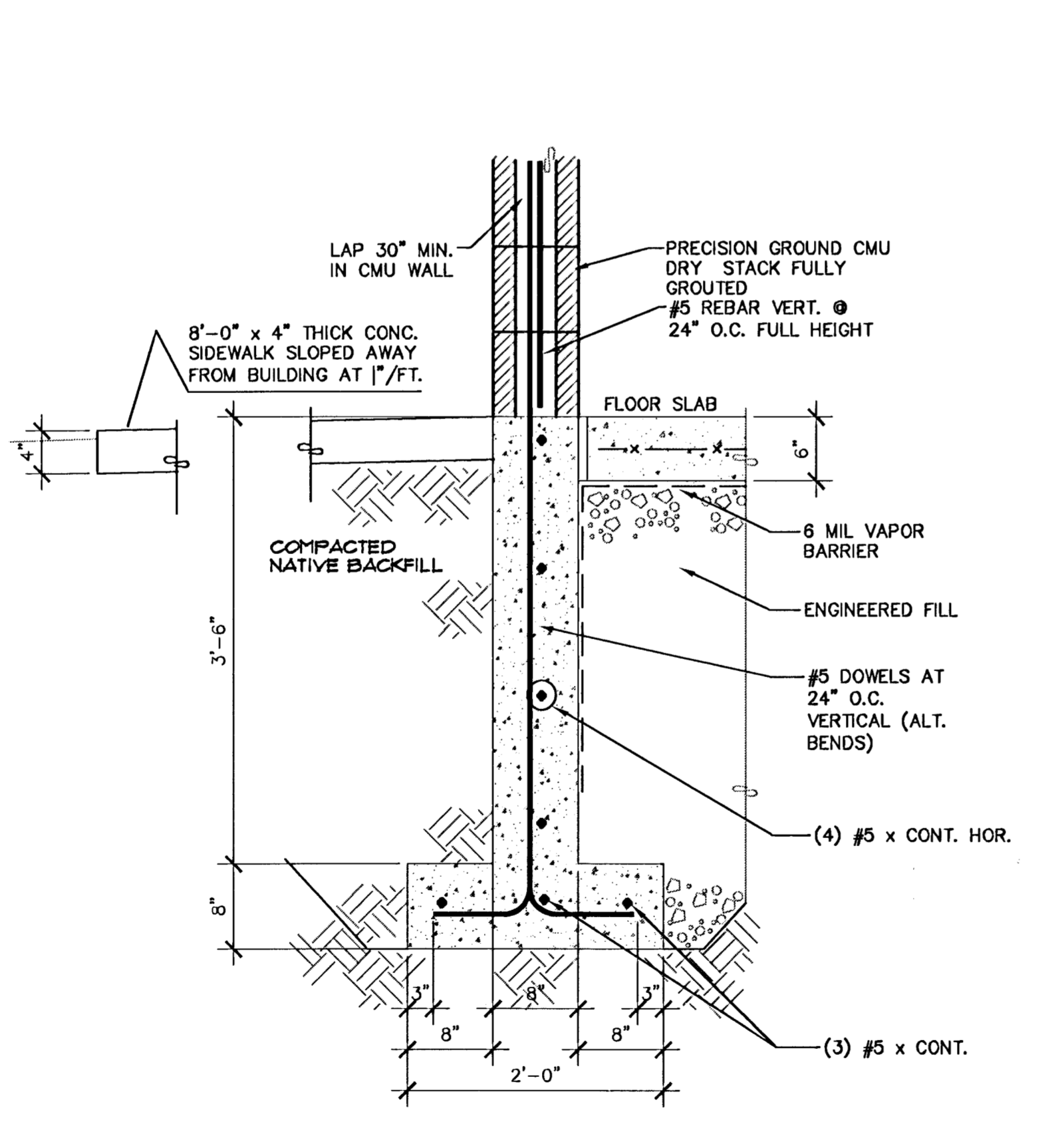
CONCRETE WALK JOINT SPACING

CONTRACTION JOINTS			EXPANSION JOINTS
WIDTH	TRANSVERSE	LONGITUDINAL	
4'	4'	NOT REQ'D	40' MAX
6'	6'	NOT REQ'D	42' MAX
8'	4'	4'	40' MAX
10'	5'	5'	40' MAX
12'	6'	6'	42' MAX

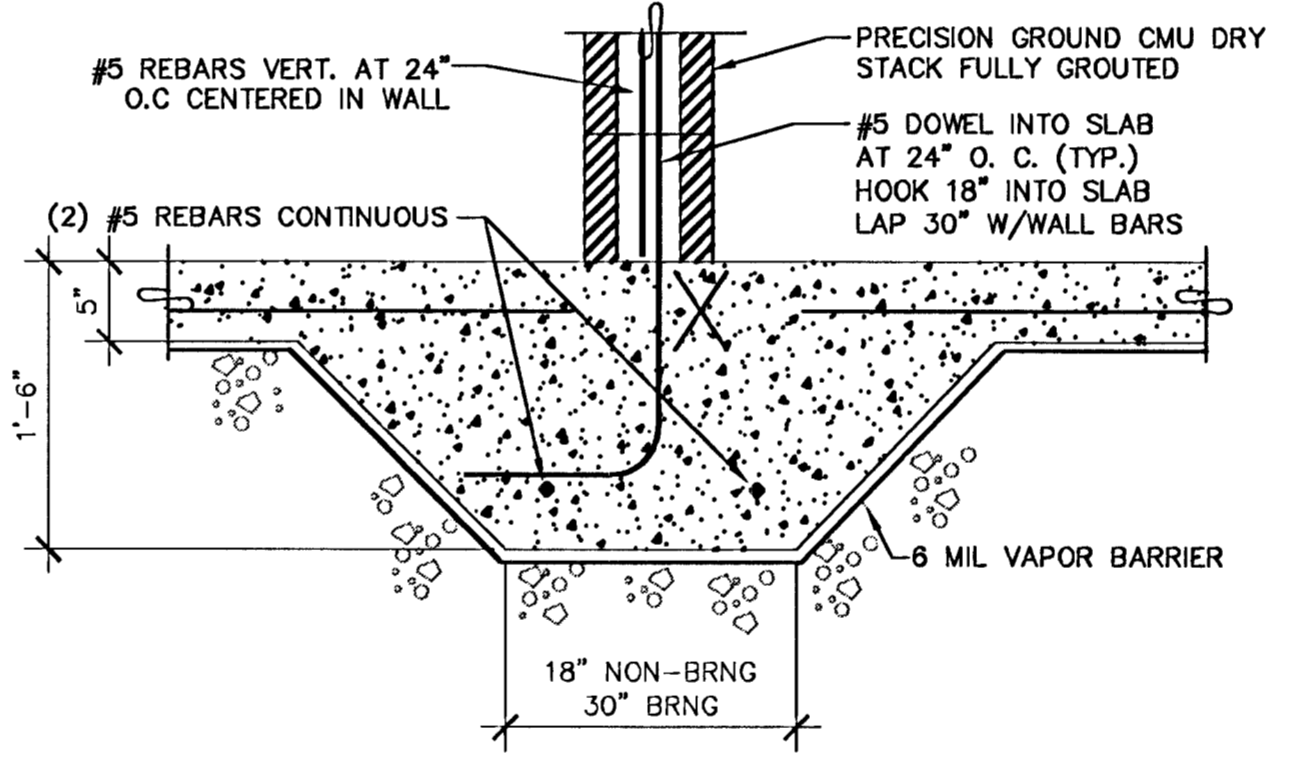
NOTE: ALL CONCRETE WALKS IS NONSTRUCTURAL



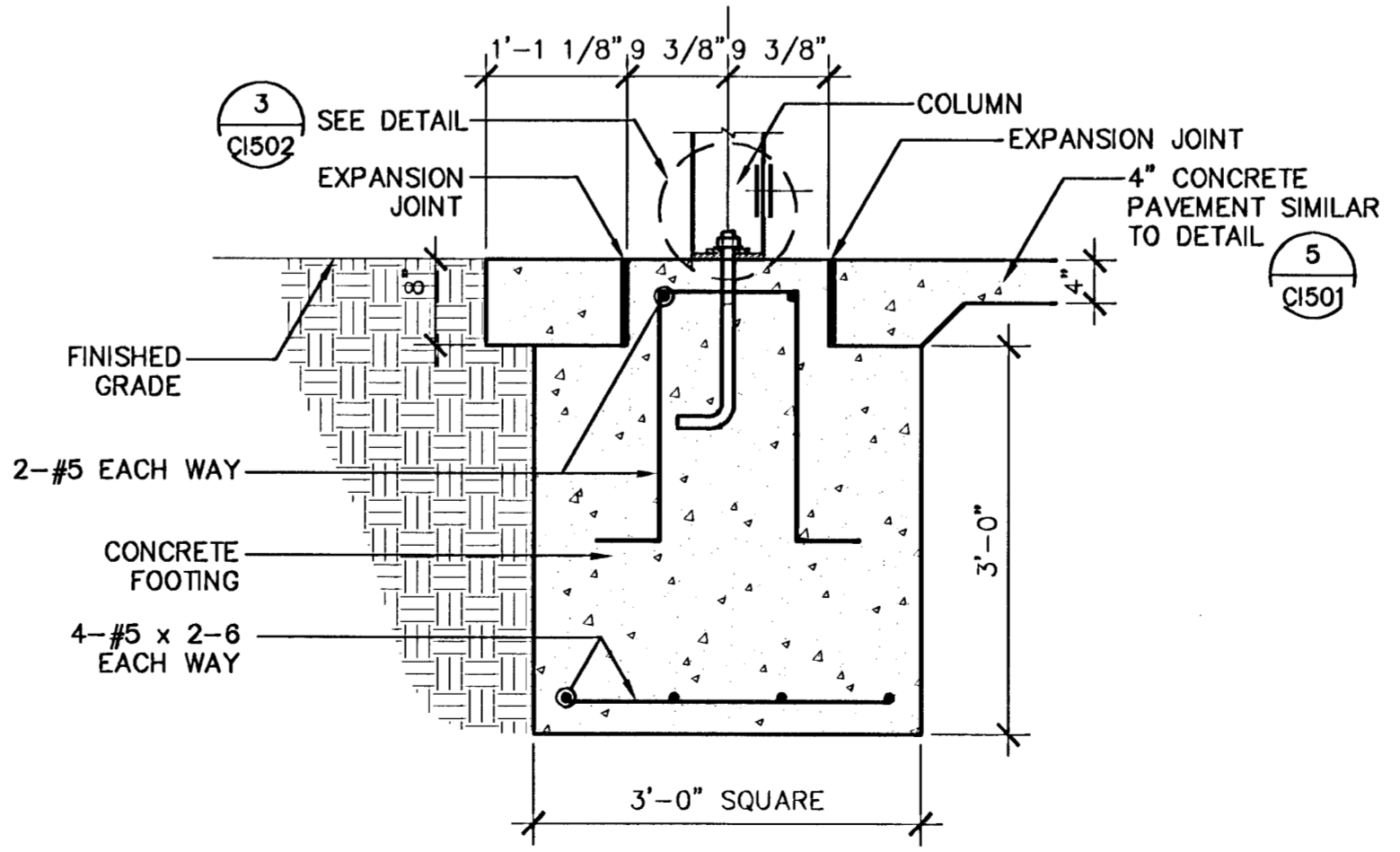
5 CONCRETE WALK
 0' 6" 1' 2' 3/4"=1'-0"



6 FOUNDATION FOOTING FOR BUILDINGS
 0' 0.5' 1' 2' 1"=1.0'



7 THICKENED SLAB FOR BUILDINGS
 0' 0.5' 1' 2' 1"=1.0'



8 PICNIC SHELTER FOOTINGS
 0' 6" 1' 2' 3/4"=1'-0"



GROVE PARK IMPROVEMENTS
 PROJECT NAME

SITE DETAILS
 SHEET TITLE

SRB DESIGN BY: LES
 DRAWN BY: LES
 DATE: OCTOBER 2001

TDM CHECKED BY: TDM
 C1501 / 50
 SHEET OF

1003.010
 JOB NO.