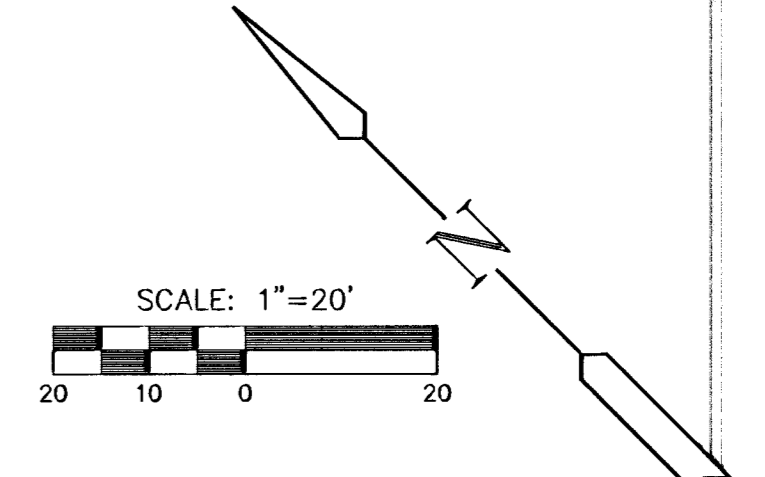


CURVE TABLE					
$\Delta = 45^{\circ}00'00''$ R = 150.00' T = 62.13' L = 117.81' LC = 114.81'					
CURVE DATA BASED ON CENTERLINE $\Delta/2 = 22^{\circ}30'00''$					
STATION	ARC	CHORD LENGTH		DEFLECTION	TOTAL DEFLECTION
		13' Off LICb	13' Off RICb		
19+74.09	-	-	-	00'00'00"	00'00'00"
20+00.00	25.91'	30.19'	21.56'	04'56'54"	04'56'54"
20+25.00	25.00'	29.13'	20.81'	04'46'29"	09'43'23"
20+50.00	25.00'	29.13'	20.81'	04'46'29"	14'29'52"
20+75.00	25.00'	29.13'	20.81'	04'46'29"	19'16'21"
20+91.90	16.90'	19.71'	14.08'	03'13'39"	22'30'00"

Def/Ft = 11.45915 Min.

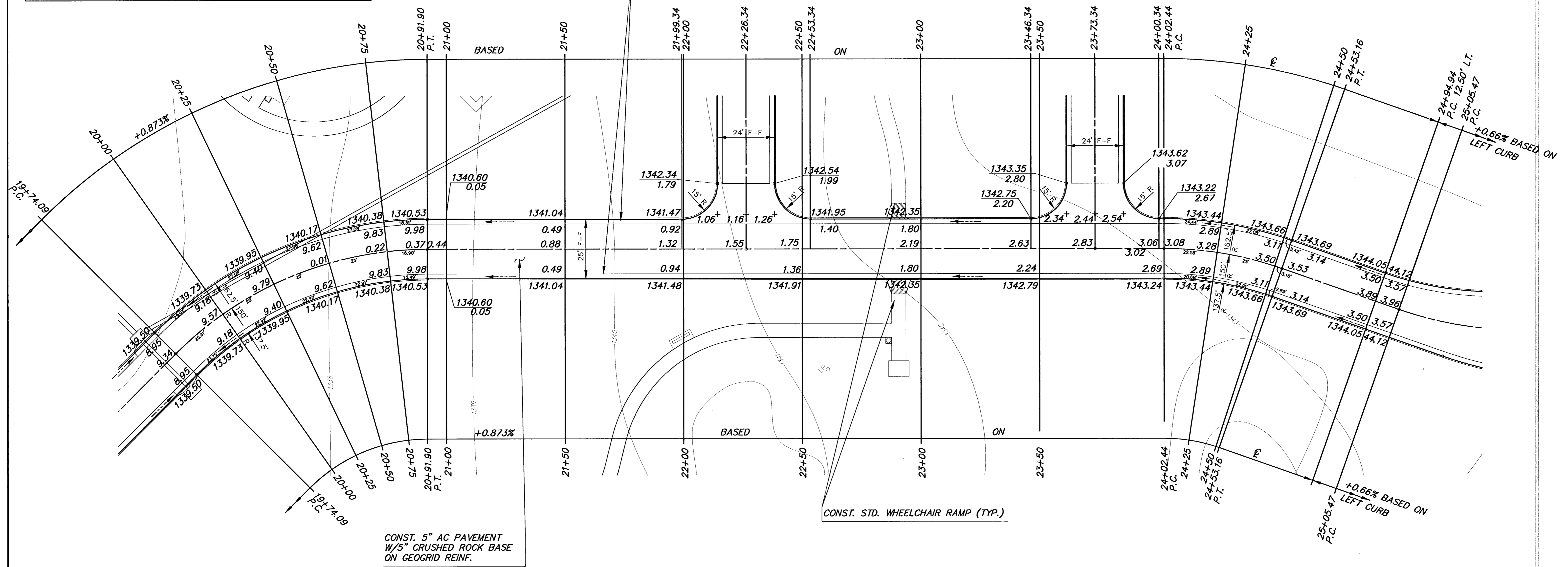
CURVE TABLE					
$\Delta = 19^{\circ}22'19''$ R = 150.00' T = 25.60' L = 50.72' LC = 50.47'					
CURVE DATA BASED ON CENTERLINE $\Delta/2 = 09^{\circ}41'09''$					
STATION	ARC	CHORD LENGTH		DEFLECTION	TOTAL DEFLECTION
		13' Off LICb	13' Off RICb		
24+02.44	-	-	-	00'00'00"	00'00'00"
24+25.00	22.56'	26.30'	18.78'	04'18'31"	04'18'31"
24+50.00	25.00'	29.13'	20.81'	04'46'29"	09'05'00"
24+53.16	3.16'	3.68'	2.63'	00'36'10"	09'41'09"

Def/Ft = 11.45915 Min.



CONSTRUCT COMBINED CURB AND GUTTER (FULL CURB, 6 5/8")

SEE SHEET CP 108 FOR PARKING LOT CONSTRUCTION



NOTE:
TOP OF CURB ELEVATIONS SHOWN ARE FOR FULL CURB.

 GessonLivingston Architecture 1200 S. Main Wichita, KS 67202 316-684-9600	 MKEC ENGINEERING CONSULTANTS 411 N. WEBB ROAD WICHITA, KS. 67206 316-684-9600		GROVE PARK IMPROVEMENTS PROJECT NAME	
			STREET PAVING SHEET TITLE	
	JTC DESIGN BY:	DM DRAWN BY:	GJA CHECKED BY:	
	OCTOBER 2001 DATE	01060E5 JOB NO.	CP 105 / 50 SHEET/OF	