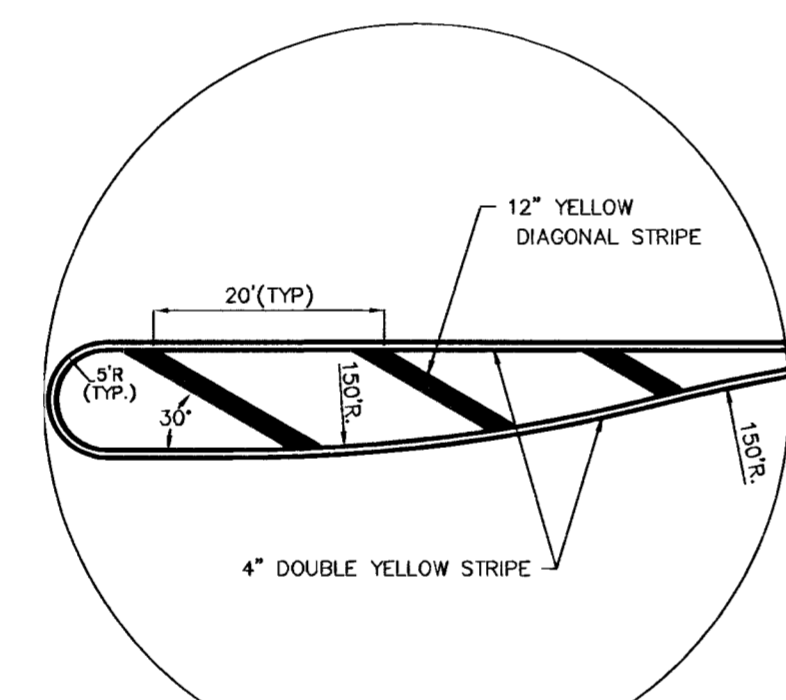
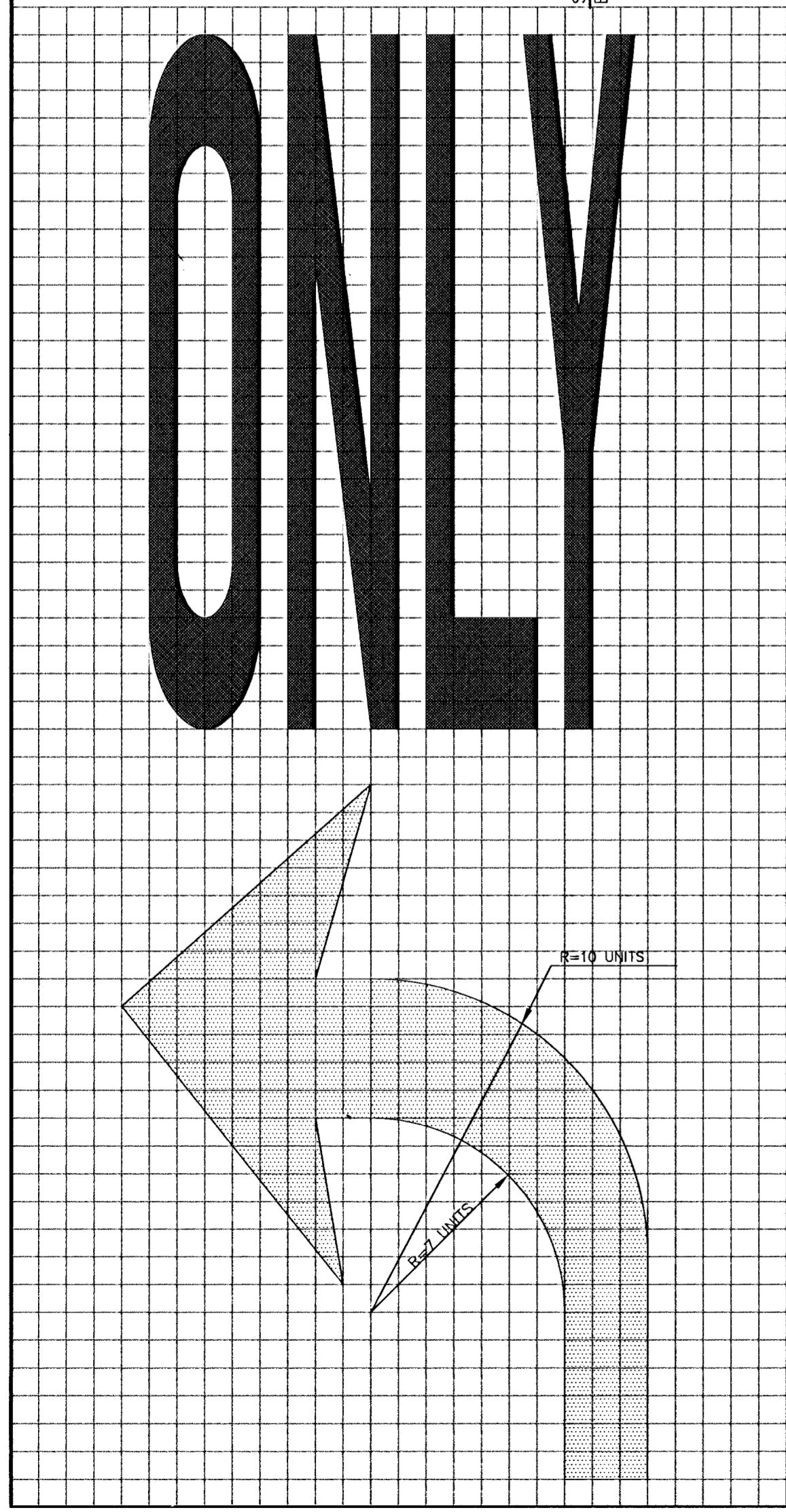


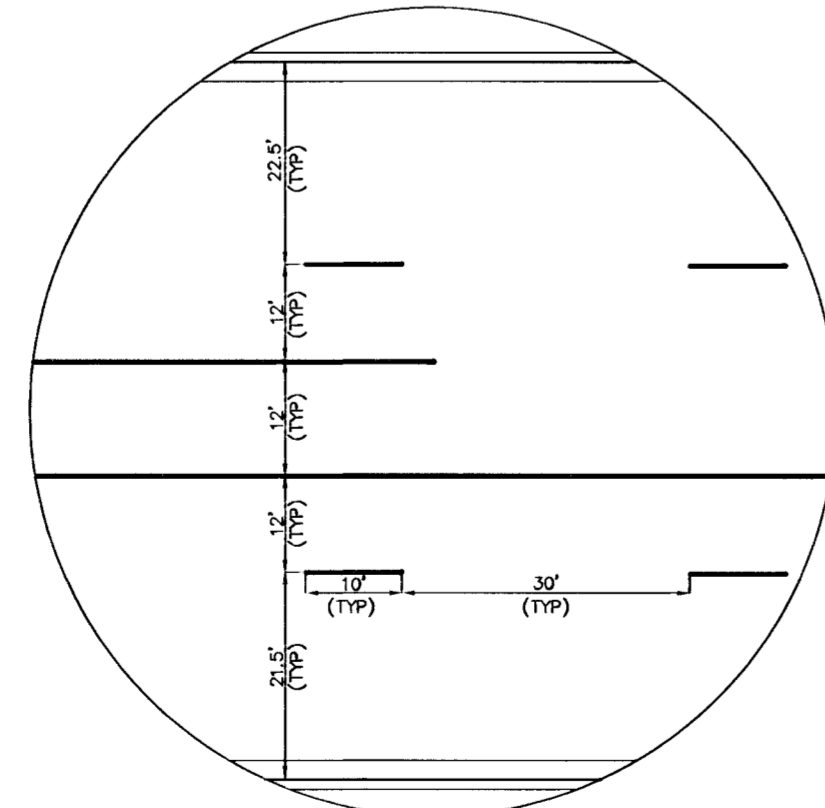
SCALE: 1"=40'

SCALE: 1"=40'

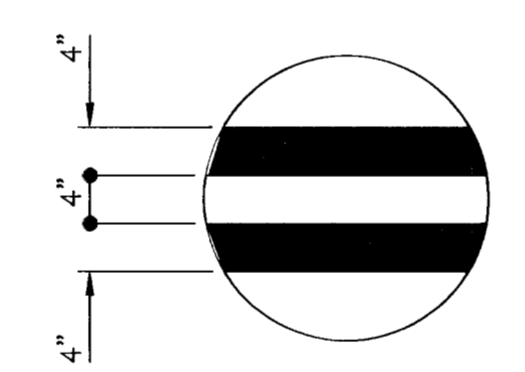
SCALE: 1"=40'



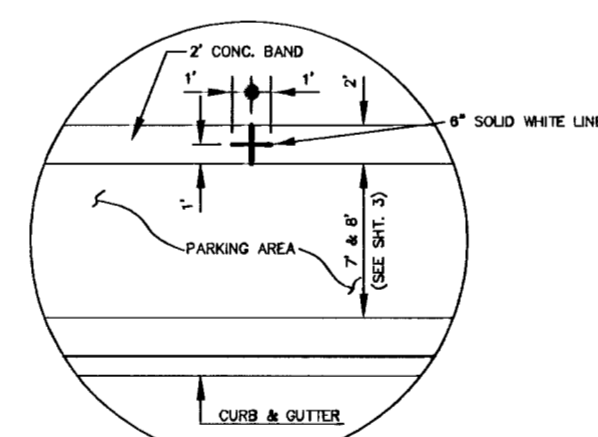
DETAIL A



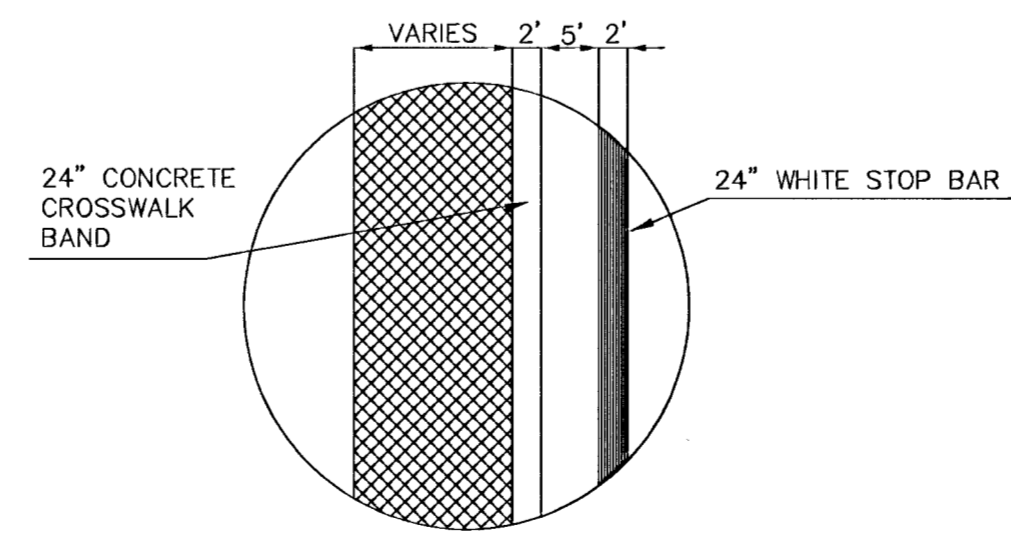
DETAIL C



DETAIL B



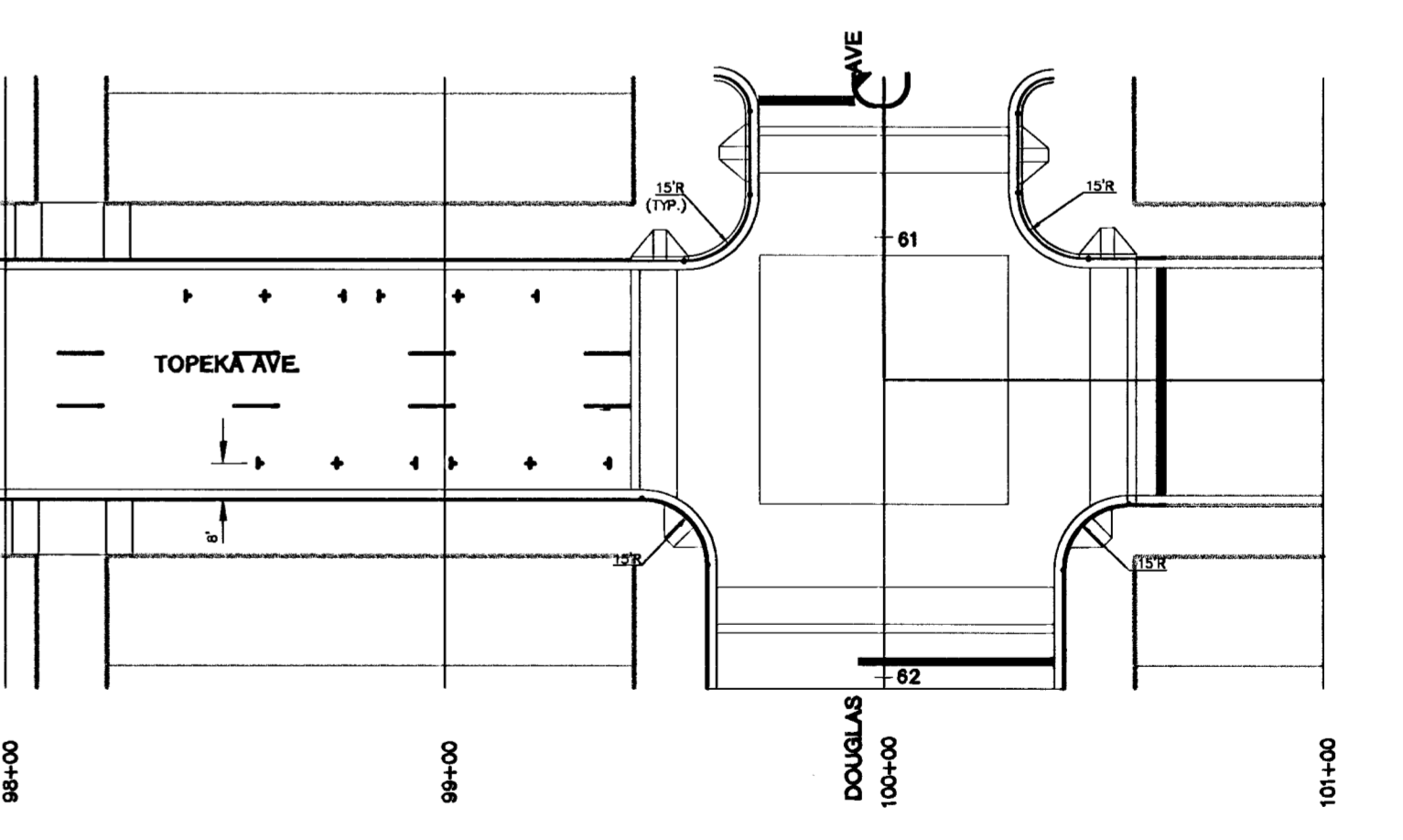
DETAIL D



TYPICAL CROSSWALK DETAIL

NOTE:  
PAVEMENT MARKING DETAILS ARE SHOWN ON A 5mm GRID TO FACILITATE ENLARGEMENT. TO OBTAIN CHARACTERS OF ANY HEIGHT, DIVIDE THE DESIRED HEIGHT IN MILLIMETERS BY 25 AND USE THIS VALUE FOR THE SIDE DIMENSION OF THE GRID UNIT. FOR EXAMPLE, CHARACTERS 2.5 METERS HIGH WILL REQUIRE A GRID UNIT DIMENSION OF 100 MILLIMETERS. ALL CHARACTERS AND SYMBOLS SHALL BE 8 FEET OR MORE IN HEIGHT.

BILL OF MATERIALS		
ITEMS	TOTAL	UNITS
COLD PLASTIC MARKING (CL. A)(6")	1230	LIN. FT.
COLD PLASTIC MARKING (CL. A)(24")	425	LIN. FT.
COLD PLASTIC MARKING (CL. B)(4")	2195	LIN. FT.
COLD PLASTIC MARKING (CL. B)(12")	175	LIN. FT.
COLD PLASTIC MARKING (CL. A) TURN ARROW	6	EACH
COLD PLASTIC MARKING (CL. A) ONLY	4	EACH



Revised 4/99

**STREETSCAPES**  
PROJECT NAME

**PAVEMENT MARKINGS**  
SHEET TITLE

MID-KANSAS ENGINEERING CONSULTANTS, INC.  
411 N. WEBB ROAD  
WICHITA, KS. 67206  
316-684-9600

DCH DESIGN BY: SWM DRAWN BY: DCH CHECKED BY:

DATE: 92010 JOB NO. 17 / 61 SHEET/OF