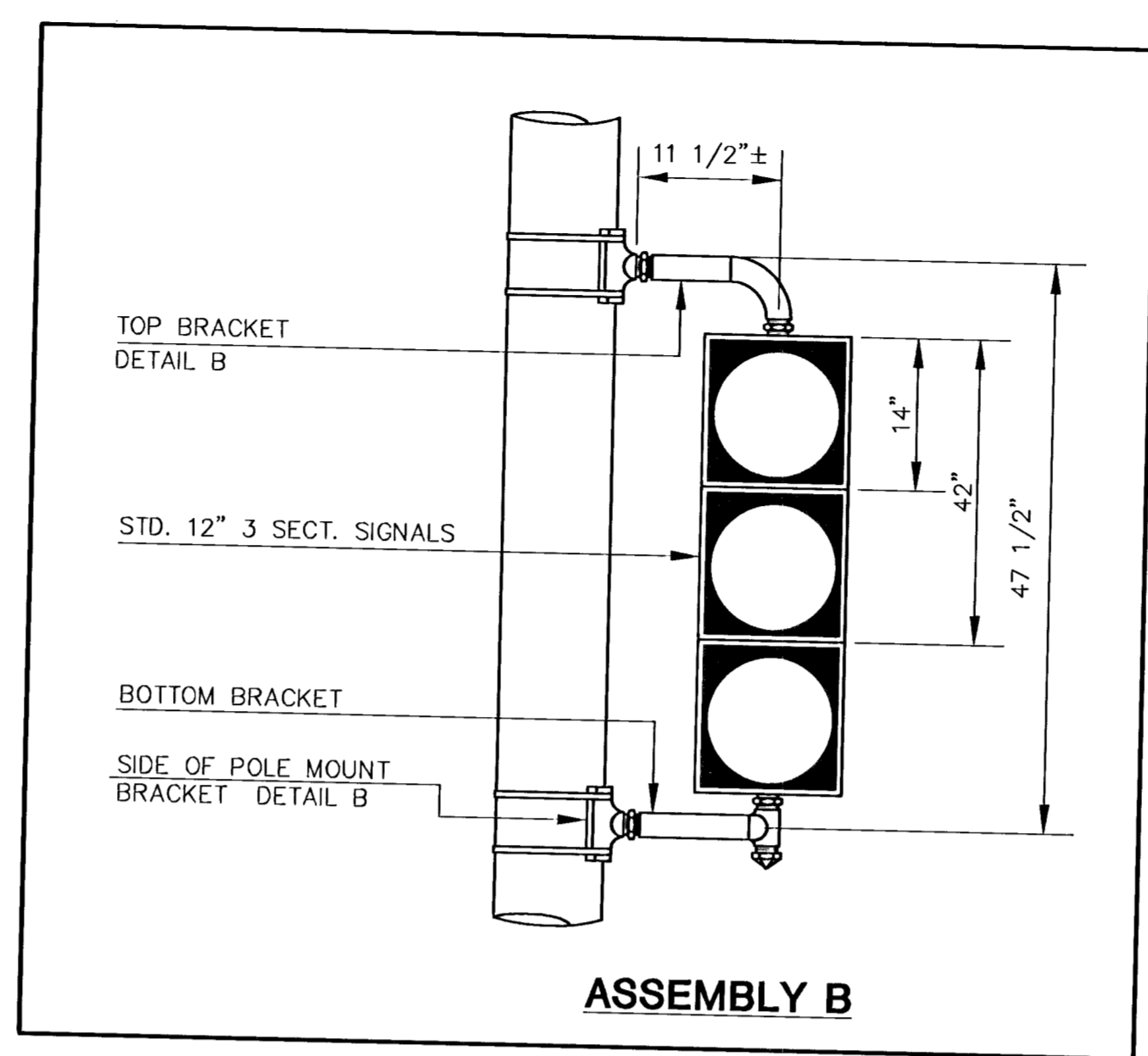
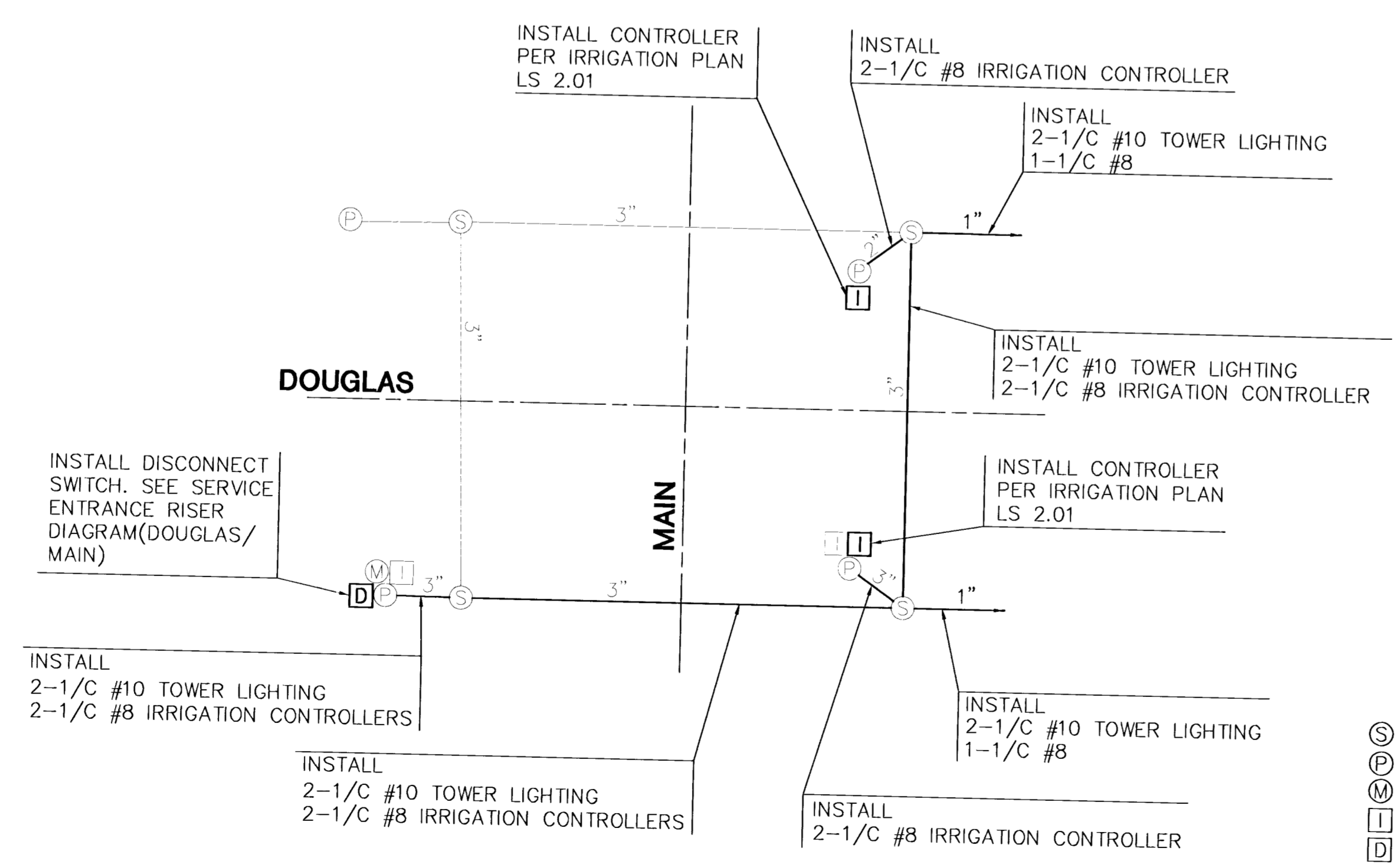
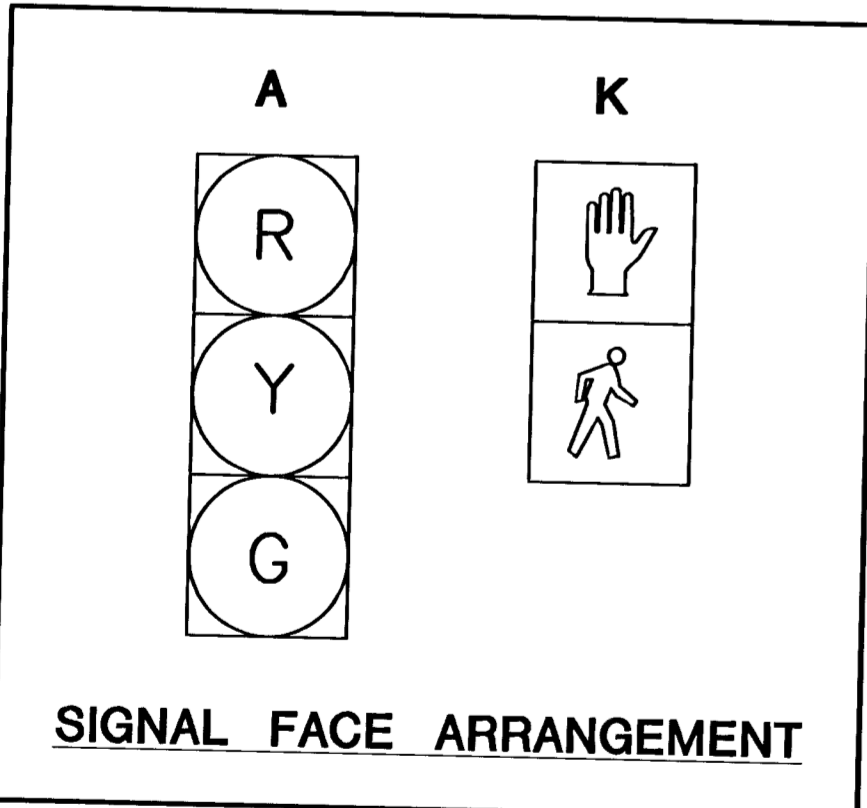
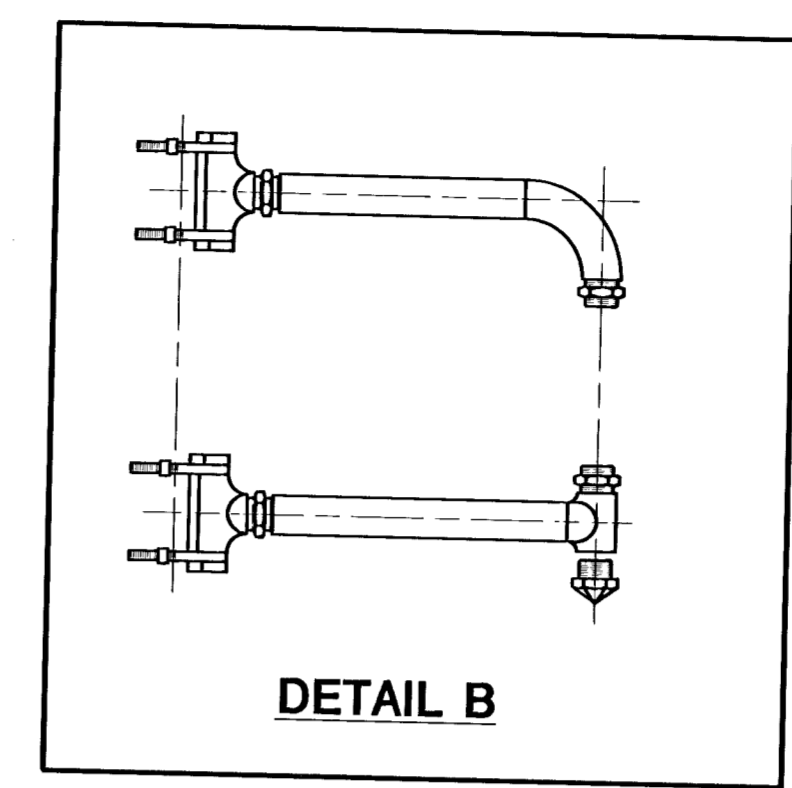


SERVICE ENTRANCE RISER DIAGRAM
 TYPICAL AT INTERSECTIONS WITH IRRIGATION CONTROLLERS & TOWER LIGHTING
 NO SCALE
 120/240V-1φ-3 WIRE

SEE PROJECT PLANS FOR WIRING AND CONDUIT SIZING.

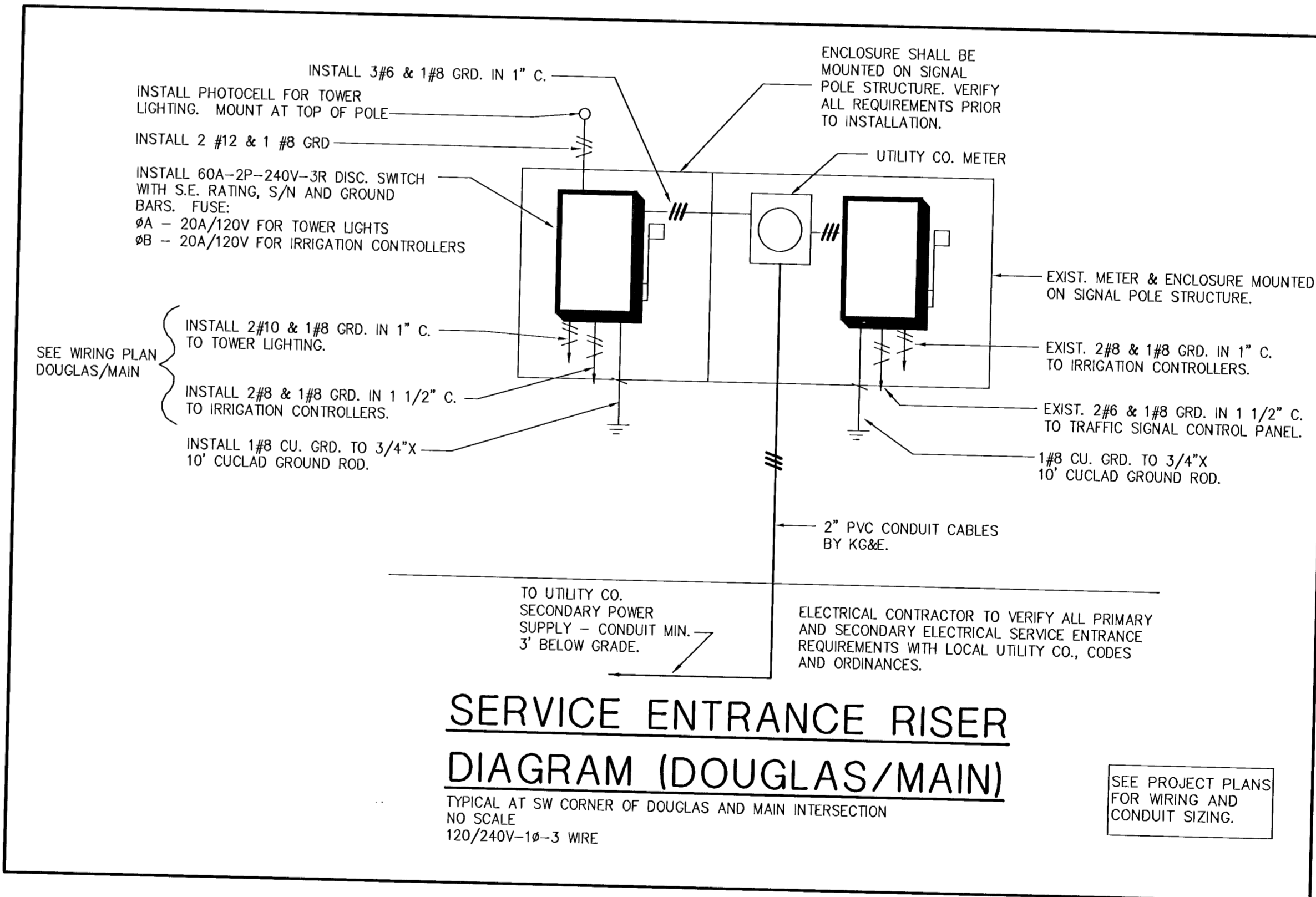


ASSEMBLY B



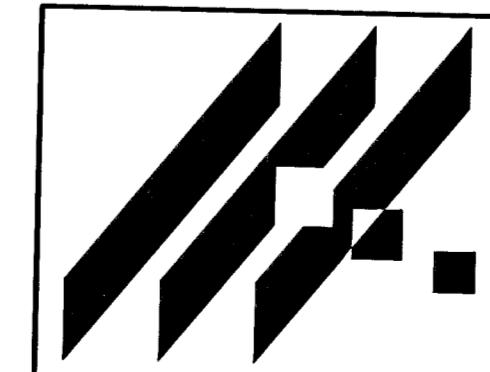
WIRING PLAN (DOUGLAS/MAIN)

- Ⓢ -- SERVICE BOX
- Ⓟ -- SIGNAL POLE
- Ⓜ -- METER & DISCONNECT
- Ⓛ -- IRRIGATION CONTROLLER
- ⓓ -- DISCONNECT SWITCH



SERVICE ENTRANCE RISER DIAGRAM (DOUGLAS/MAIN)
 TYPICAL AT SW CORNER OF DOUGLAS AND MAIN INTERSECTION
 NO SCALE
 120/240V-1φ-3 WIRE

SEE PROJECT PLANS FOR WIRING AND CONDUIT SIZING.



MID-KANSAS ENGINEERING CONSULTANTS, INC.
 411 N. WEBB ROAD
 WICHITA, KS. 67206
 316-684-9600

STREETSCAPES
 PROJECT NAME

MISC. SIGNAL DETAILS
 SHEET TITLE

DESIGN BY: **MKEC** DRAWN BY: **DCH**
 CHECKED BY:

Oct. 1995 DATE **92010** JOB NO. **28 / 61** SHEET / OF

REVISED: 4/99
 REVISED: APRIL 1998