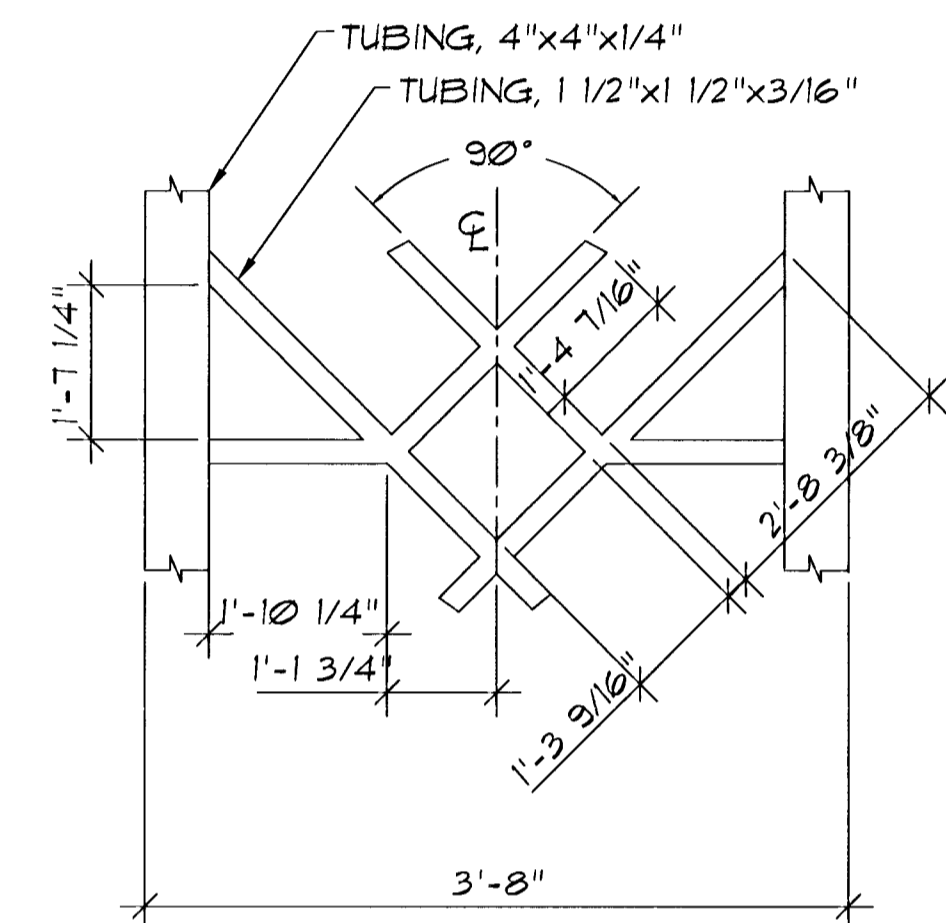
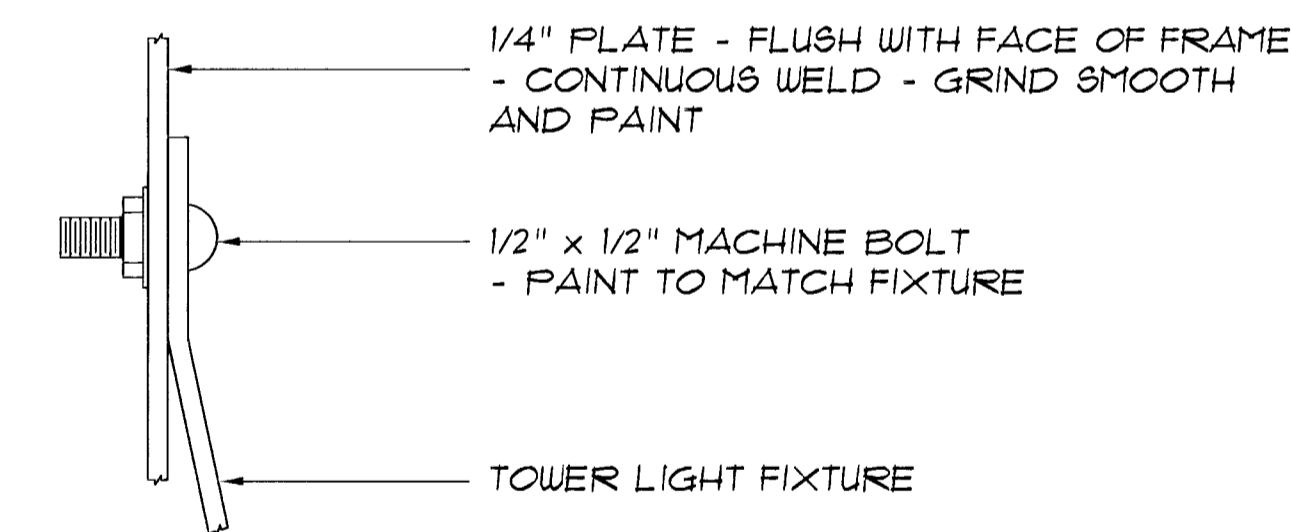


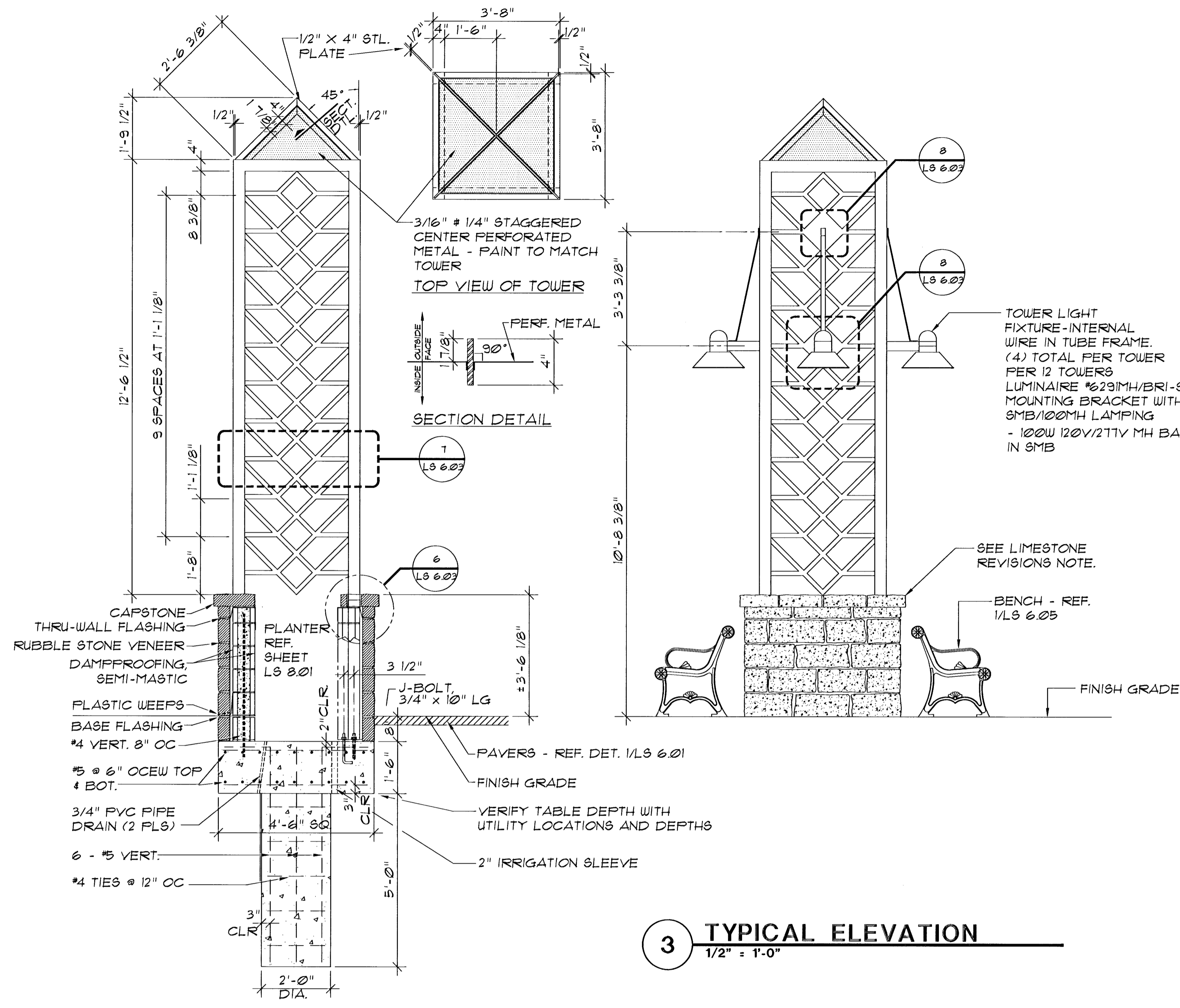
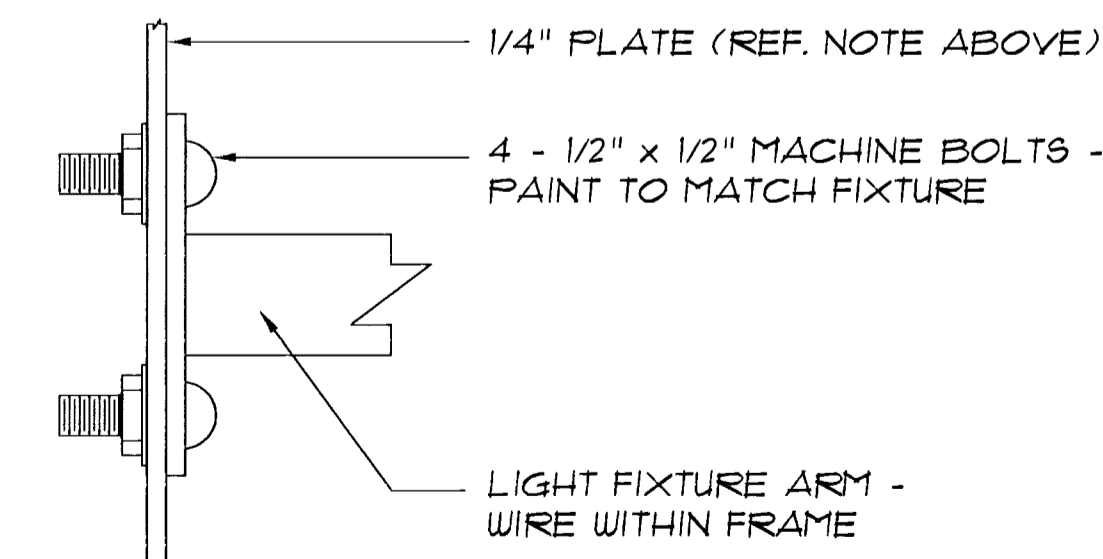
6 POST PENETRATION
1" = 1'-0"



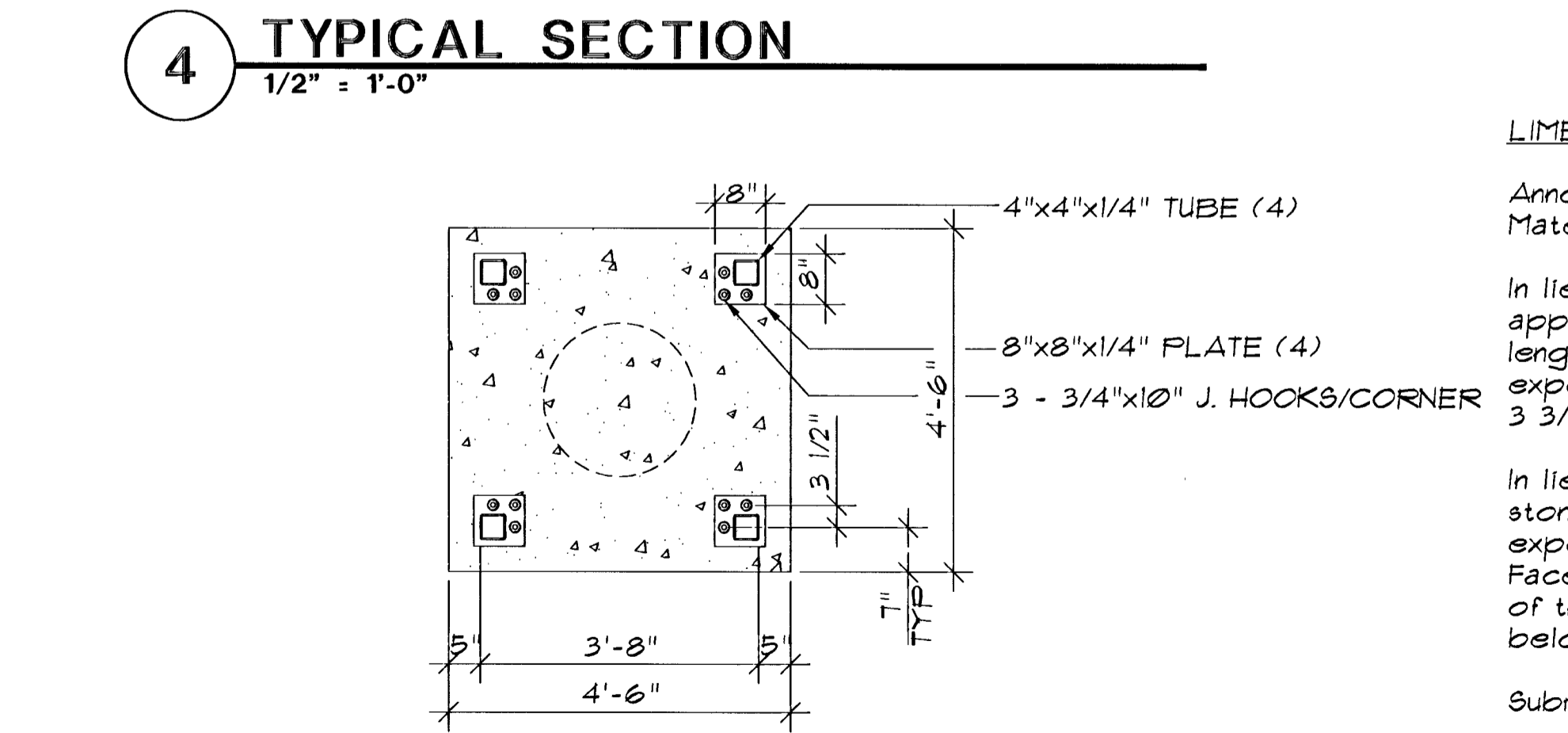
7 LATTICE PATTERN
1" = 1'-0"



8 LIGHT FIXTURE CONNECTIONS
NTS

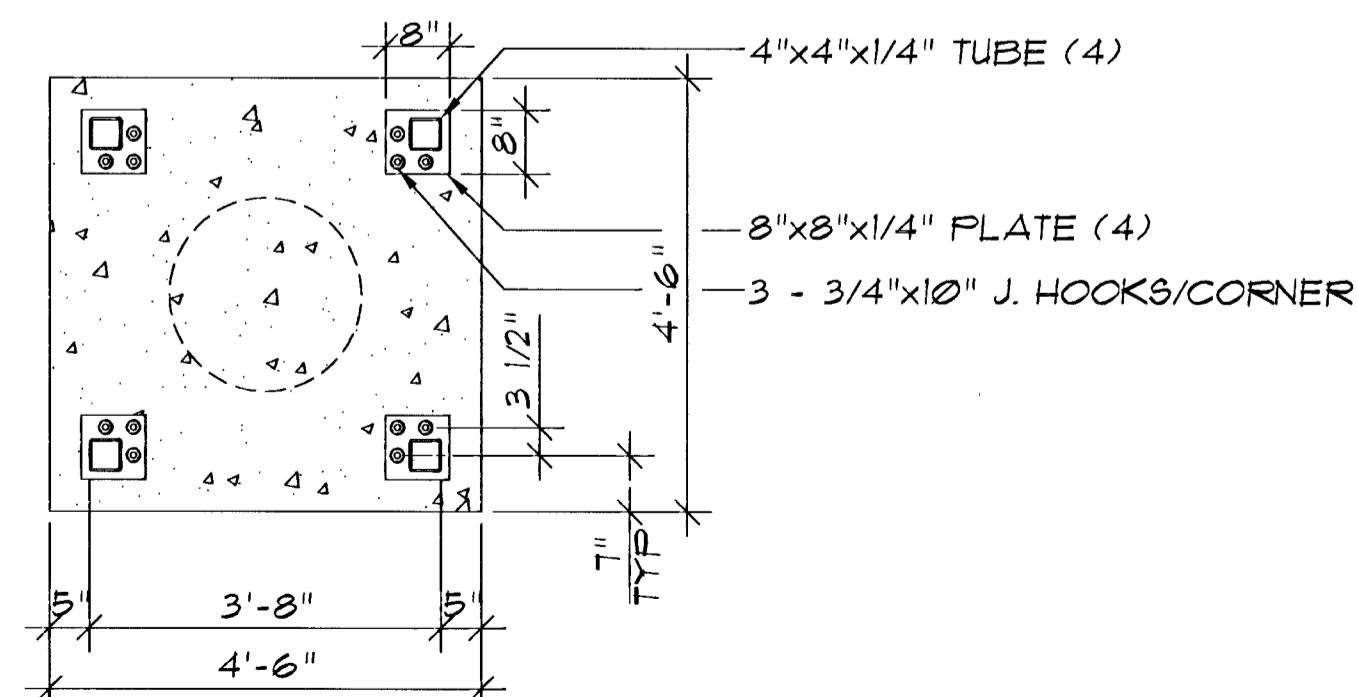


3 TYPICAL ELEVATION
1/2" = 1'-0"



4 TYPICAL SECTION
1/2" = 1'-0"

5 FOUNDATION PLAN
1/2" = 1'-0"



3 TYPICAL ELEVATION
1/2" = 1'-0"

LIMESTONE REVISIONS NOTE:

Annotations to Specifications, Section 04210 Stone Masonry Work, Part 2.00 Materials, 2.01 Limestone, and Drawings Sheet LS 6.03.

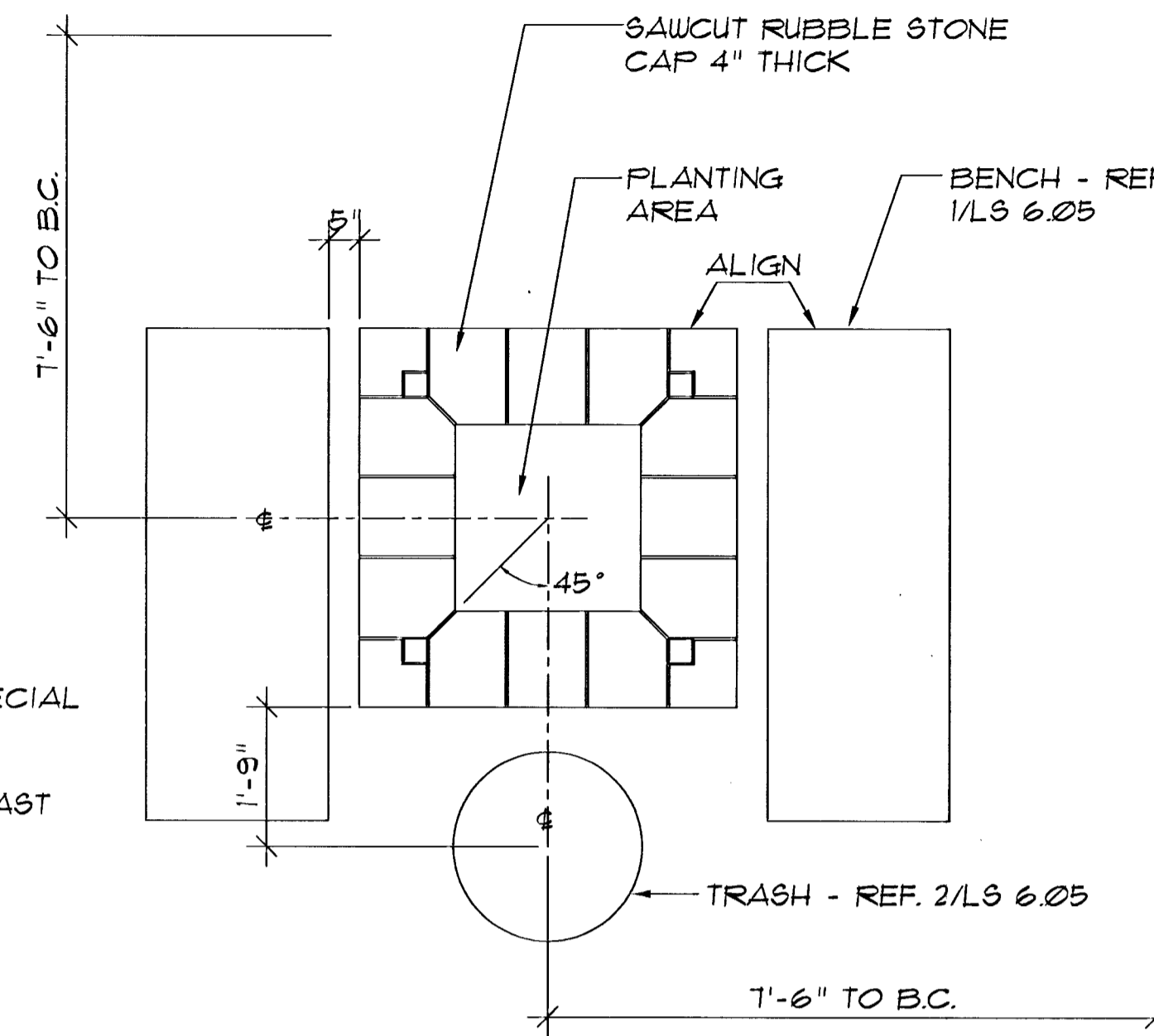
In lieu of Rubble Limestone, the stone veneer pattern is to be of approximately equal 8" height horizontal courses, with random 12" to 18" ± face lengths with staggered vertical joints. Texture of face and ends where exposed shall be Natural Cleft, Pitched Face. Bed thickness to nominal 3 3/4"-4".

In lieu of the 4" height (vertical dimension) cap stone, provide 8" height cap stone, with Natural Cleft, Pitched Face, texture on face, and ends where exposed. Texture on top surface of cap stone to be Natural Cleft, Pitched Face if possible or Split Face is acceptable on the top surface. The face of the cap stone is to be in approximately the same plane as the stone face below versus the 1 1/2" overhang as detailed.

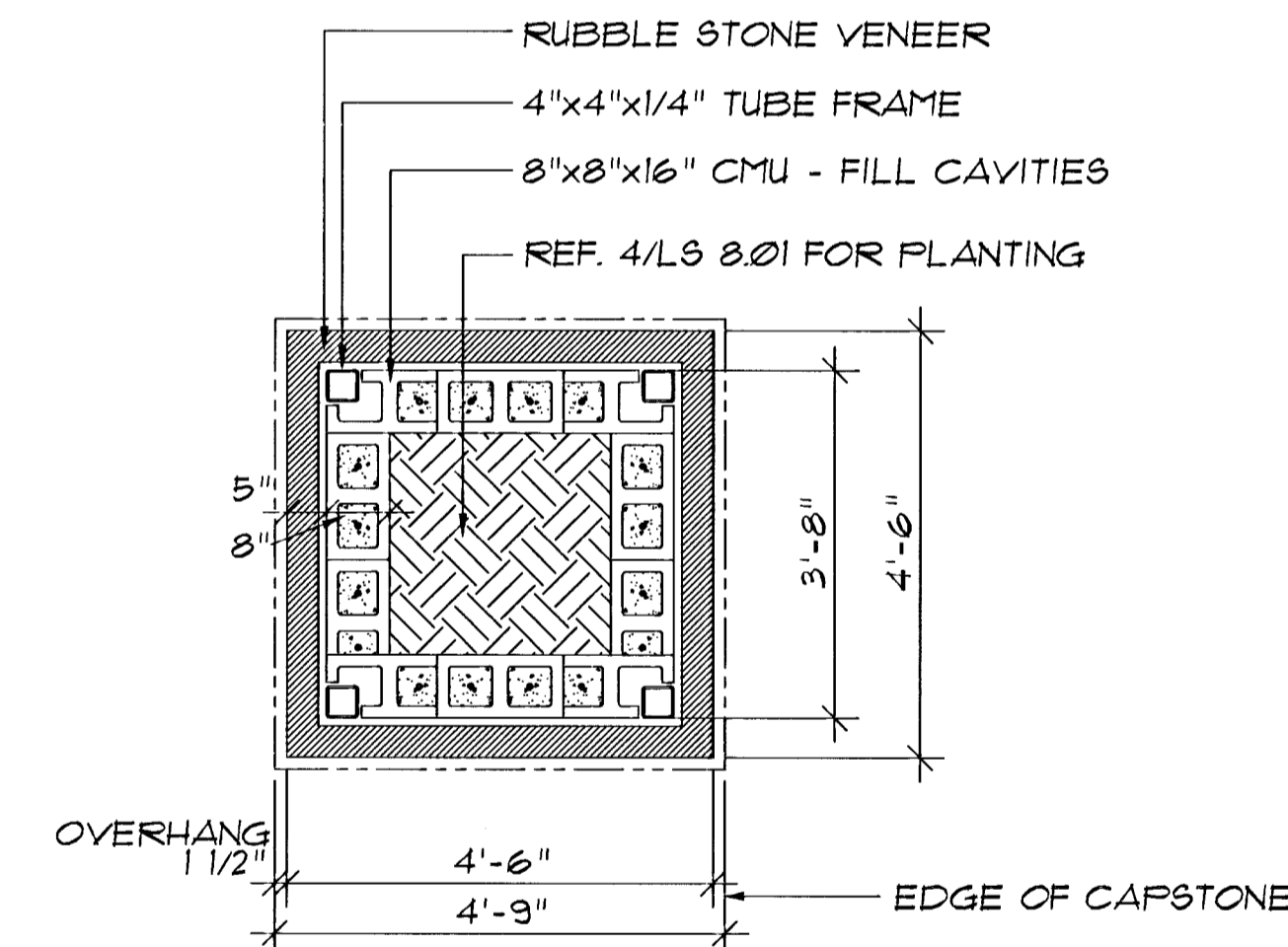
Submit shop drawings of the stone veneer tower bases for approval.

Samples: Submit a minimum of two sets of samples approximately 6"x6" in size. Each set is to include the full range of exposed color and texture to be expected in the completed work.

Other provisions of section 04210 are unchanged.



1 FURNITURE LAYOUT
1/2" = 1'-0"



2 WALL PLAN
1/2" = 1'-0"

Revised 4/99

the swa group

Landscape Architecture 2211 N. Lamar, Suite 400
Site Planning Dallas, TX 75202
Urban Design 214-954-0016



DOUGLAS STREETSCAPES

PROJECT NAME

TOWER DETAILS

SHEET TITLE

MID-KANSAS ENGINEERING CONSULTANTS, INC.
411 N. WEBB ROAD
WICHITA, KS. 67206
316-684-9600

DT

DESIGN BY:

OCT '95

DATE

PM, EM, LJ

CHECKED BY:

SWA MKC-251

1/08 NO.

JM

CHECKED BY:

LS 6.03

SHEET/OF