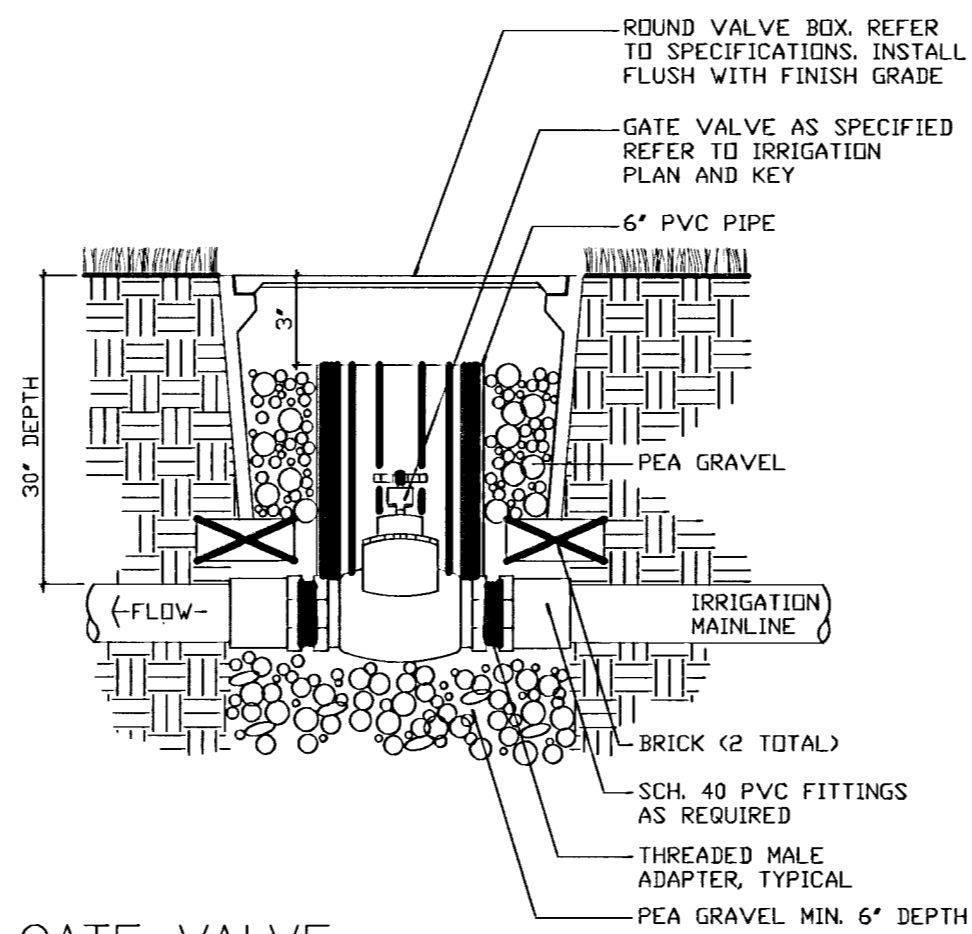
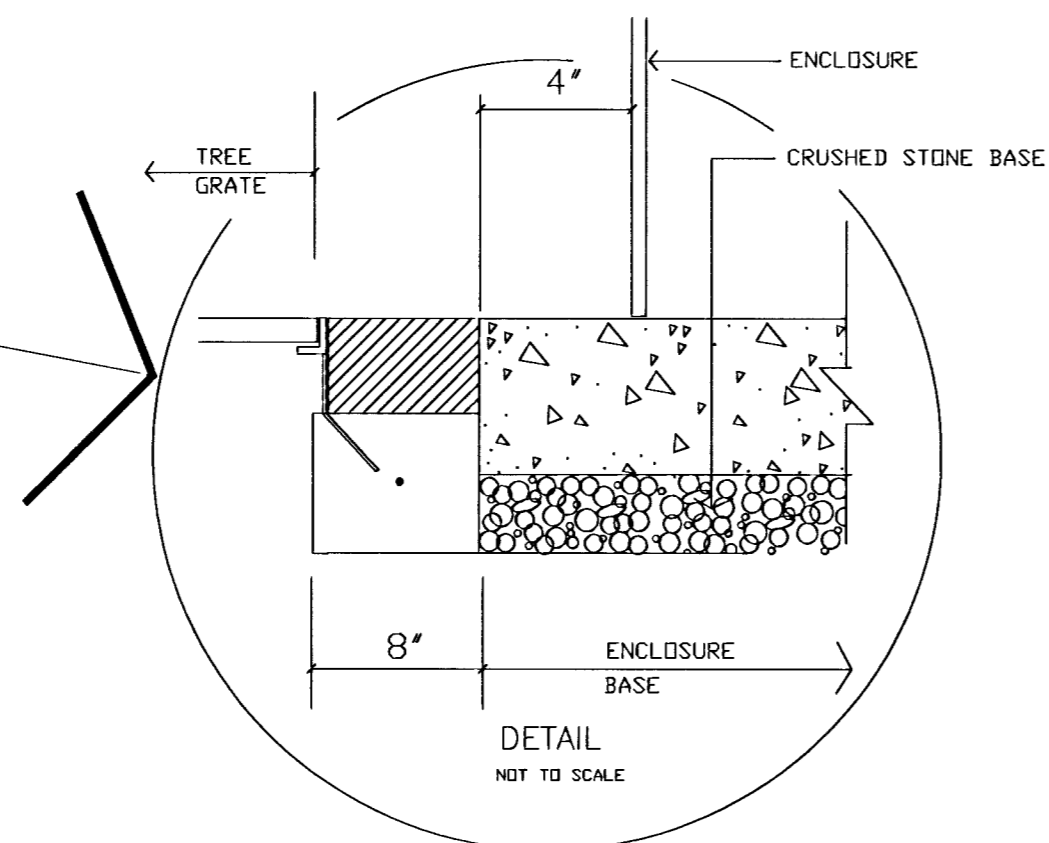
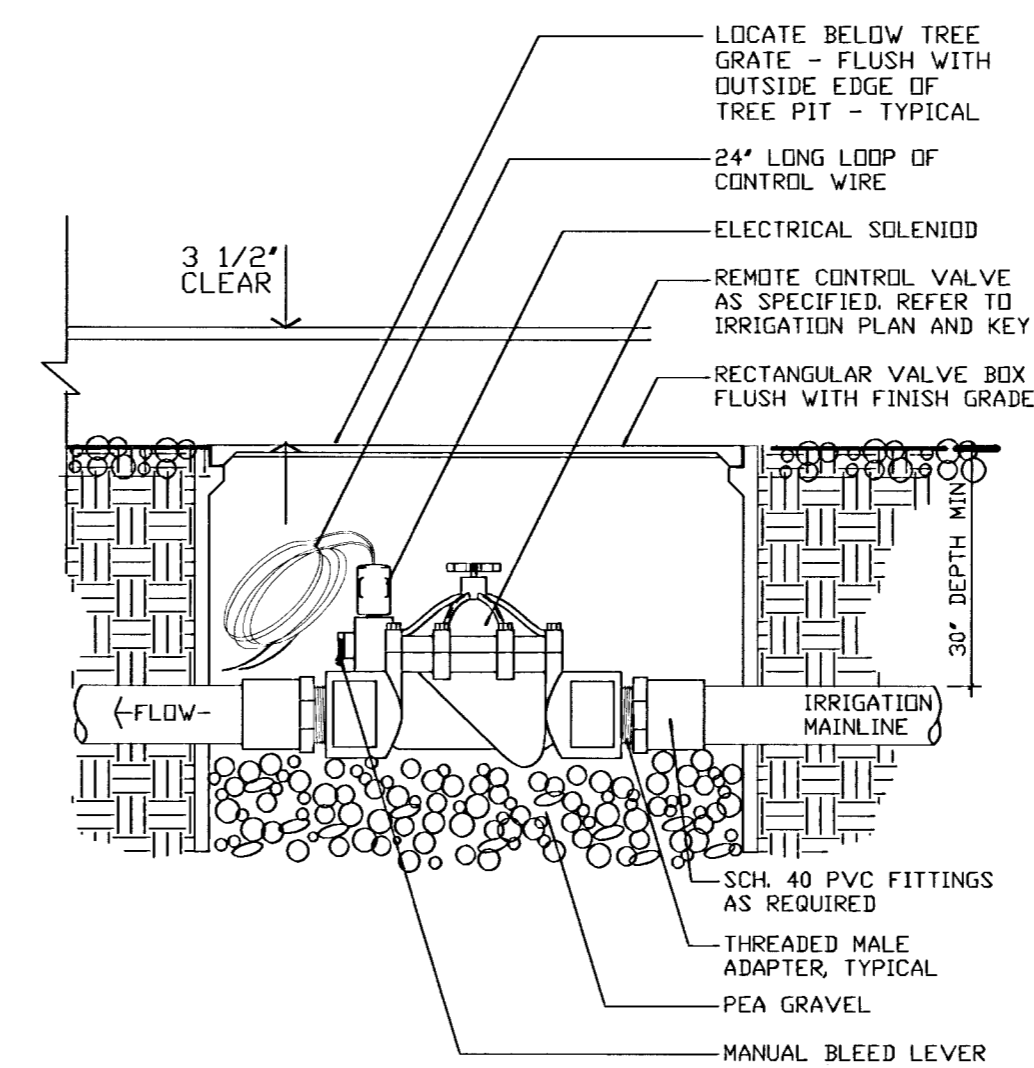


- LEGEND**
1. BACKFLOW ENCLOSURE AS MFG. BY STRONGBOX, INC., ONTARIO, CA. MODEL #SBBC-30AL COLOR: PER CITY OF WICHITA
 2. BACKFLOW PREVENTER.
 3. ANCHOR ROD (TYPICAL).
 4. POURED CONCRETE BASE - 6" MIN. THICKNESS - EXTEND 4" BEYOND OUTSIDE DIMENSIONS OF ENCLOSURE. FORM OUTSIDE EDGES PARALLEL TO CURB OR TREE GRATE. SMOOTH TROWEL FINISH ON ALL EXPOSED CONCRETE.
 5. WATER SERVICE INLET PIPING.
 6. 3/4" WASHED ROCK.
 7. WATER SERVICE OUTLET PIPING.
 8. FINISH GRADE/PAVERS.

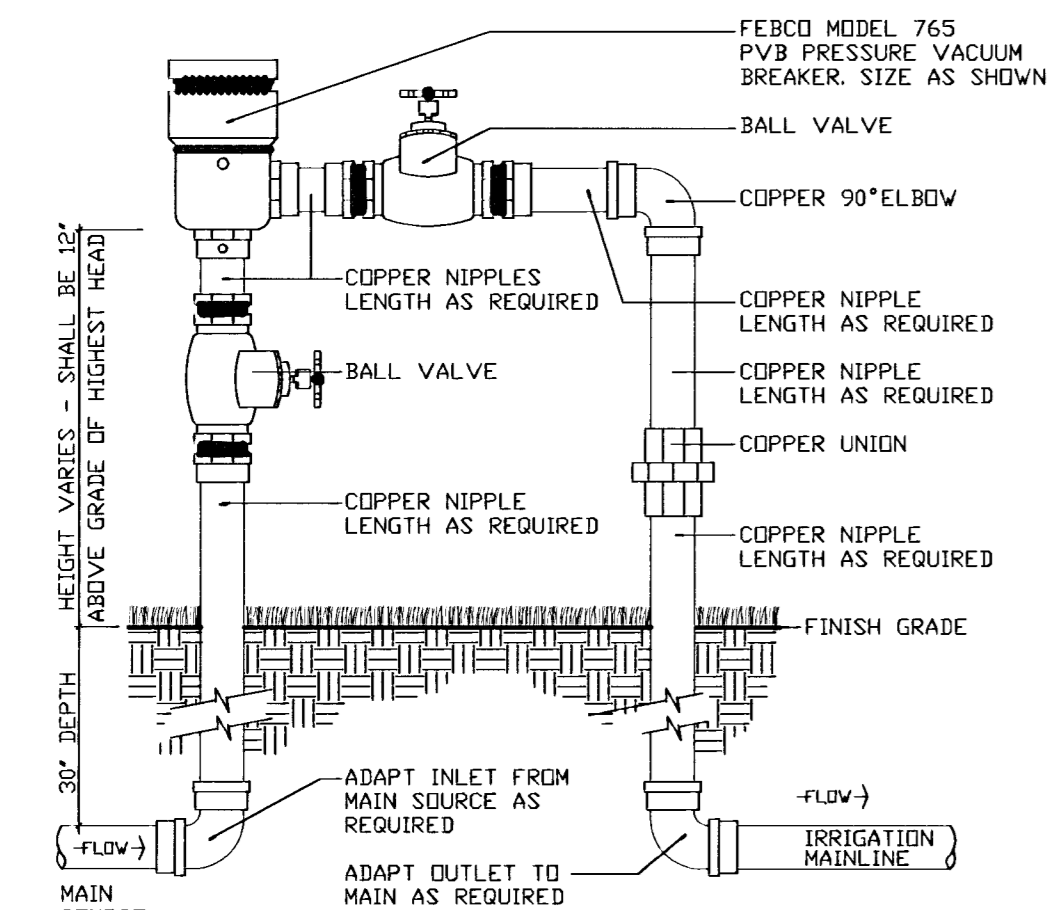
ALUMINUM BACKFLOW ENCLOSURE
NOT TO SCALE



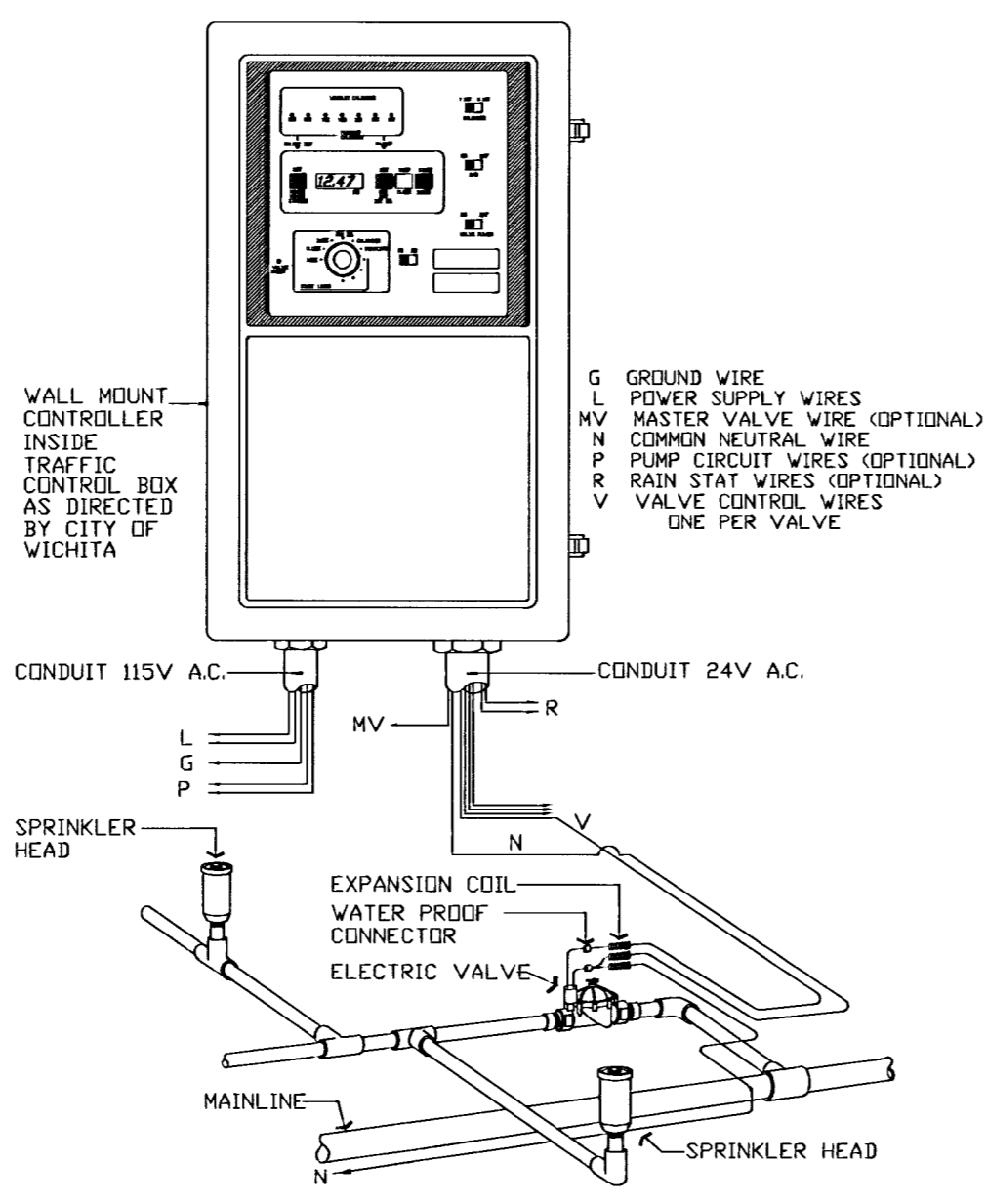
GATE VALVE
NOT TO SCALE



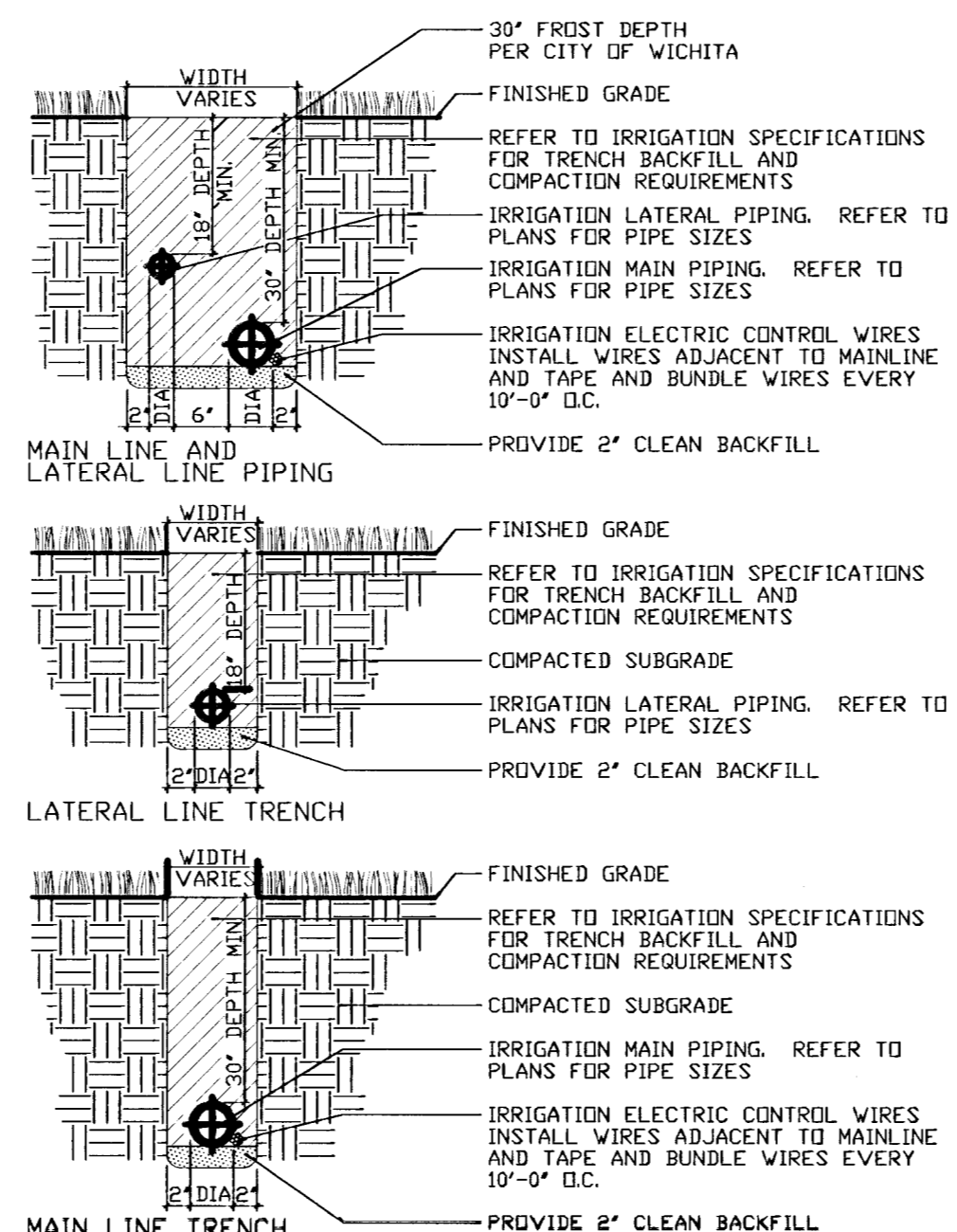
REMOTE CONTROL VALVE
NOT TO SCALE



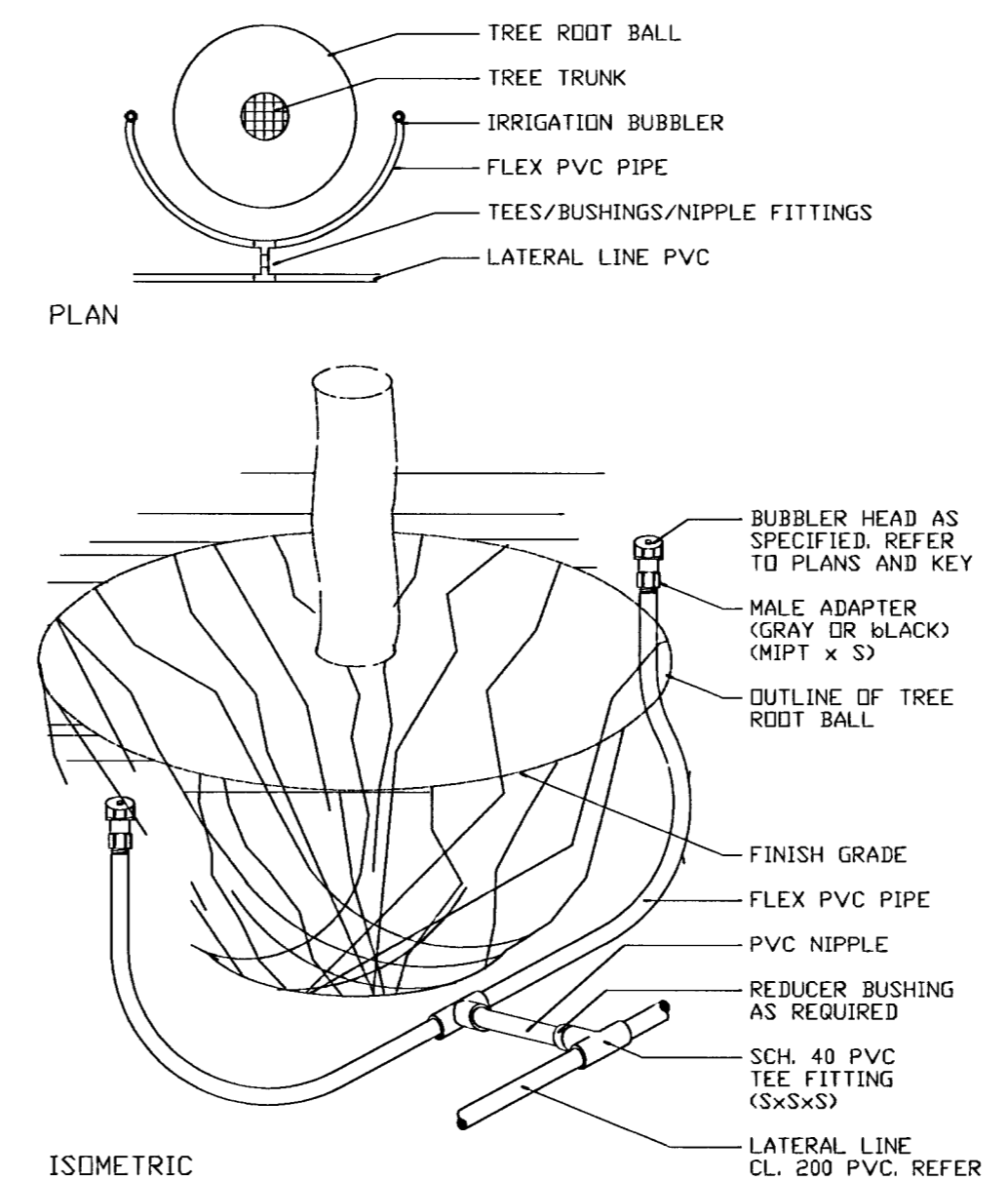
BACKFLOW PREVENTER
NOT TO SCALE



WALL MOUNTED CONTROLLER
NOT TO SCALE



TYPICAL TRENCHING SECTIONS
NOT TO SCALE



BUBBLER HEADS AT TREE
NOT TO SCALE

REVISED 4/99

the swa group

Landscape Architecture 2211 N. Lamar, Suite 400
Site Planning Dallas, TX 75202
Urban Design 214-954-0018



DOUGLAS STREETSCAPES

PROJECT NAME

IRRIGATION DETAILS

SHEET TITLE

MID-KANSAS ENGINEERING
CONSULTANTS, INC.
411 N. WEBB ROAD
WICHITA, KS. 67206
316-684-9600

JM

DESIGN BY:

ELLIS

DRAWN BY:

JM

CHECKED BY:

MAR '94

DATE

SWA MKC-251

JOB NO.

LS 7.01

SHEET NO.