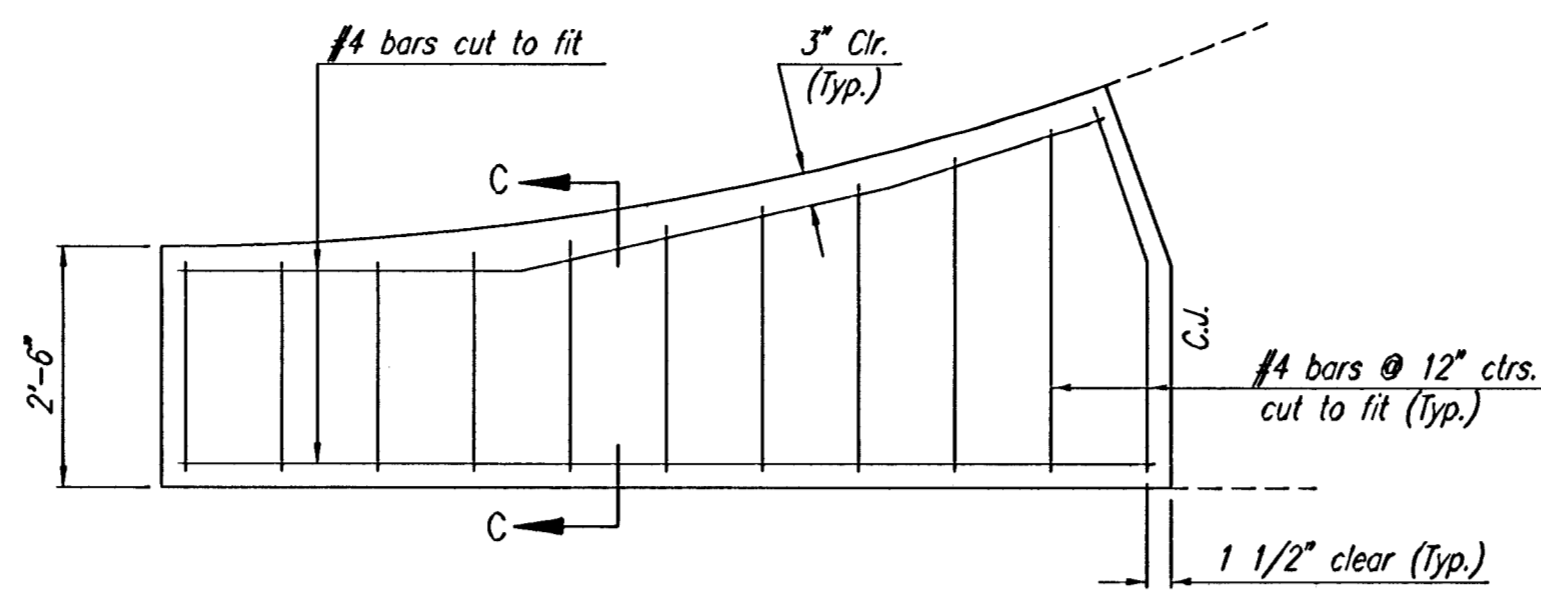
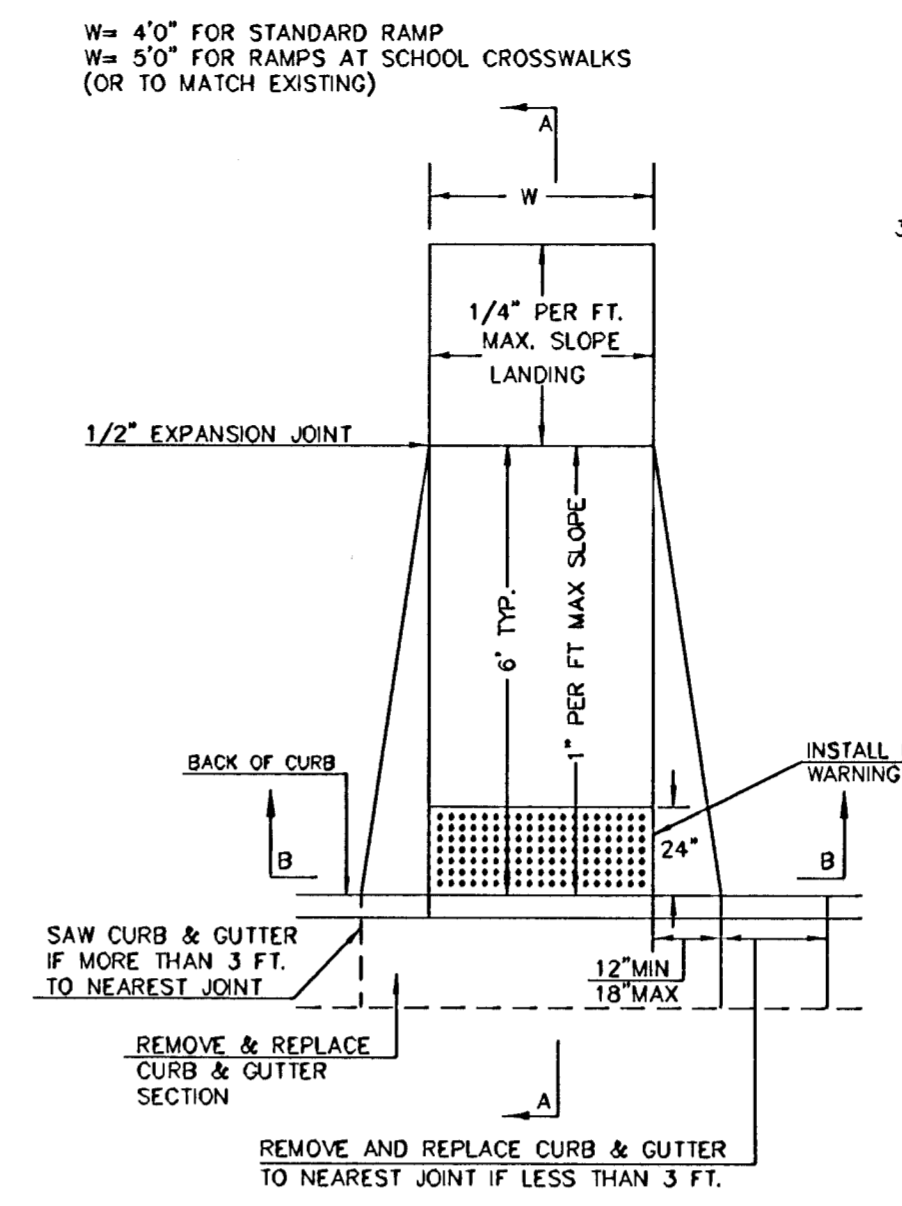


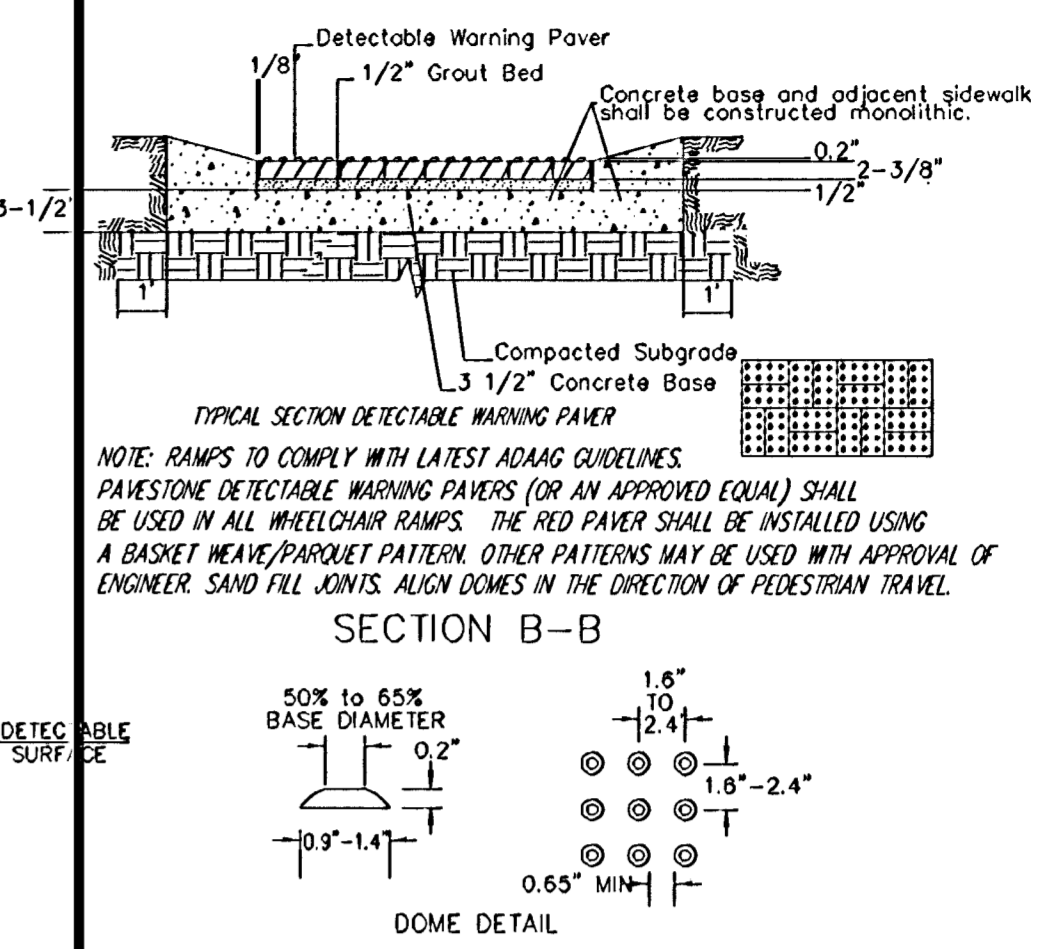
REINFORCED ENTRANCE DETAIL
NO SCALE
NOTE: ACTUAL JOINT LAYOUT MUST BE APPROVED



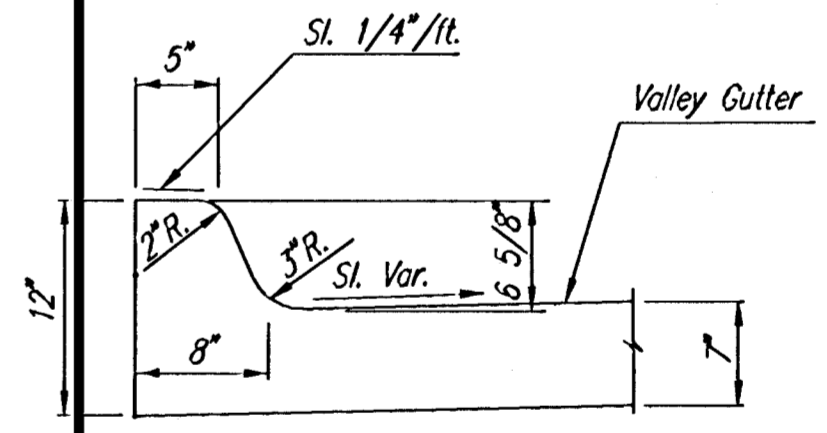
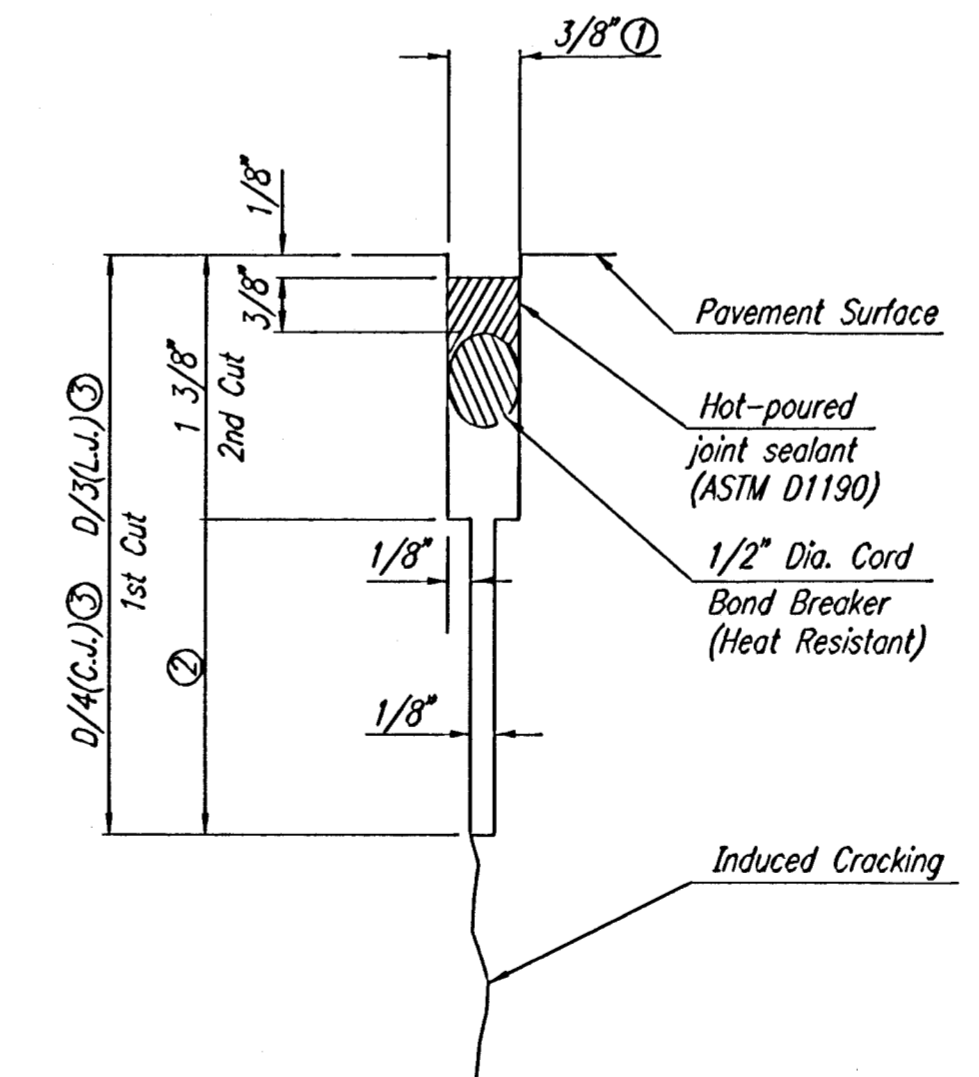
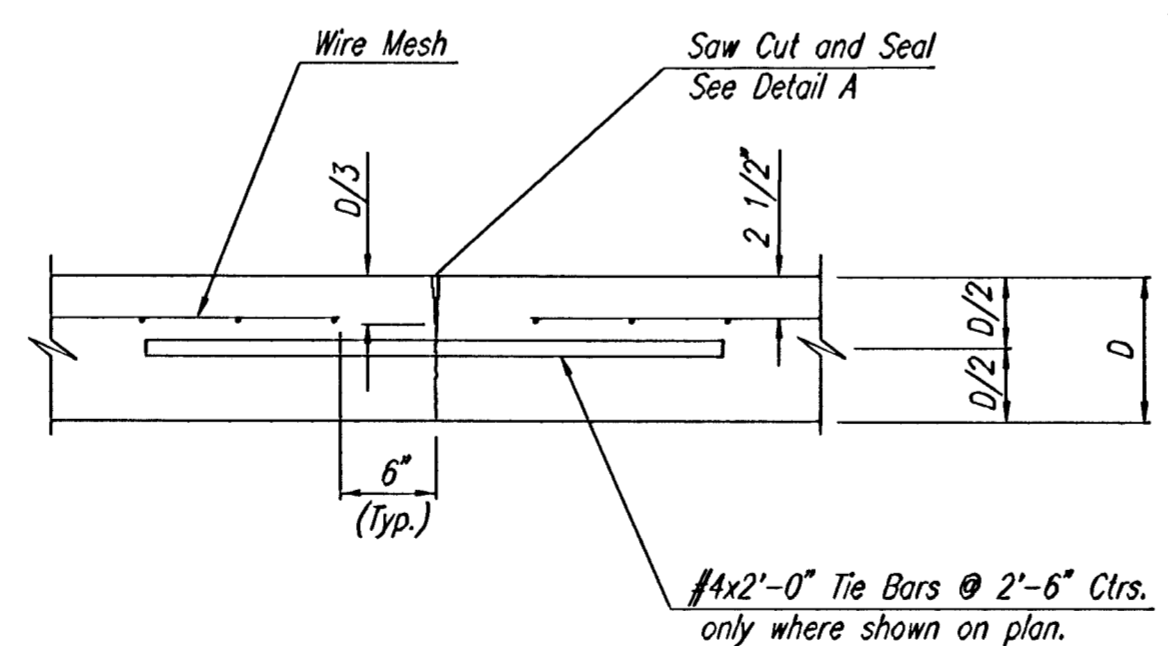
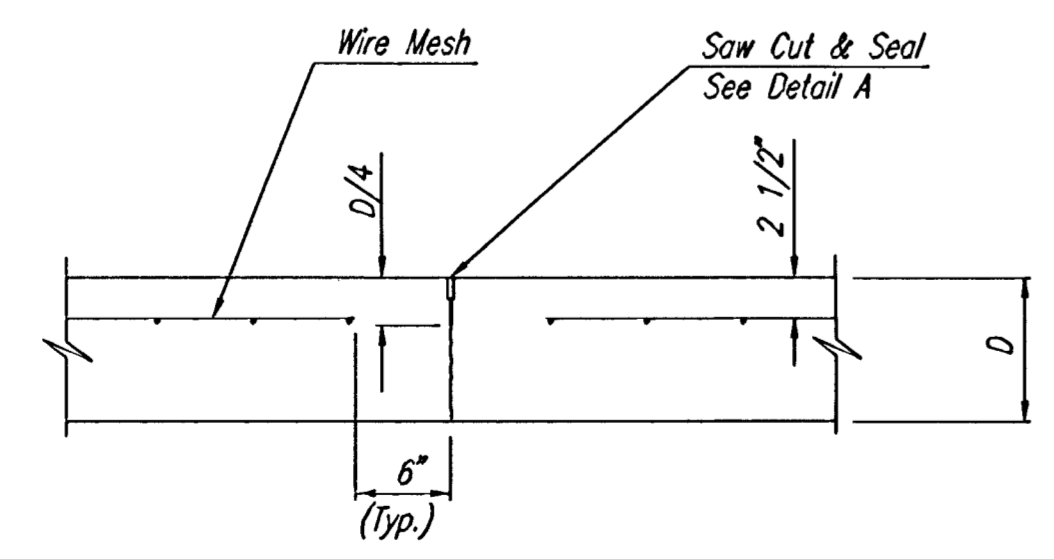
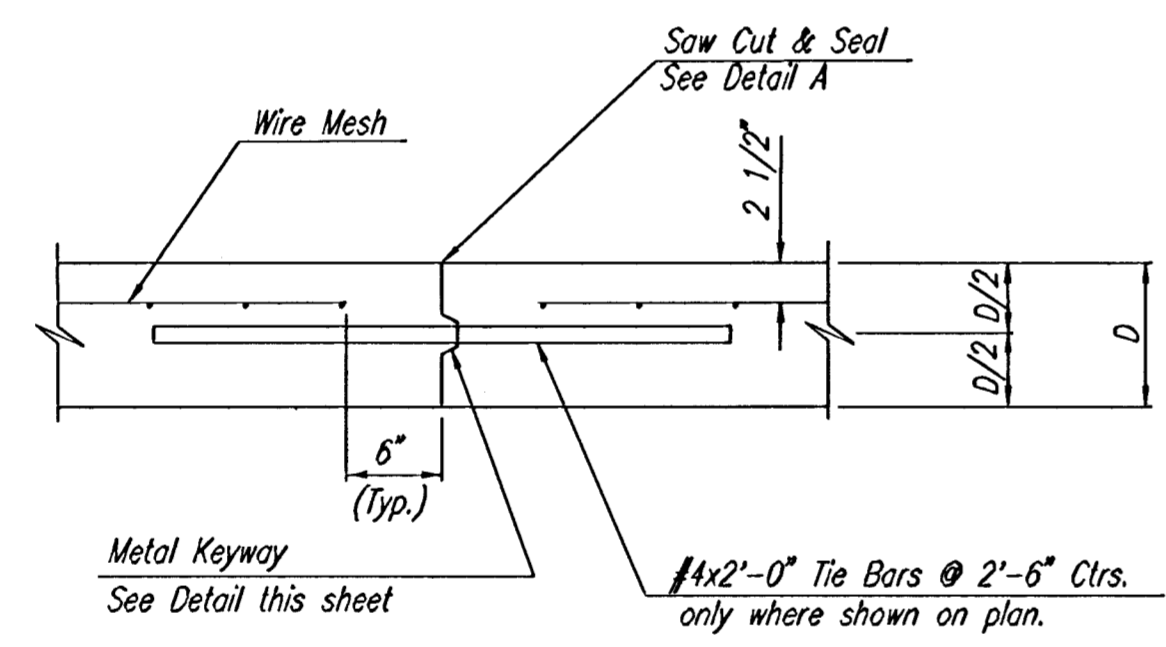
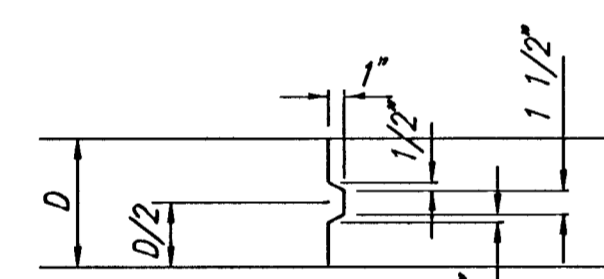
WING REINFORCING DETAIL
NOTE: OMIT WIRE FABRIC REINFORCING IN THIS SECTION.



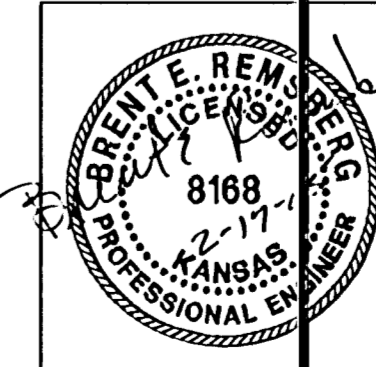
(TYPE A)
STANDARD WHEELCHAIR RAMP WITH DETECTABLE WARNING CONSTRUCTION DETAIL FOR STREETS WITH COMBINED CURB & GUTTER



SECTION A-A
*t = THICKNESS OF PAVEMENT (VARIABLE)
AUGUST 4, 2003



DSNR: BER OPER: SAW SCALE: 1=10.00
 J:\SENTOUT\2004\04276\2005-02-16 to City\DWG\08-Paving Details 02-17-2005 08:33:49 am



No.	Revision	By	Date
NEWMARKET SQUARE CENTRAL PARK WIDENING PAVING DETAILS JAMES L. ARMOUR, P.E., ACTING CITY ENGINEER CITY OF WICHITA PROJECT NO. 472-84048 Professional Engineering Consultants, P.A. 303 S. TOPEKA • WICHITA, KANSAS 67202 316-262-2691 • FAX 316-262-3003			
Designed by	BER	Job No.	35-04276-0042
Drawn by	SAW, TRO	Date	JULY 2004
			SH. 8 of 18