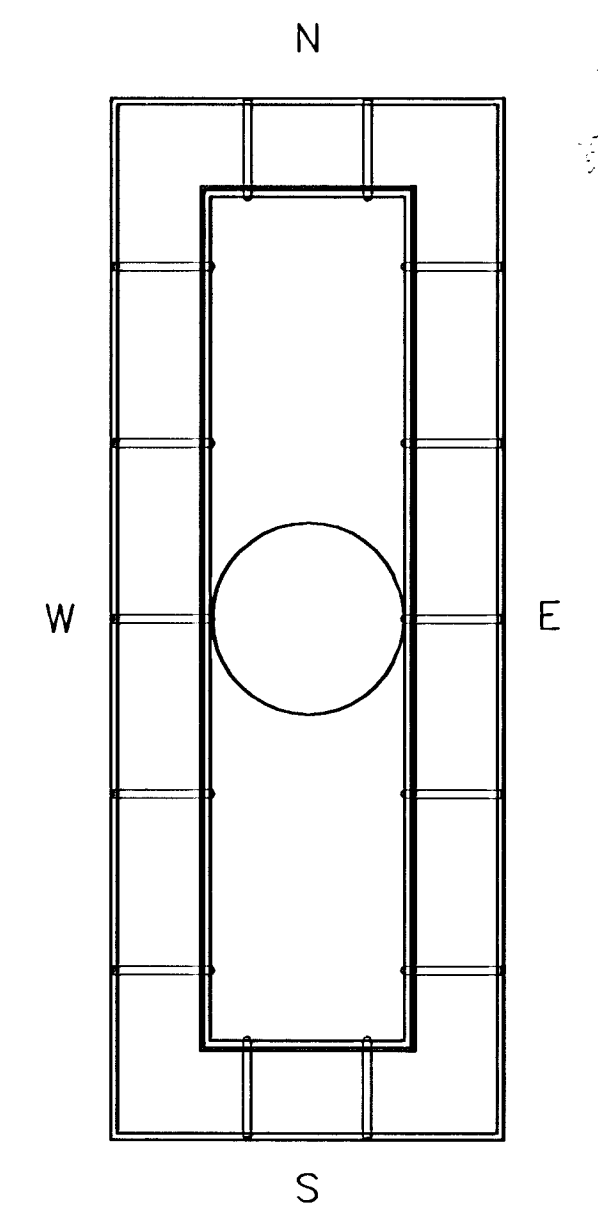
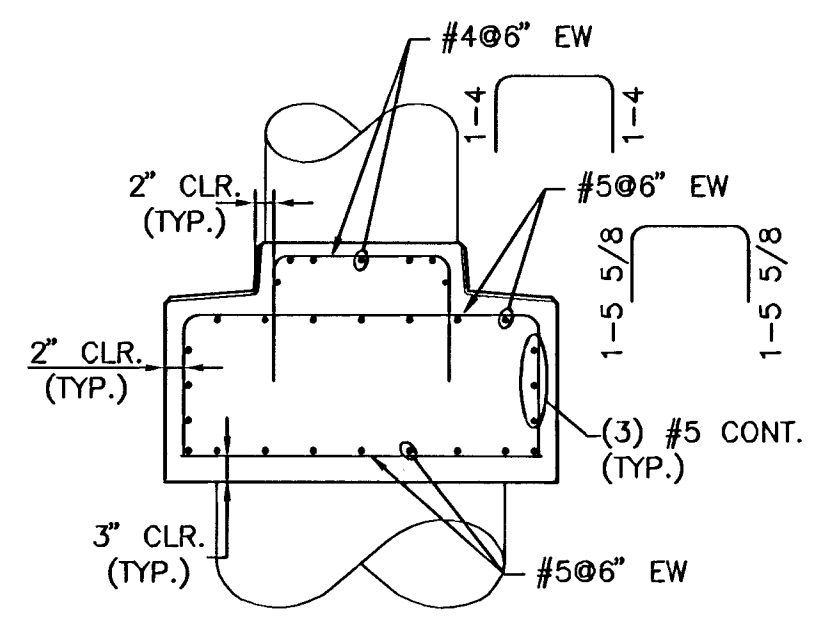


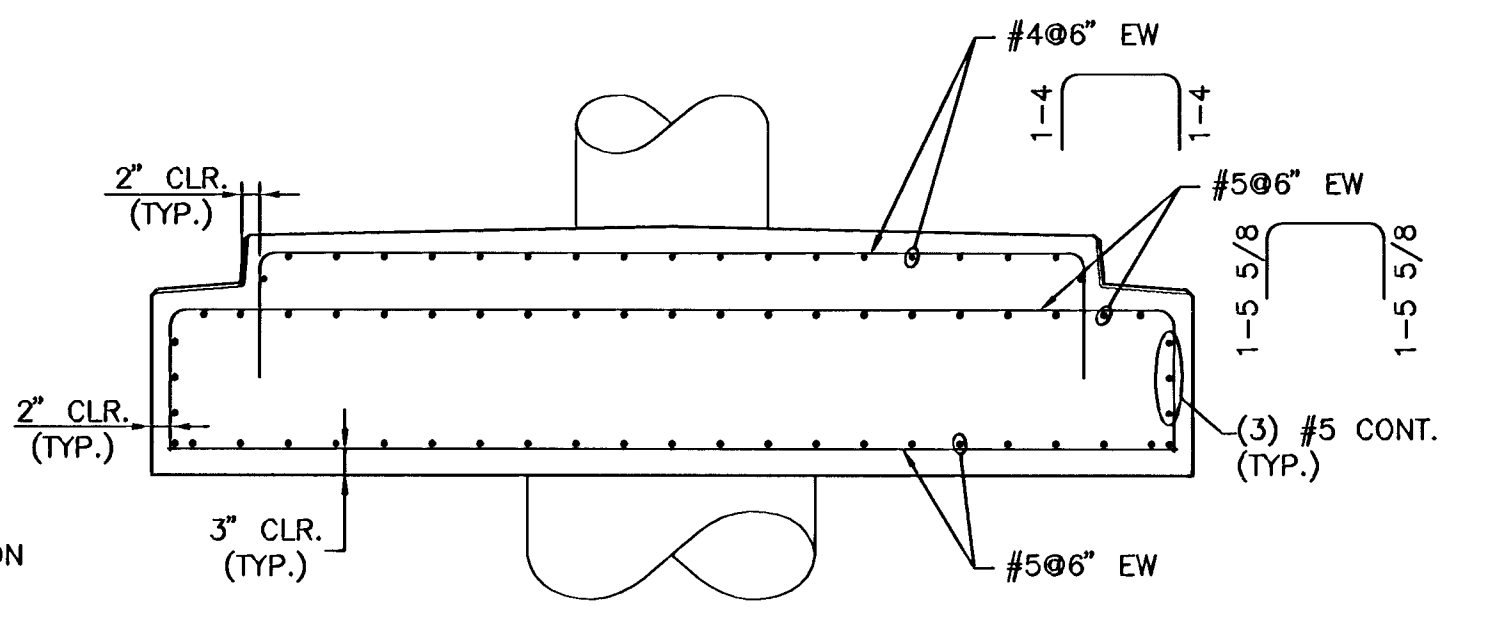
TOWER #1 REINFORCING DETAIL
SCALE: 1/4"=1'



BASE PLAN

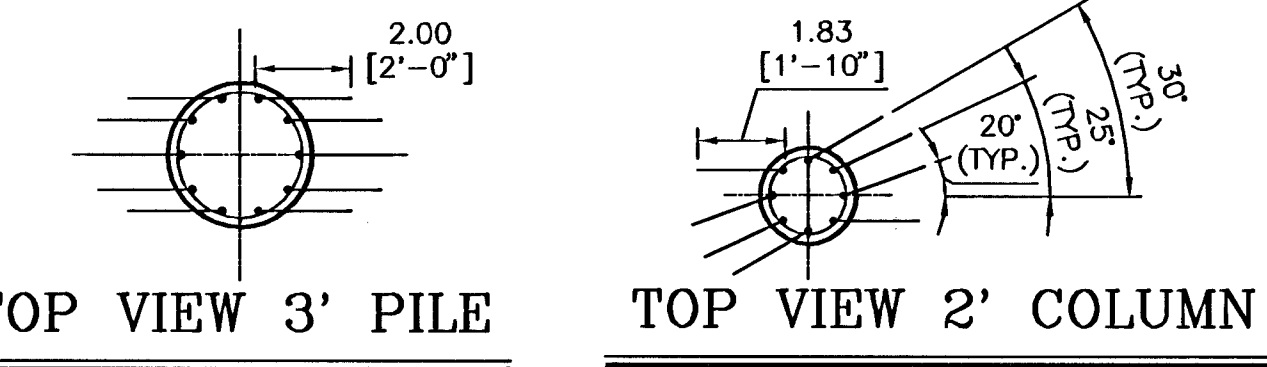


E-W SECTION

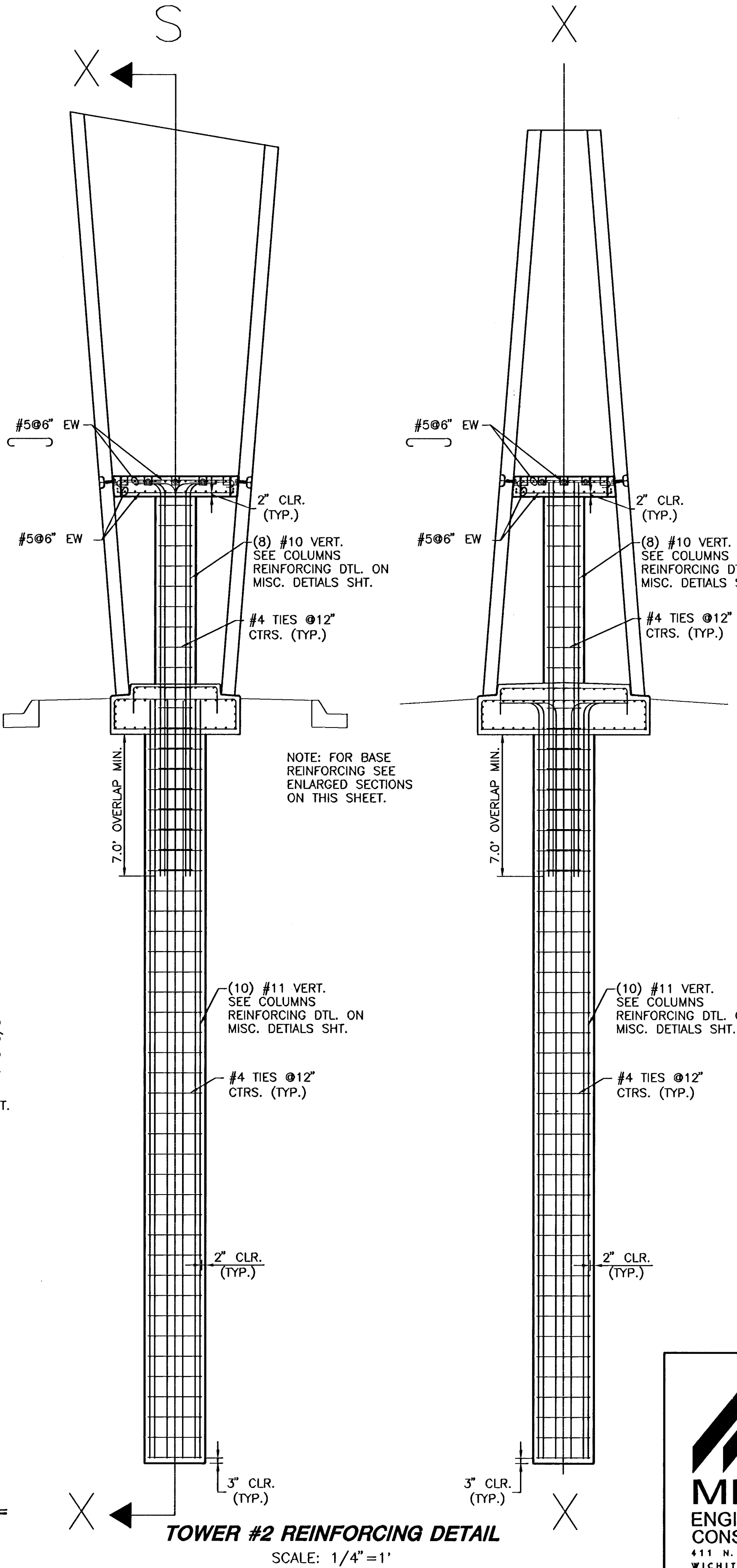


N-S SECTION

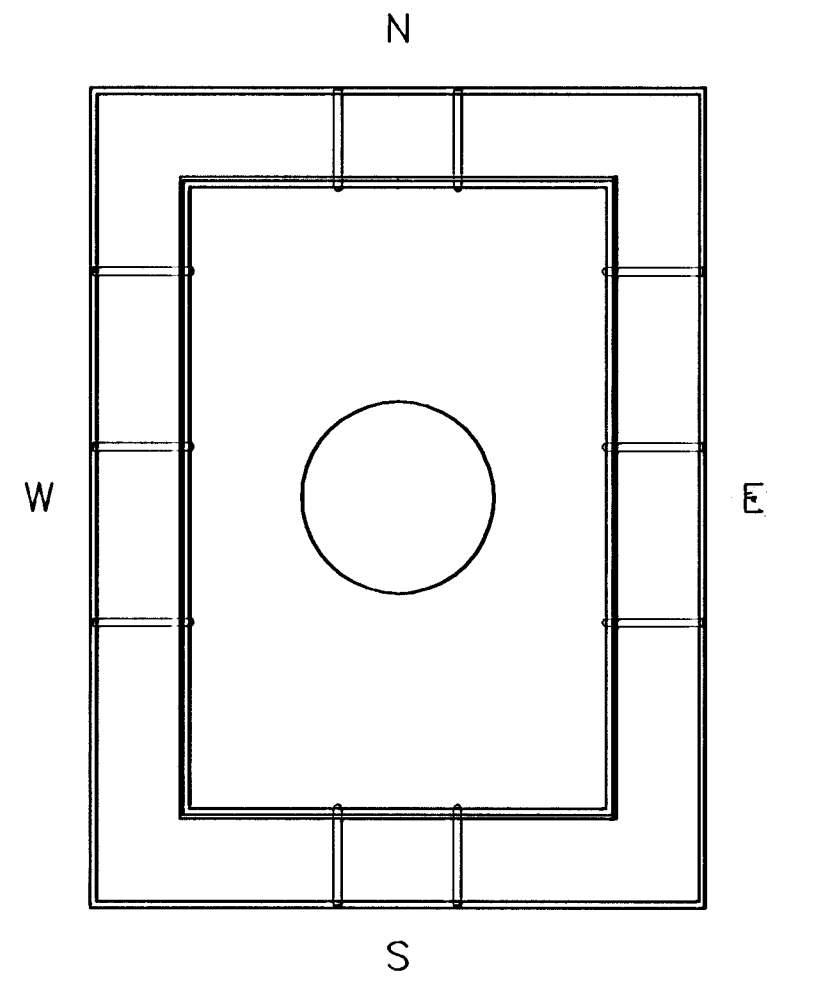
TOWER #1 BASE REINFORCING DETAIL
SCALE: 1/2"=1'



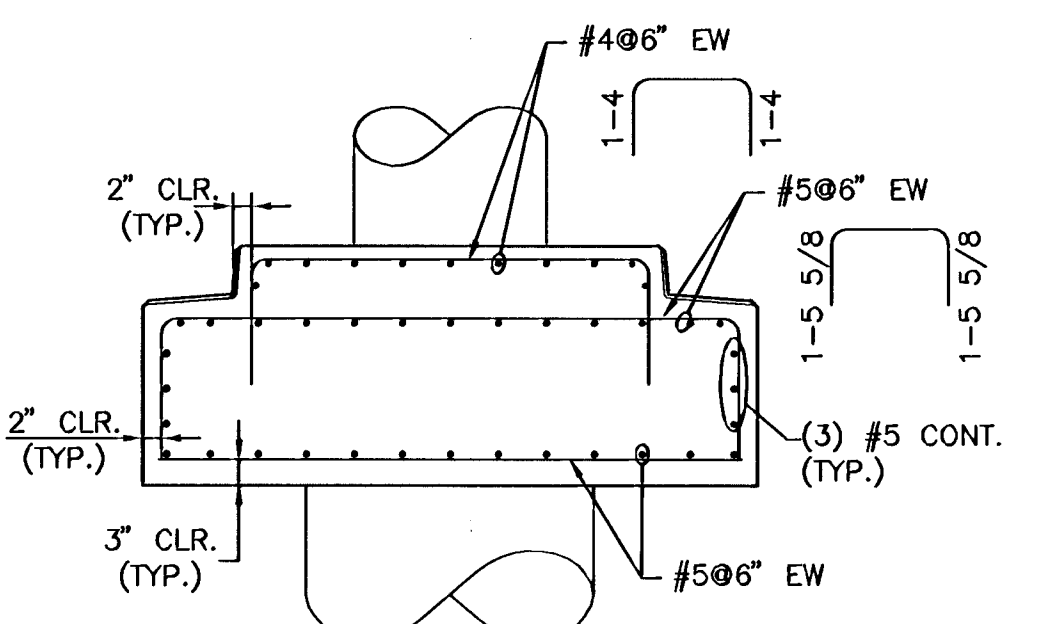
TOWER PILE & COLUMN TOP VIEW
SCALE: 1/4"=1'



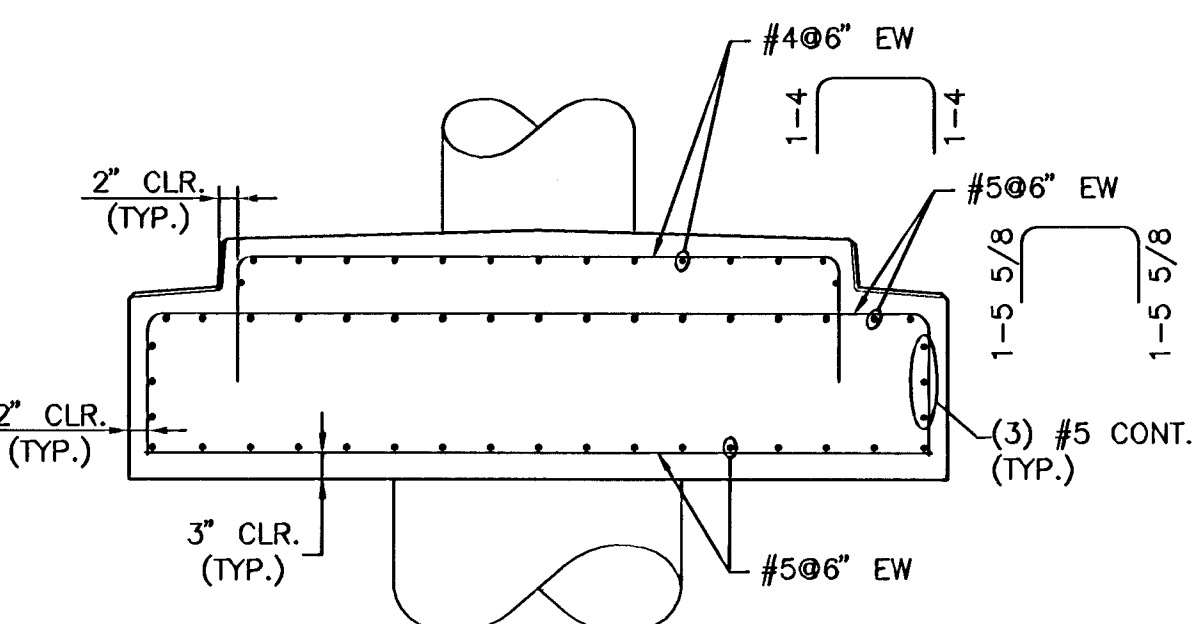
TOWER #2 REINFORCING DETAIL
SCALE: 1/4"=1'



BASE PLAN



E-W SECTION



N-S SECTION

TOWER #2 BASE REINFORCING DETAIL
SCALE: 1/2"=1'



SENECA STREET
PROJECT NAME

TOWER #1 & #2 REINFORCING DETAILS
SHEET TITLE

KJS/RSB DESIGN BY. RSB/RRT DRAWN BY. KJS CHECKED BY.

NOVEMBER/2002 DATE. 98092 JOB NO. 9 / 12 SHEET/OF