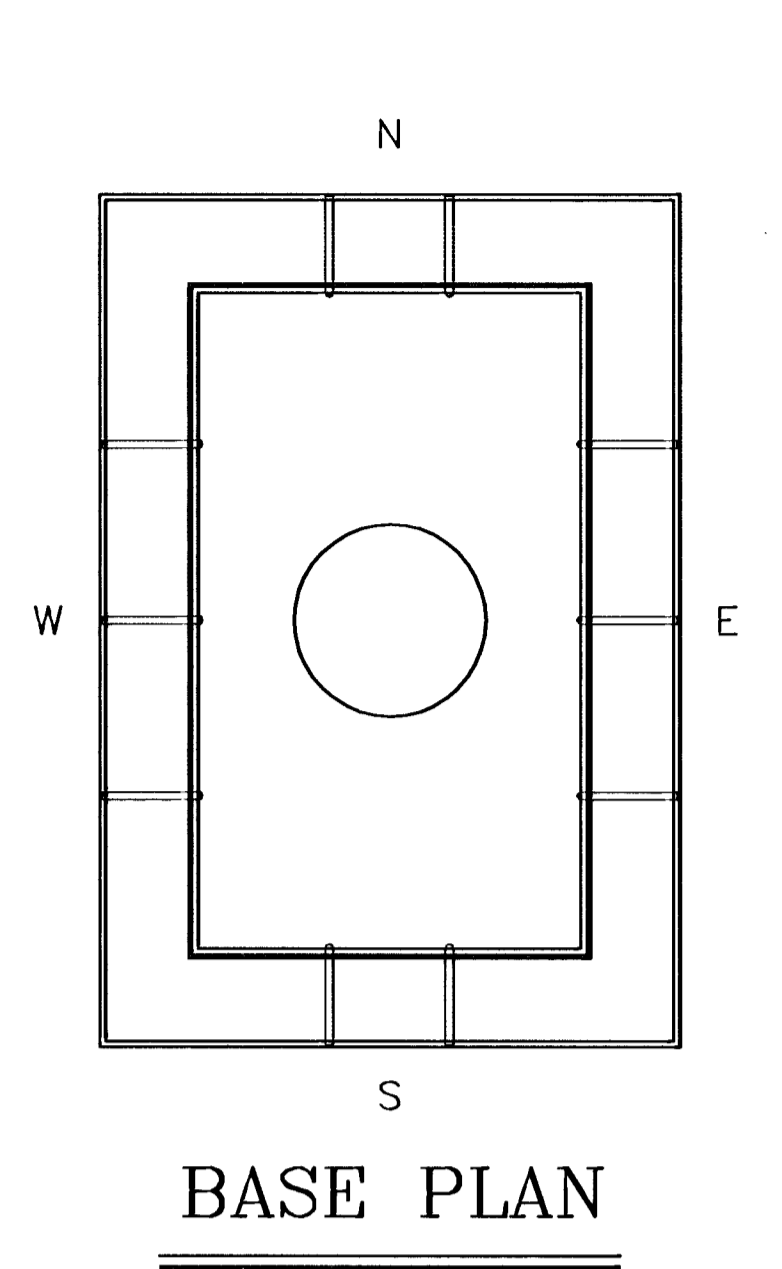
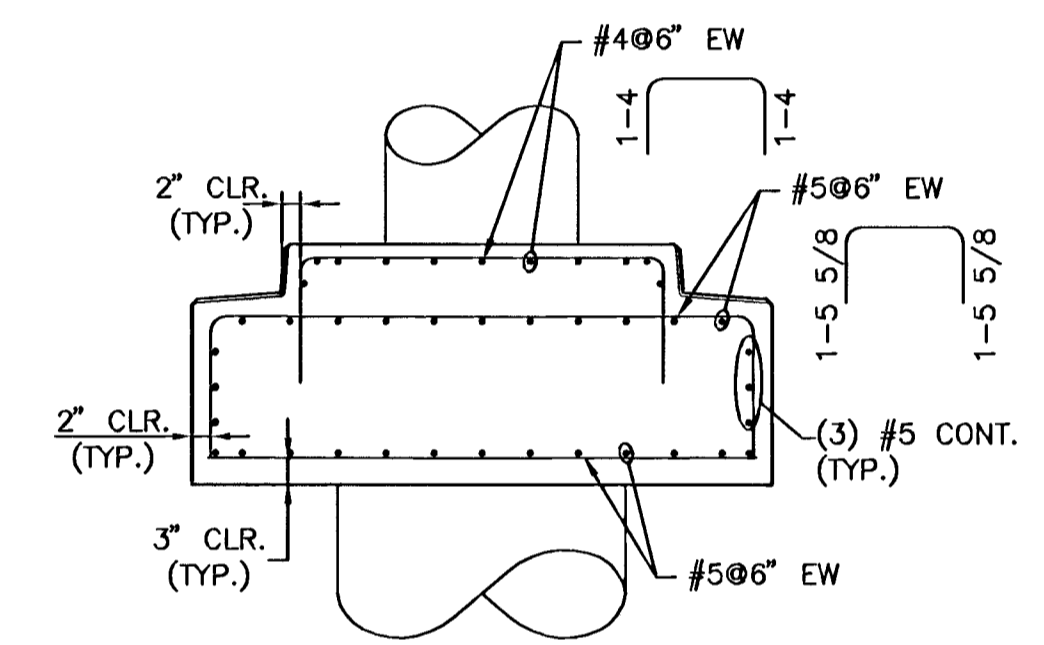


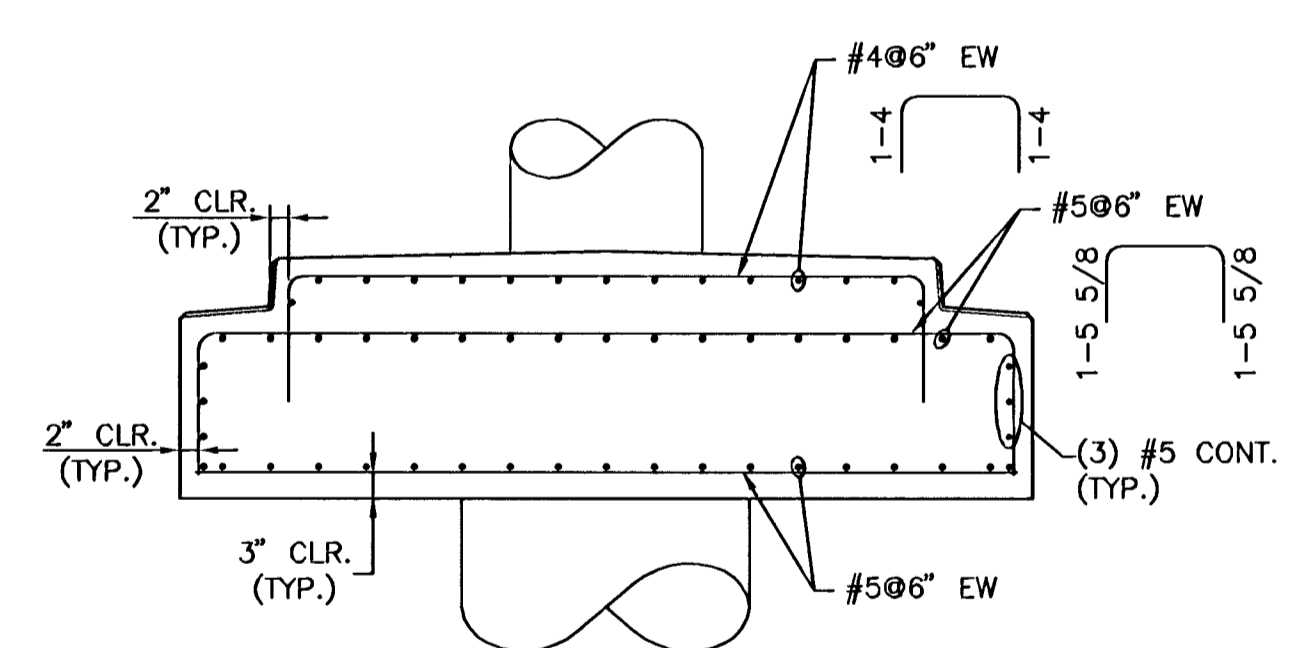
TOWER #3 REINFORCING DETAIL
SCALE: 1/4"=1'



BASE PLAN

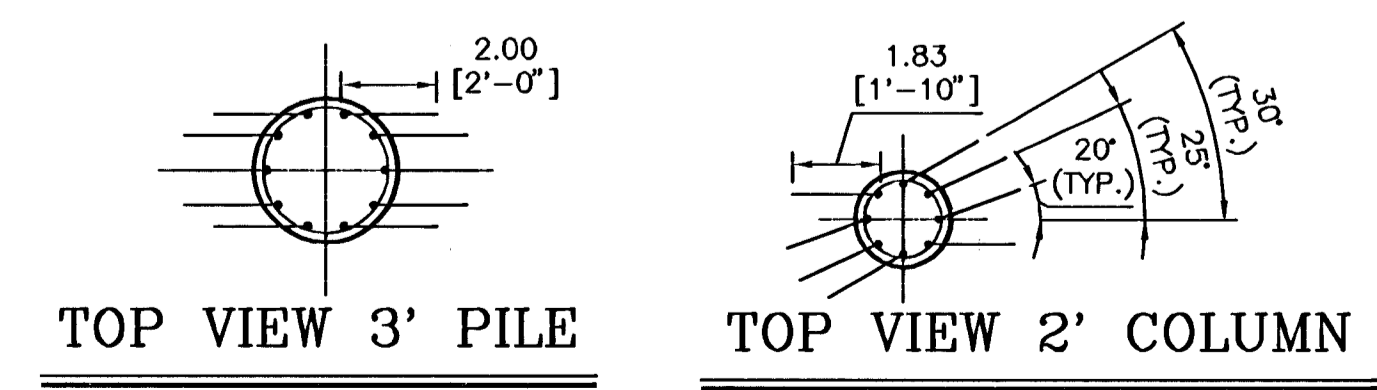


E-W SECTION

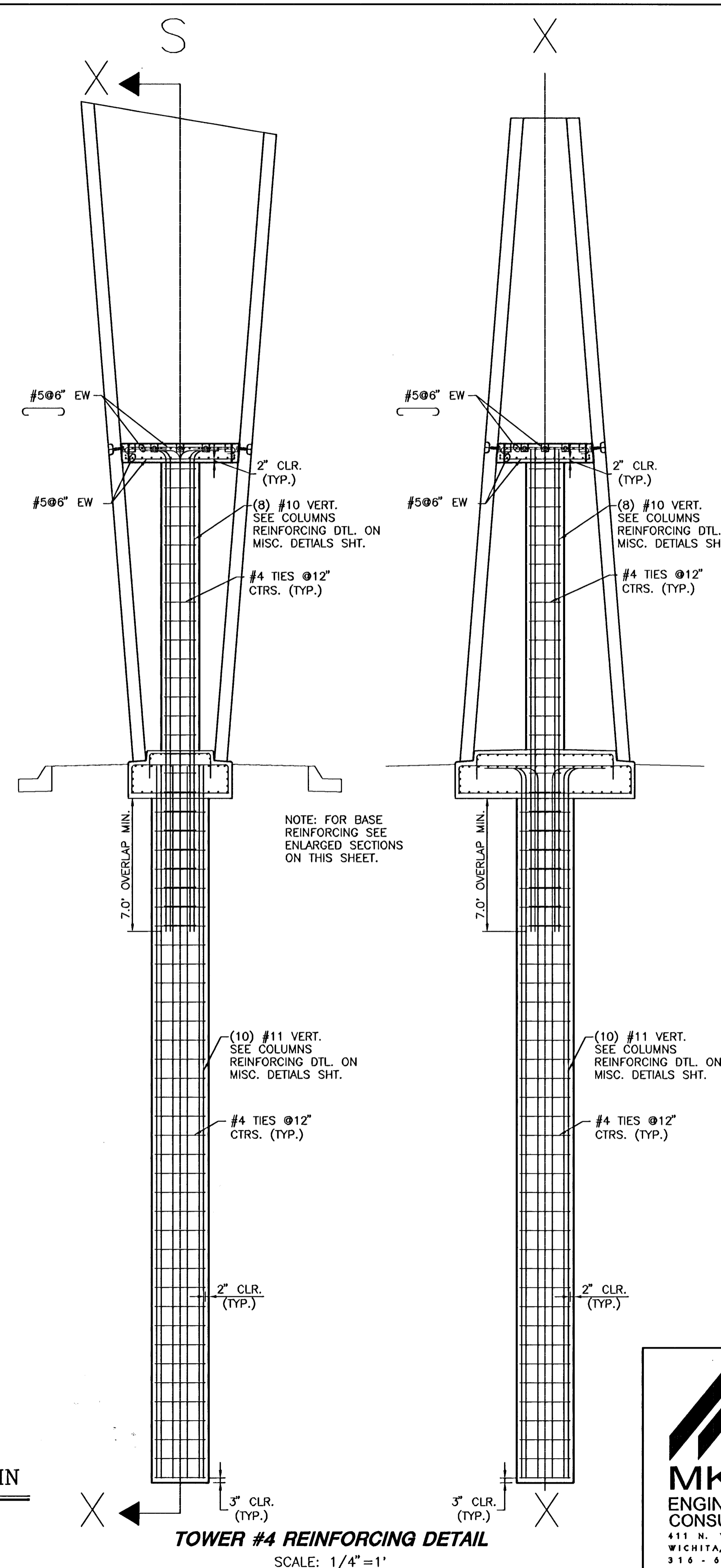


N-S SECTION

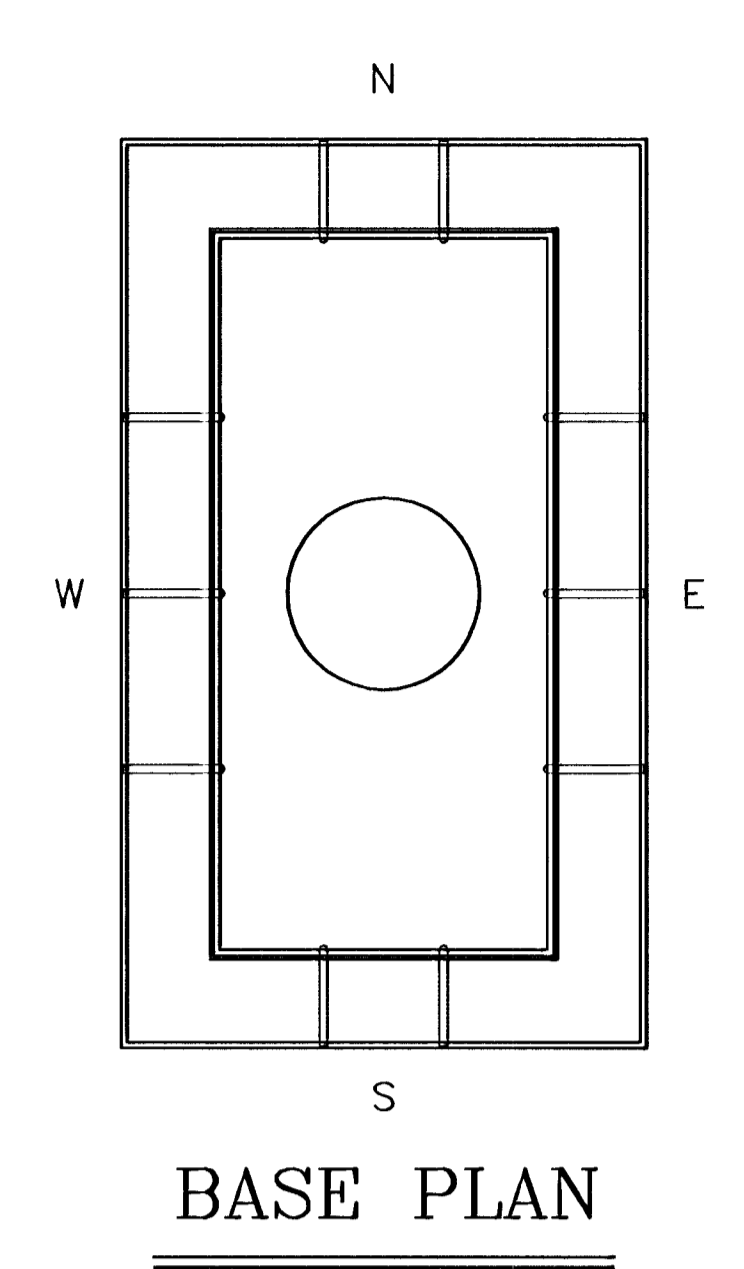
TOWER #3 BASE REINFORCING DETAIL
SCALE: 1/2"=1'



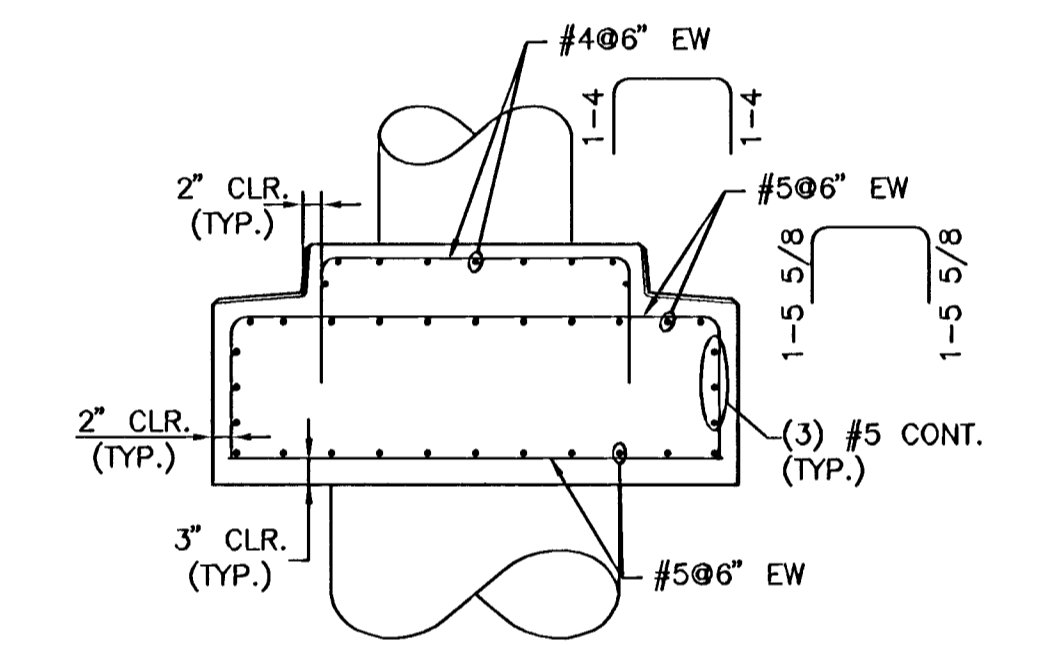
TOWER PILE & COLUMN TOP VIEW
SCALE: 1/4"=1'



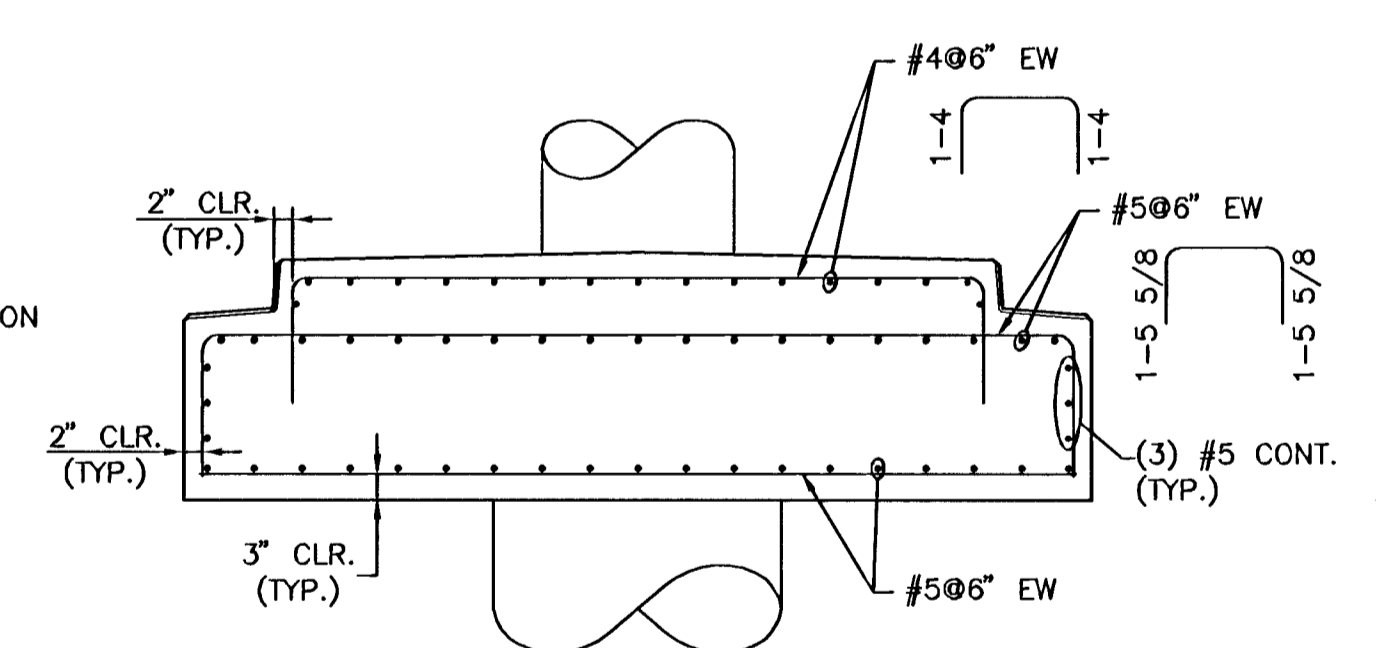
TOWER #4 REINFORCING DETAIL
SCALE: 1/4"=1'



BASE PLAN



E-W SECTION



N-S SECTION

TOWER #4 BASE REINFORCING DETAIL
SCALE: 1/2"=1'

<p>MKEC ENGINEERING CONSULTANTS 411 N. WEBB ROAD WICHITA, KS. 67206 316-684-9600</p>	SENECA STREET		
	PROJECT NAME		
	TOWER #3 & #4 REINFORCING DETAILS		
	SHEET TITLE		
	KJS/RSB	RSB/RRT	KJS
DESIGN BY:	DRAWN BY:	CHECKED BY:	
NOVEMBER/2002	98092	10 / 12	
DATE	JOB NO.	SHEET/OF	