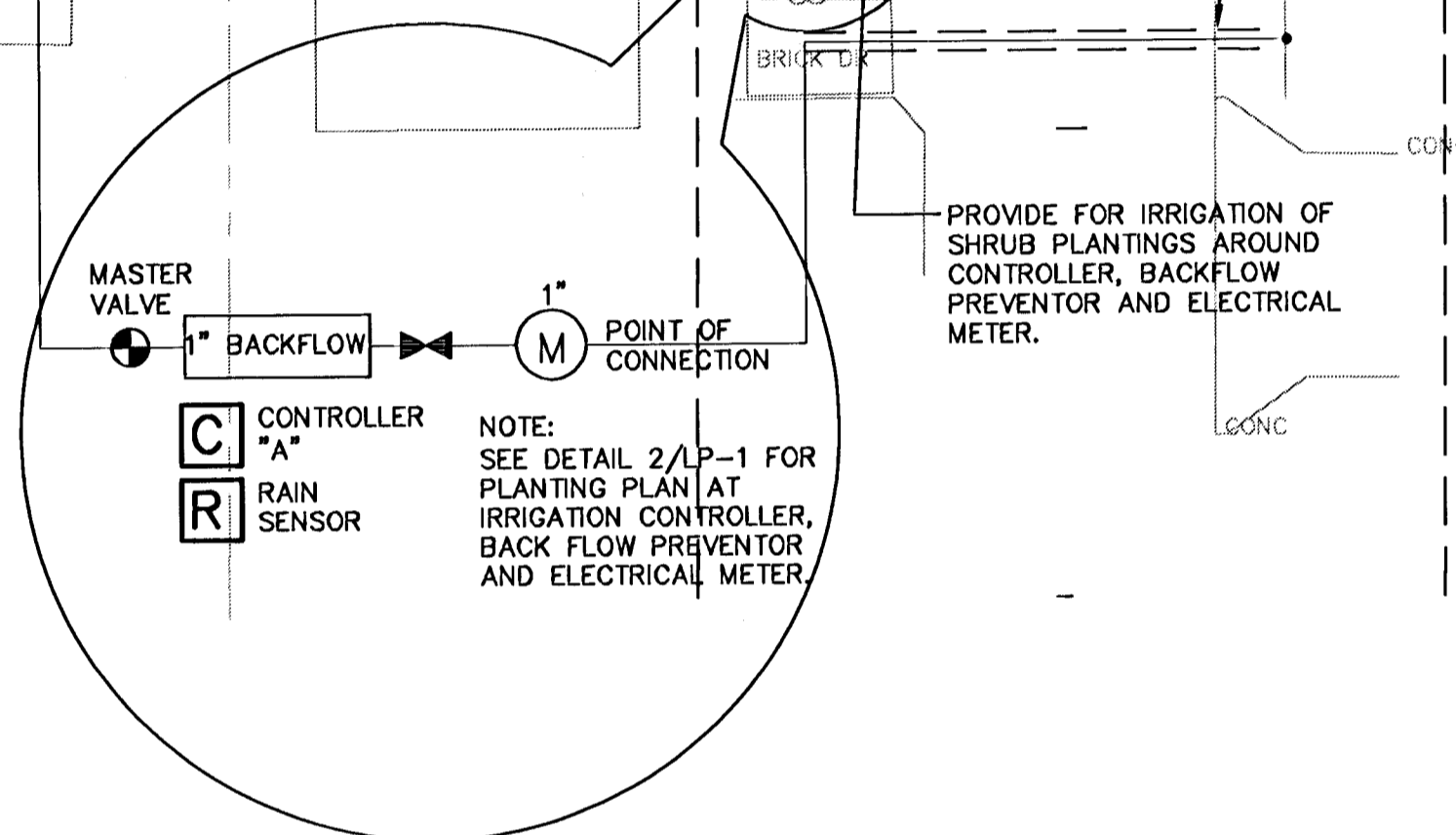
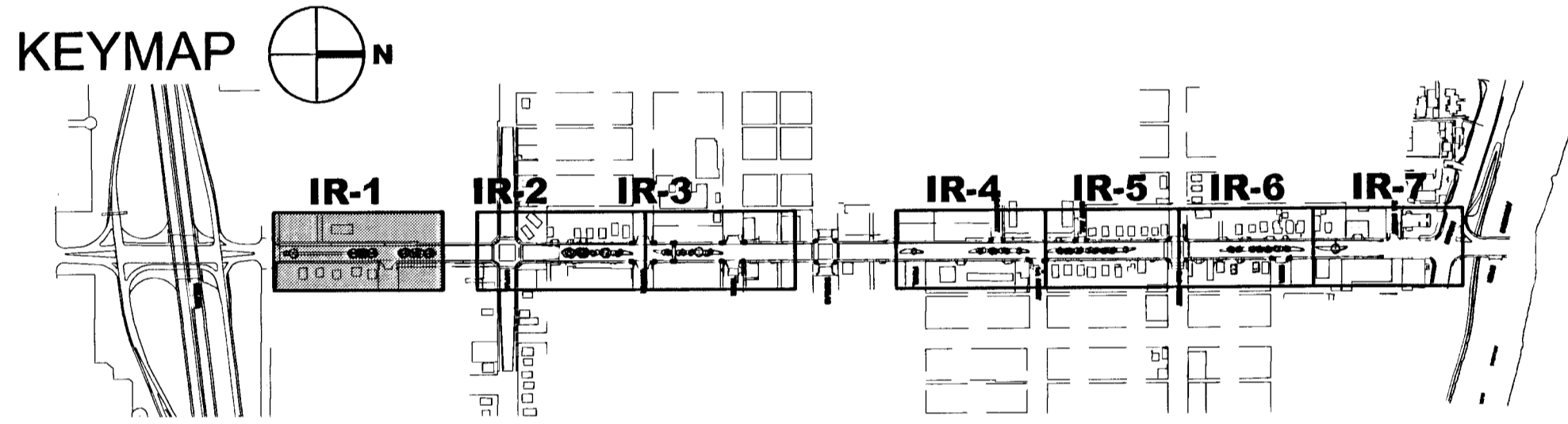


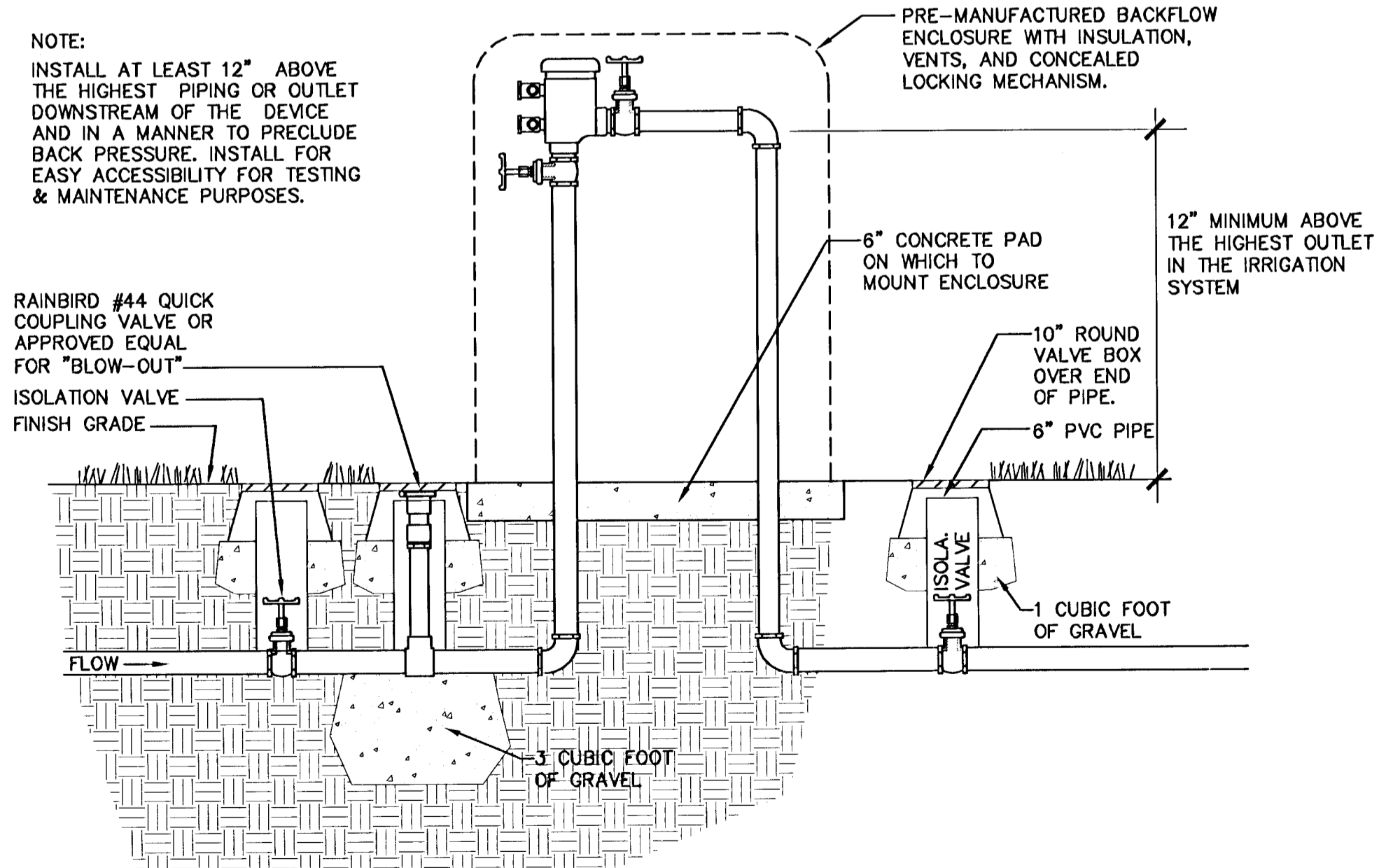
A IRRIGATION PLAN NO. 1
 0' 10' 20' 40' 1"=20.0'



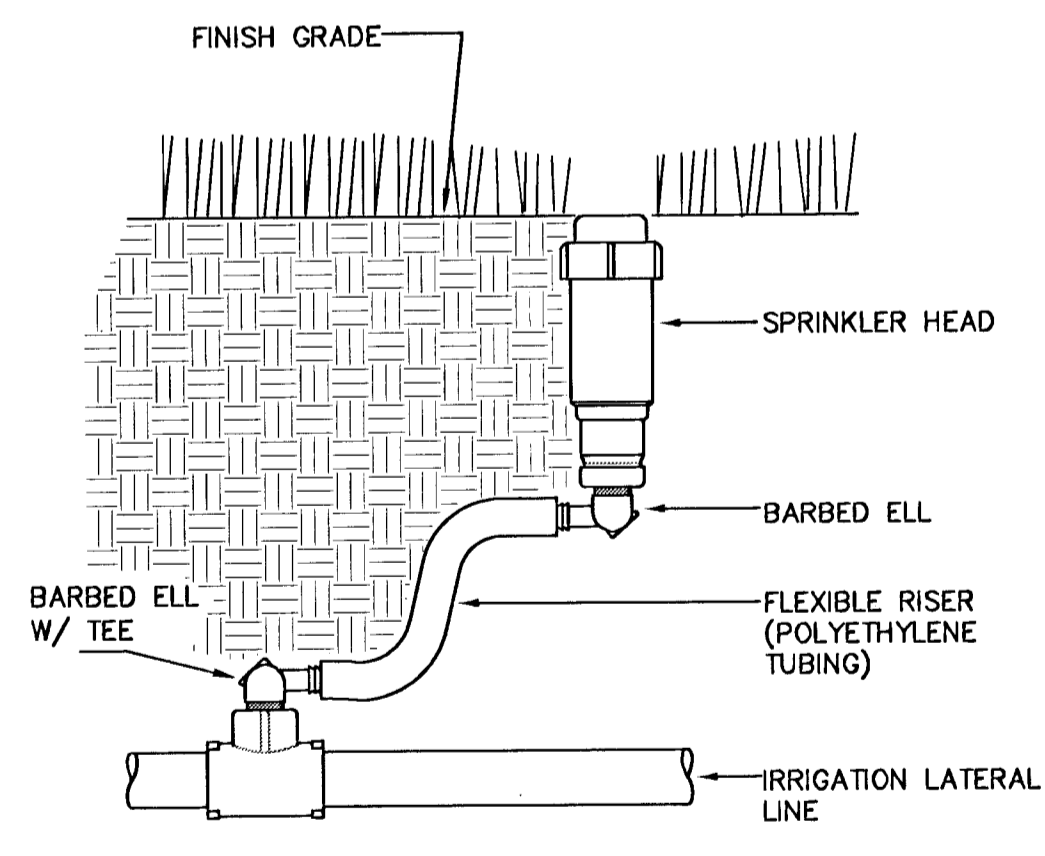
IRRIGATION LEGEND

- IRRIGATION HEADS AND NOZZLES**
 POP-UP HEADS (WEATHER MATIC OR APPROVED EQUAL)
- | | | | | | |
|--|-------------|--|--------------------|--|------------|
| | LX4-HALF | | H = HALF | | A = 3/4" |
| | LX4-QUARTER | | Q = QUARTER | | B = 1" |
| | LX4-VARIES | | V = ADJUSTABLE ARC | | C = 1-1/4" |
| | | | | | D = 1-1/2" |
| | | | | | E = 2" |
| | | | | | F = 2-1/2" |
- IRRIGATION EQUIPMENT**
- WEATHERMATIC ELECTRIC VALVE MODEL 2100 WITH PRESSURE REGULATOR, OR APPROVED EQUAL.
 - STEEL GATE VALVE, NON-RISING STEM, SIZE AS SHOWN OR PIPE SIZE
 - WEATHERMATIC CONTROLLER MODEL RM7, 7 STATIONS, LMSP PEDESTAL MOUNT (OR APPROVED EQUAL) LOCATE WHERE DIRECTED BY THE OWNER'S REPRESENTATIVE - COORDINATE ELECTRICAL SUPPLY
 - RAIN SENSOR - MINI-CLICK II OR APPROVED EQUAL. MOUNT RAIN SENSOR ON CONTROLLER PEDESTAL.
- EXISTING 6" PVC SLEEVES OR NEW SLEEVE (AS INDICATED)
- ZONE INFORMATION BOX**
- | | | | |
|---------------------------------|--------------|------------------|--------------|
| CONTROLLER LETTER & ZONE NUMBER | A-4 B | VALVE SIZE | A = 1" VALVE |
| ZONE G.P.M. | 45.6 | B = 1-1/2" VALVE | C = 2" VALVE |
- NOTE:**
 LATERAL LINES ARE CLASS 200 PVC SOLVENT WELD PIPE.
 MAIN LINES ARE SCHEDULE 40 SOLVENT WELD PIPE.

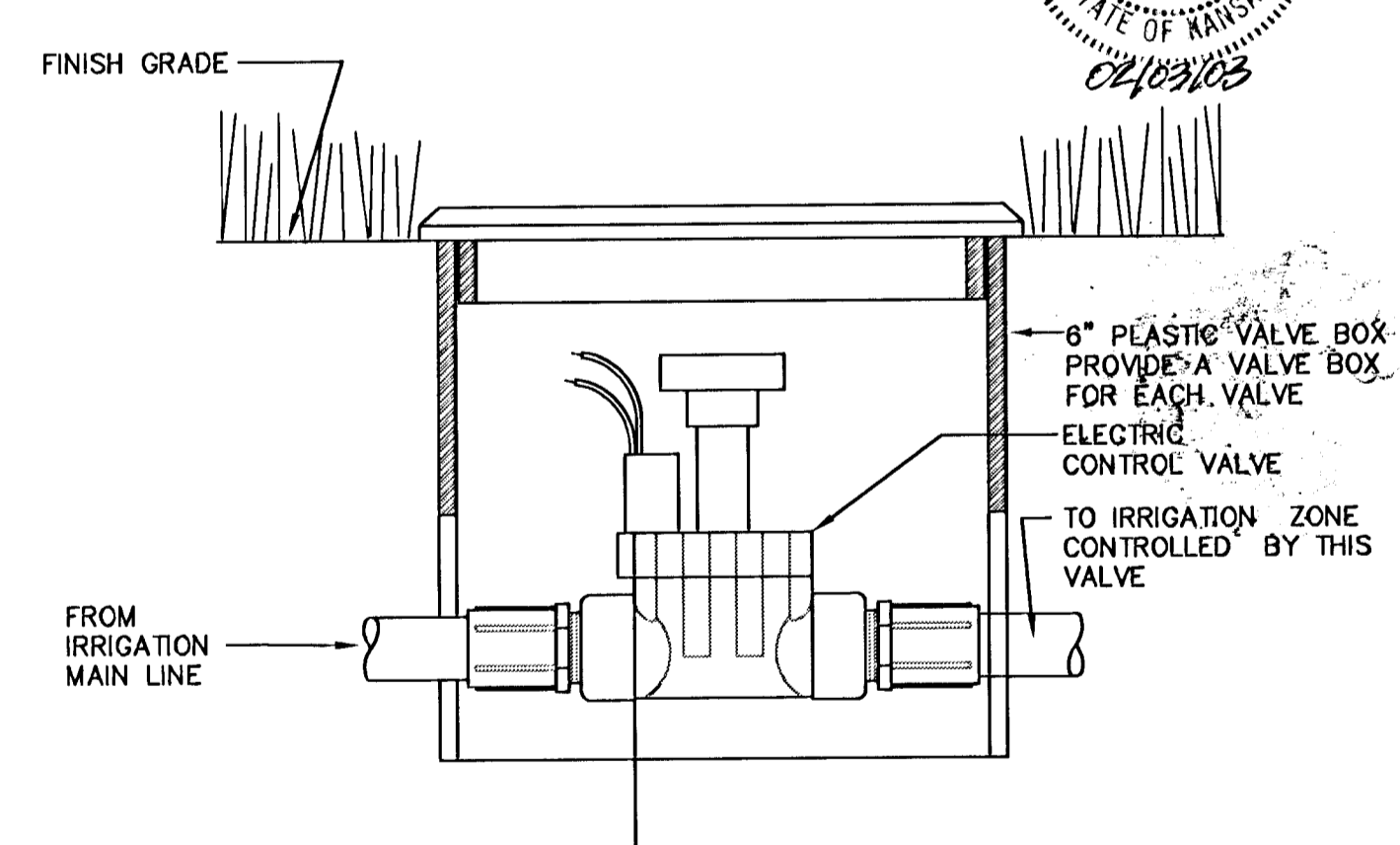
1 IRRIGATION LEGEND AND NOTES
 LI101



2 BACKFLOW PREVENTER DETAIL
 NOT TO SCALE
 LI101



3 POP-UP SPRAY HEAD ON FLEXIBLE RISER
 NOT TO SCALE
 LI101



4 ELECTRIC CONTROL VALVE
 NOT TO SCALE
 LI101

- GENERAL NOTES:**
- REFERENCE THE CITY OF WICHITA STANDARD SPECIFICATIONS FOR IRRIGATION REQUIREMENTS.
 - IRRIGATION PLANS ARE DIAGRAMMATIC. EXACT PLACEMENT OF LINES AND EQUIPMENT TO BE COORDINATED WITH THE OWNER'S REPRESENTATIVE.



SENECA STREET
 PROJECT NAME

IRRIGATION PLAN NO. 1
 SHEET TITLE

DESIGN BY: **TDM** DRAWN BY: **LES**
 DATE: **02/03/03** CHECKED BY: **TDM**

LI101 DRAWING NAME **LI101** SHEET 7 OF 8

