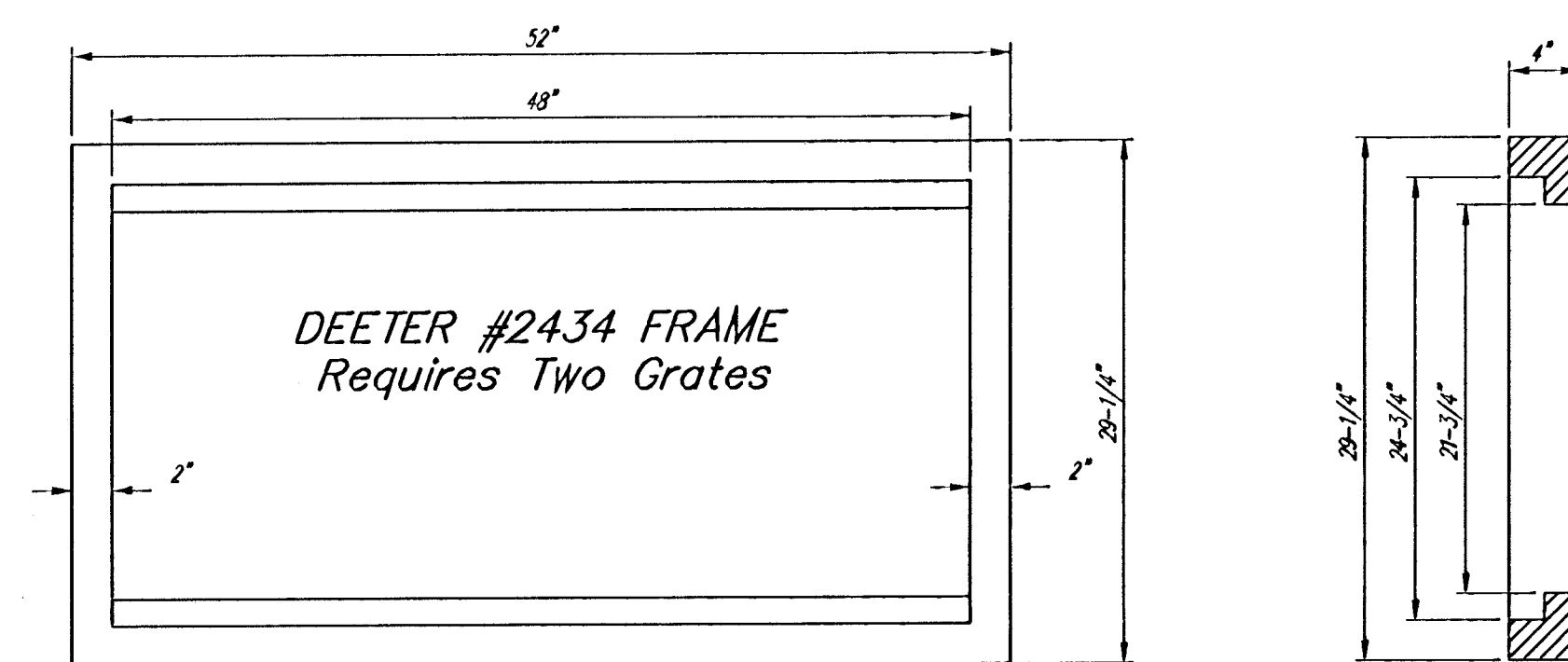


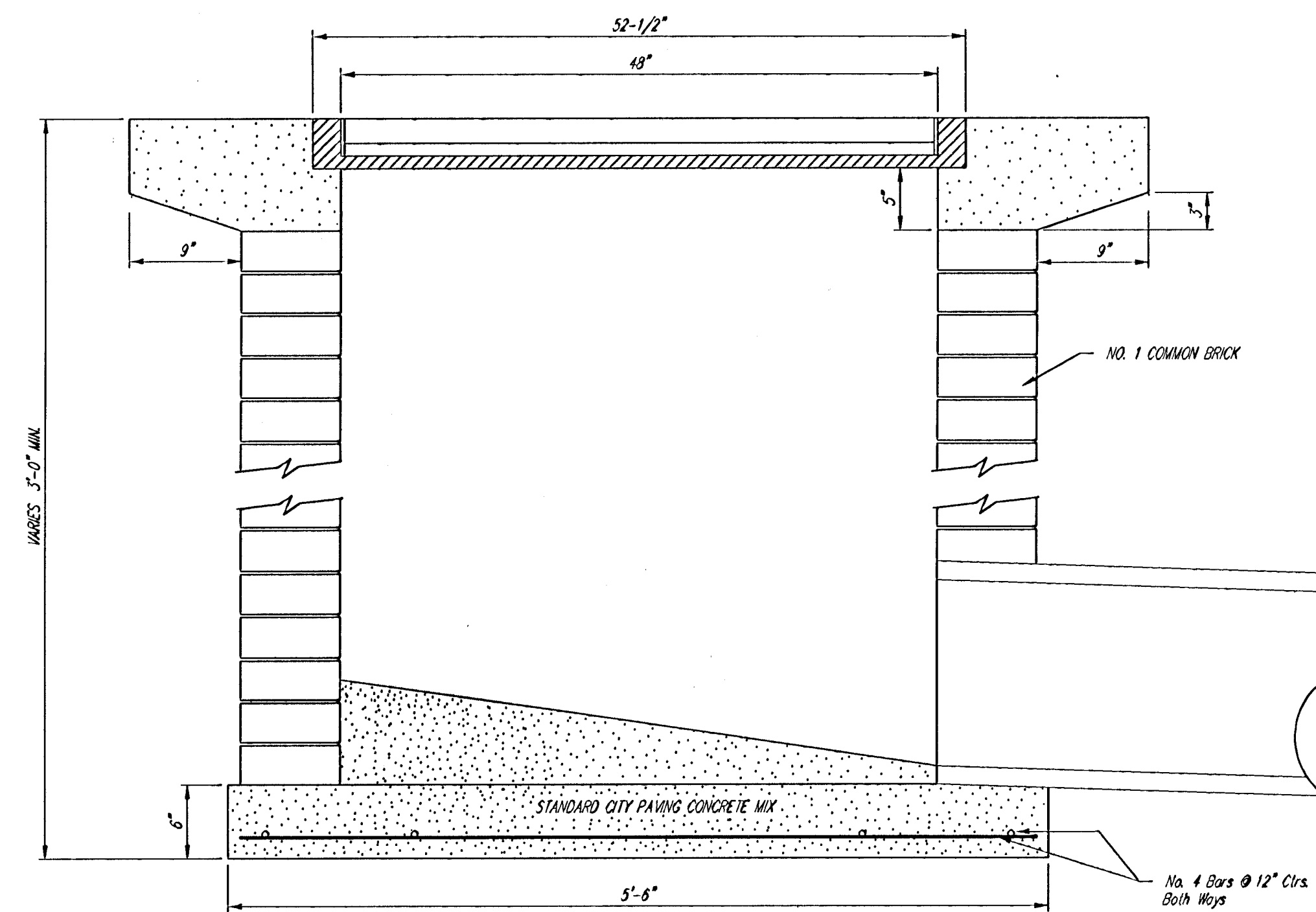
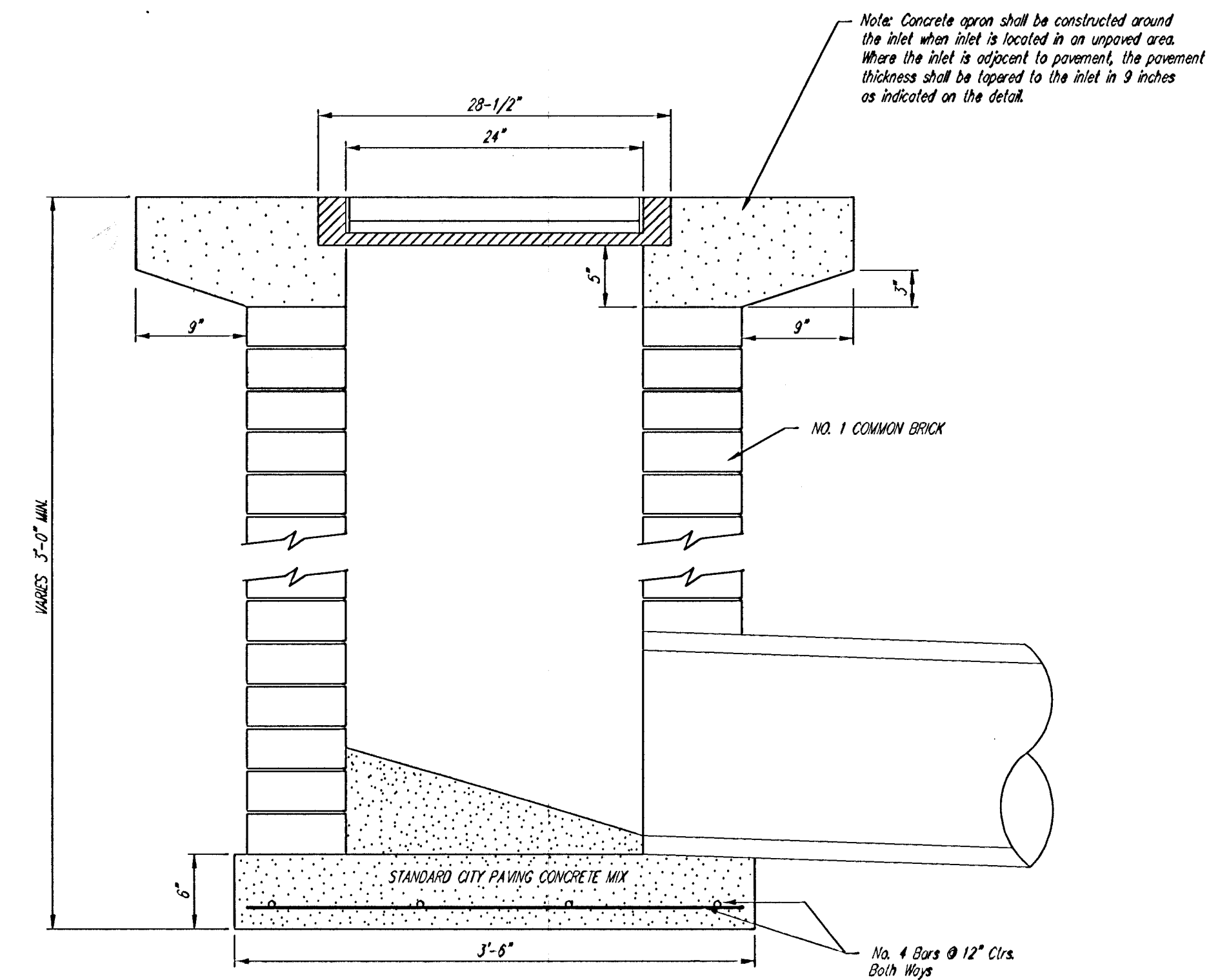
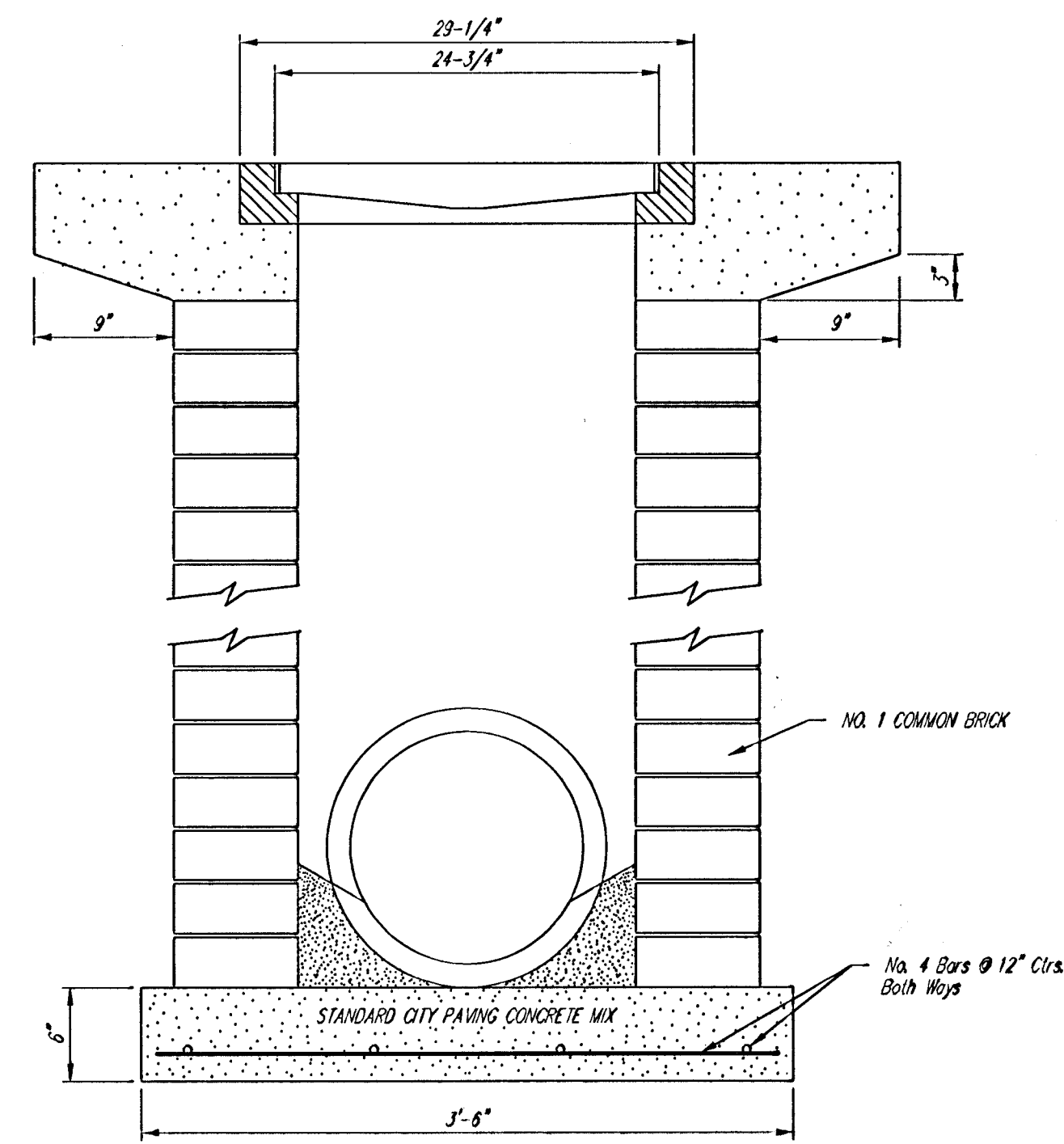
DEETER #2433 GRATE

24" x 24" Frame and Grate Detail

NOTE: Grates shall be imprinted on the top surface with "CITY OF WICHITA" using letters at least 1" in height. Other marking methods may be approved by the engineer.



Double 24" x 24" Frame Detail



City of Wichita Standard Drop Inlet				
BAUGHMAN COMPANY P.A. ENGINEERING, SURVEYING, & PLANNING 318-282-7271 • 315 ELLIS • WICHITA, KANSAS 67211				
PROJECT NUMBER				
DESIGN C.O.W.	DRAWN Staff	APPROVED	DATE	SCALE NONE
				SHEET 25 OF 28