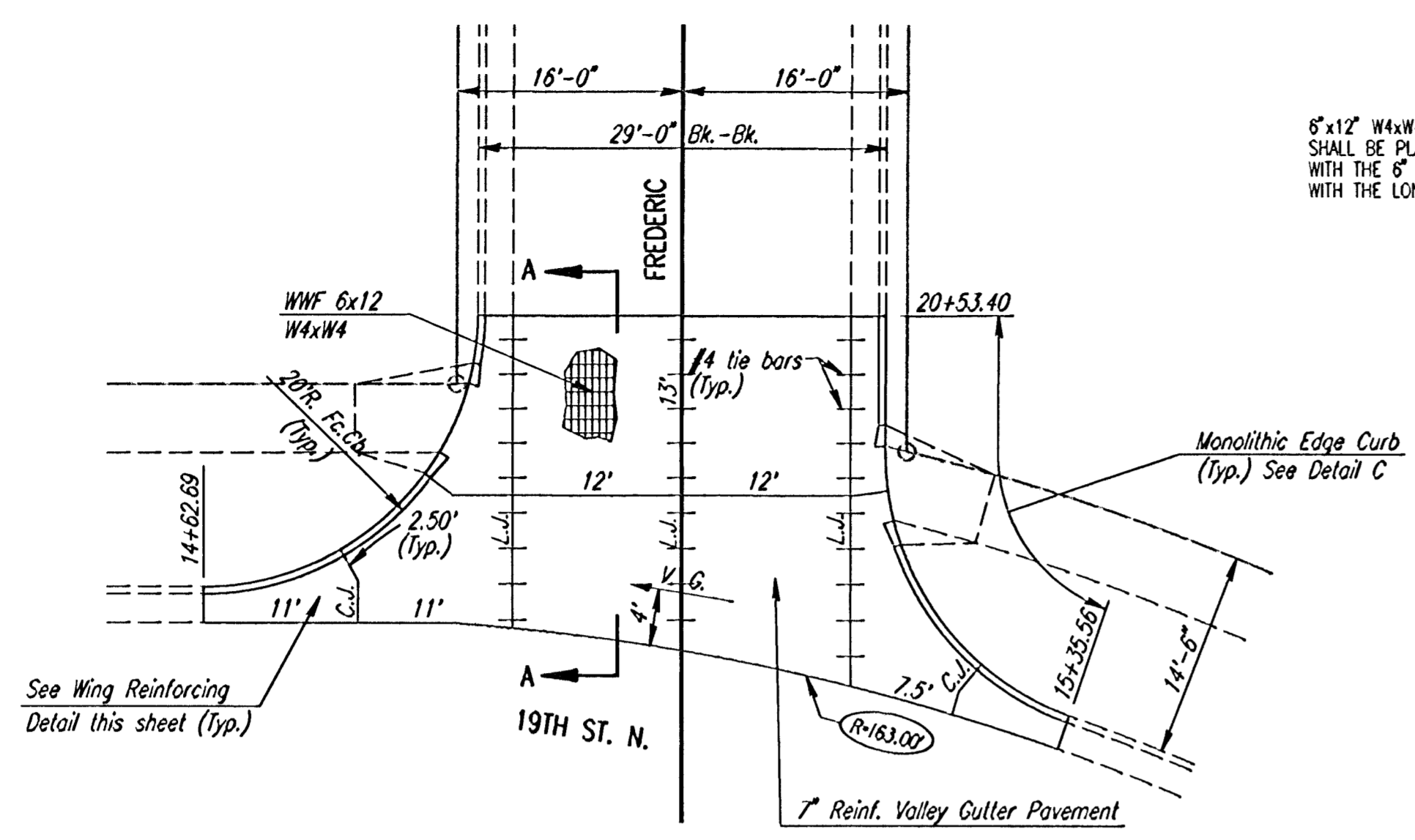
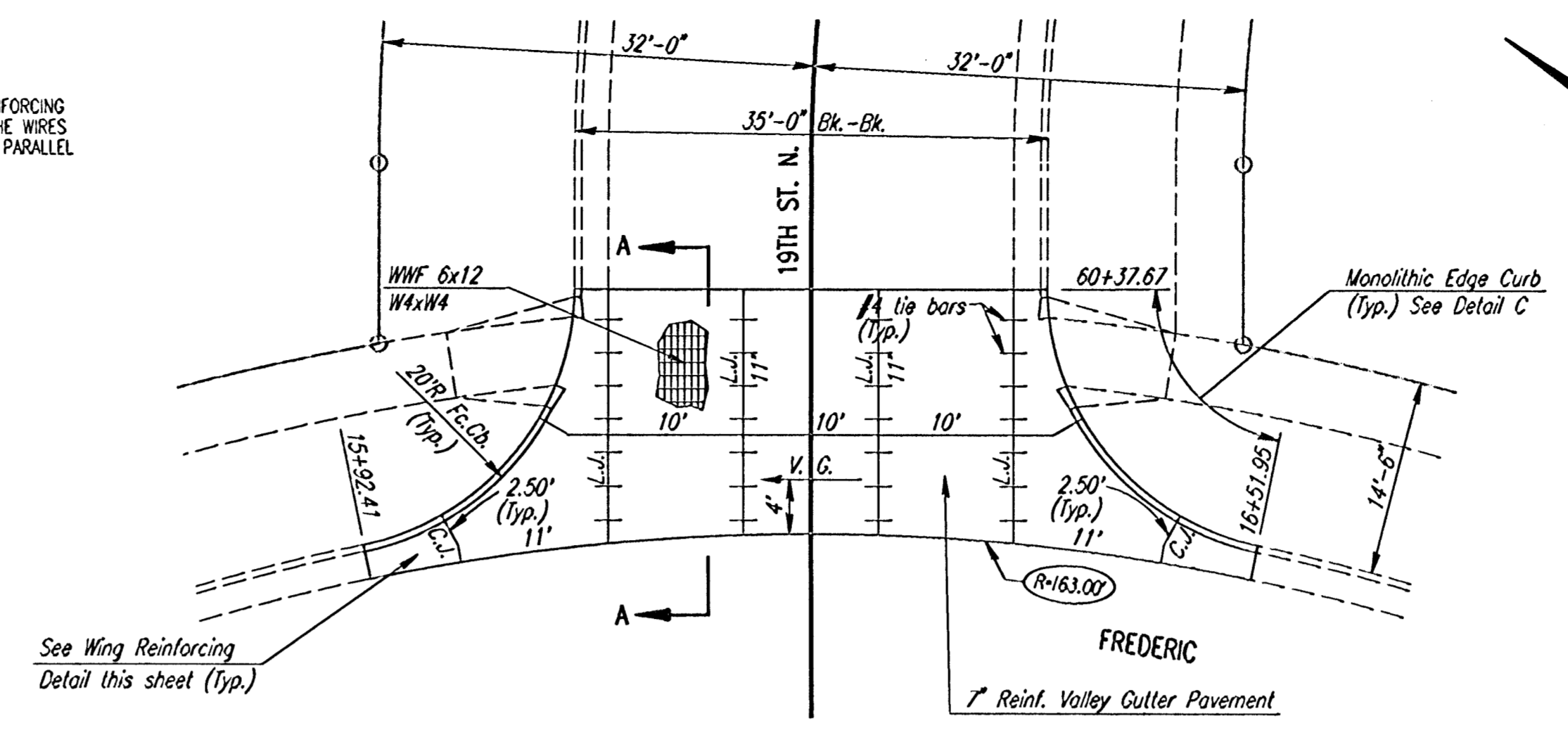


PROJECT NO.	SHEET NO.	TOTAL SHEETS
472-76-245-83375-000-000-001	14	58

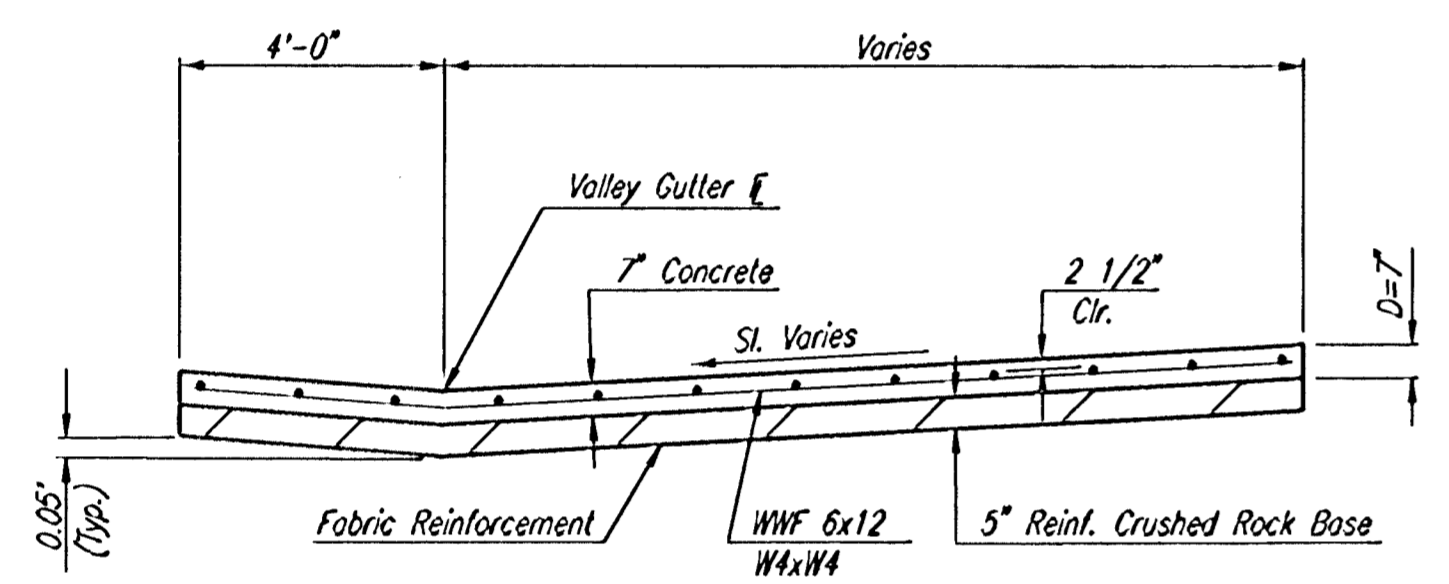


PLAN  
REINFORCED VALLEY GUTTER



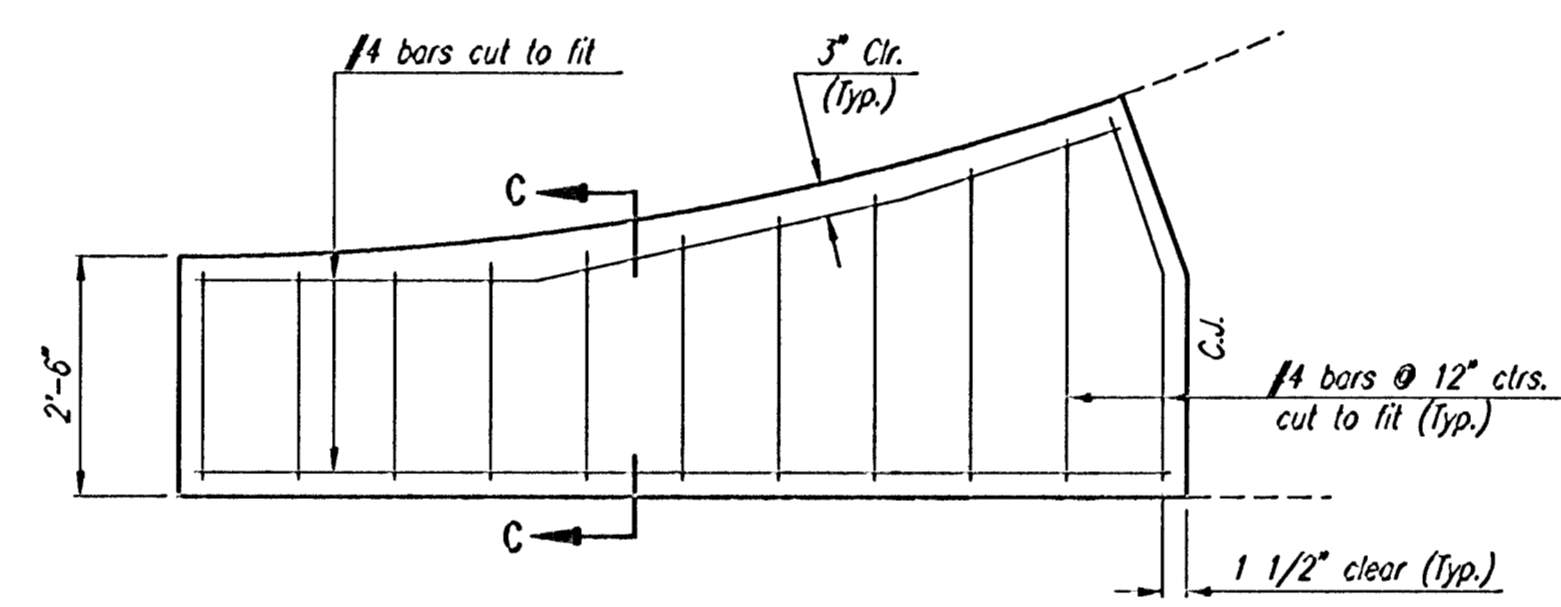
PLAN  
REINFORCED VALLEY GUTTER

SCALE: 1" = 10'



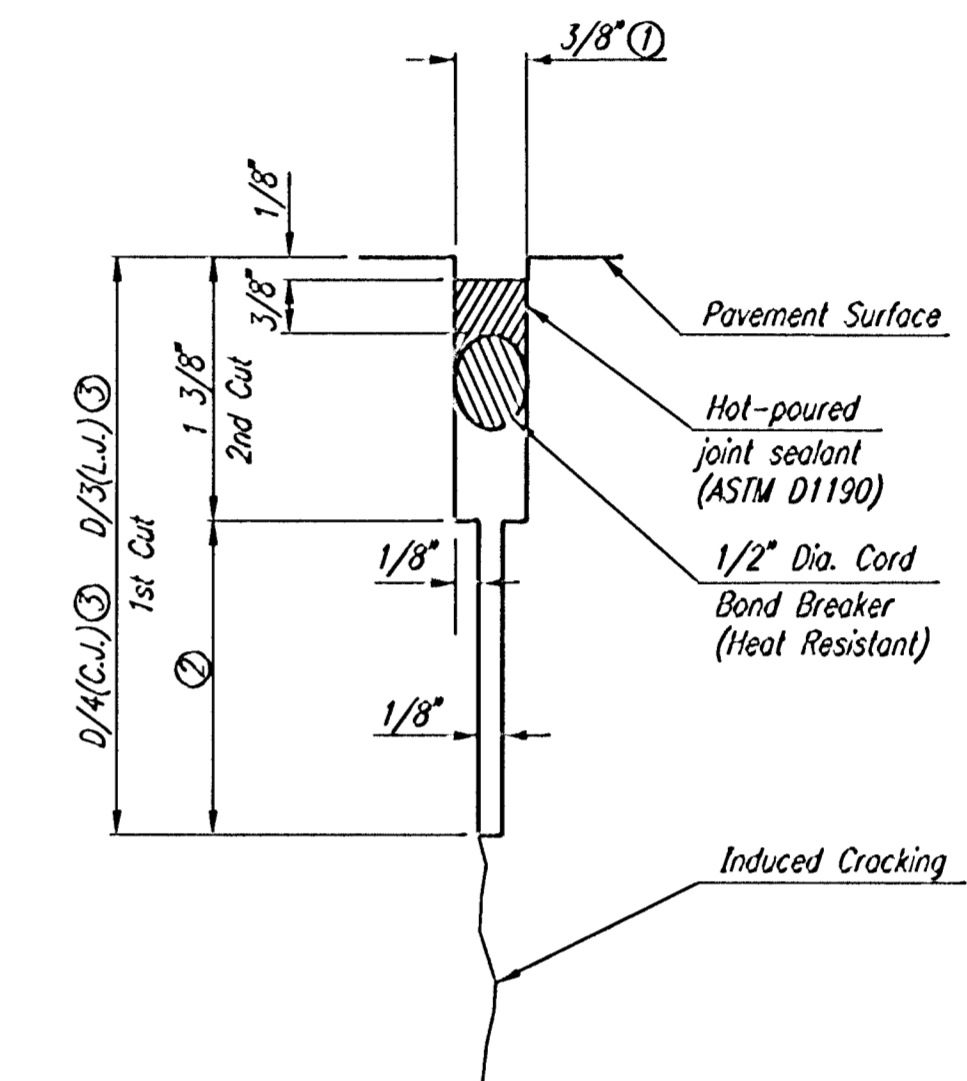
SECTION A-A

NOTE: OMIT REINFORCING MESH AT ALL JOINTS  
NOTE: ALL CONCRETE VALLEY GUTTER REINFORCEMENT SHALL BE ADEQUATELY SUPPORTED BY BAR CHAIRS IN THE REQUIRED POSITION UNLESS APPROVED OTHERWISE BY THE ENGINEER.



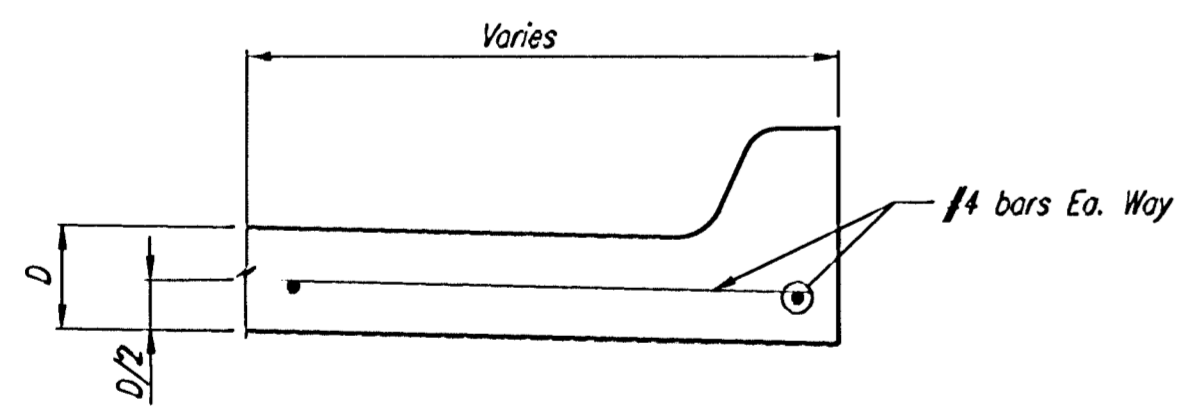
WING REINFORCING DETAIL

NOTE: OMIT WIRE FABRIC REINFORCING IN THIS SECTION.

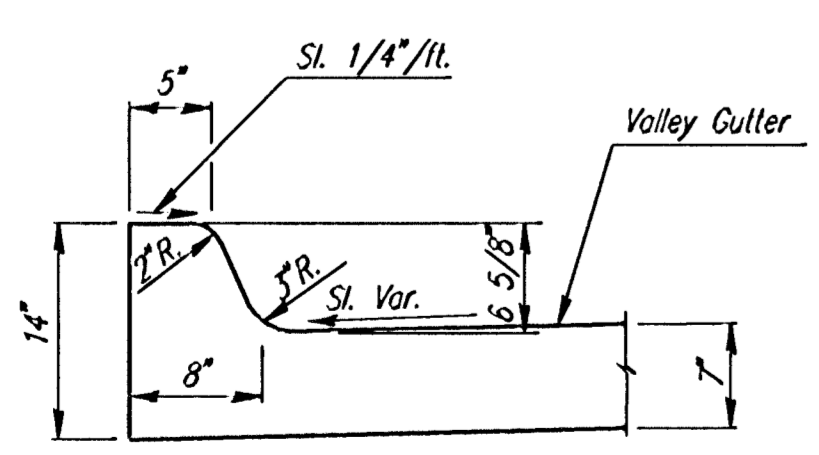


DETAIL A

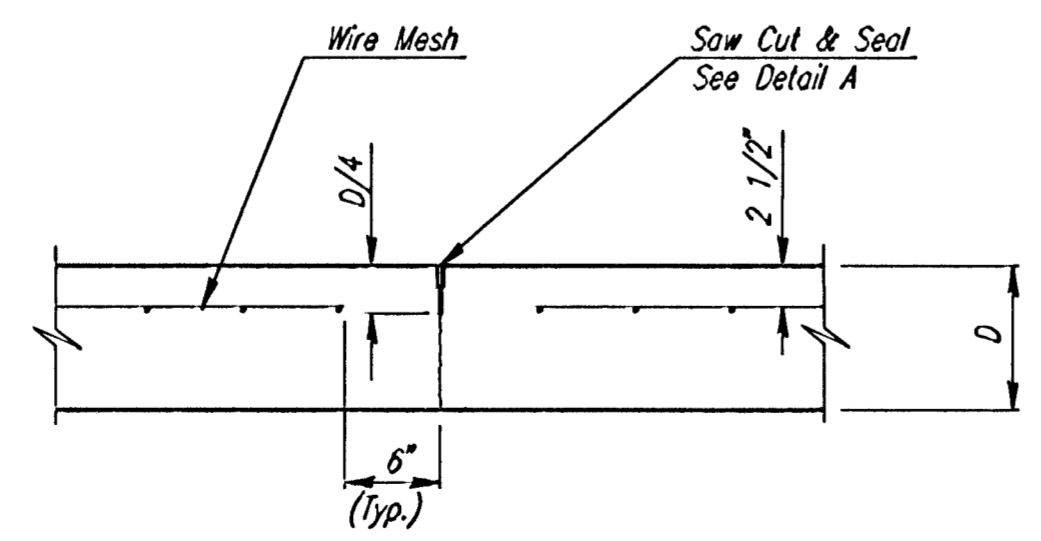
- ① To be accomplished in 2 cuts for Longitudinal Joints and Contraction Joints. Initial cut to be 1/8" wide.
- ② Eliminate bottom of cut when metal keyway is used as part of Longitudinal or Transverse Construction Joint and at Doweled Construction Joint Locations.
- ③ 1 1/2" Minimum



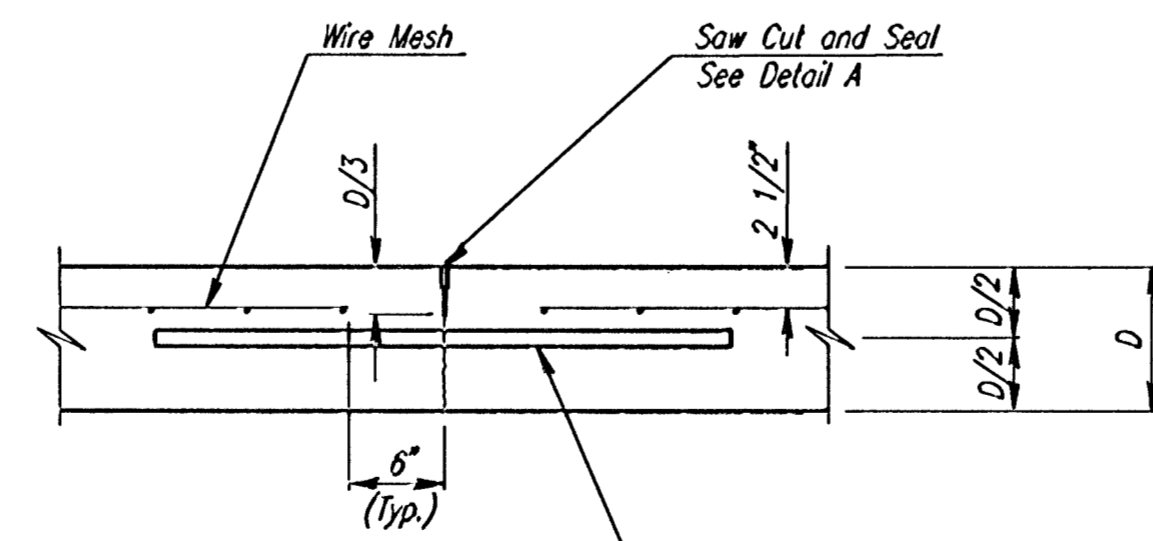
SECTION C-C



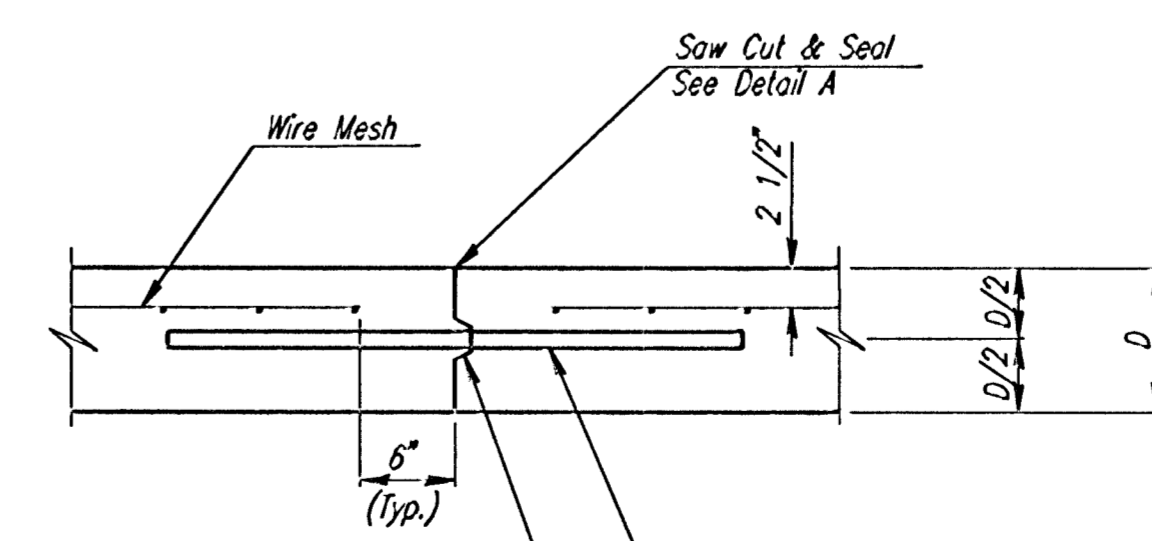
DETAIL C  
(STANDARD CURB)(6 5/8")  
MONOLITHIC EDGE CURB



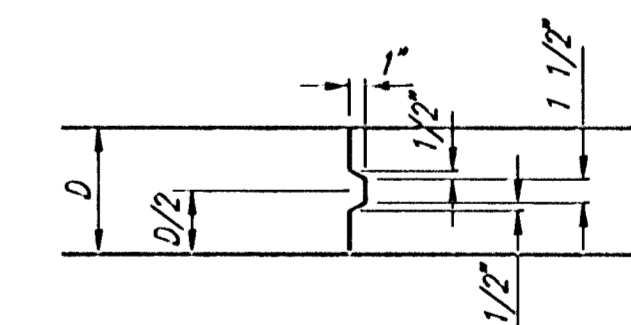
CONTRACTION JOINT DETAIL  
REINFORCED PAVEMENT  
(C.J.)



LONGITUDINAL JOINT DETAIL  
REINFORCED PAVEMENT  
(TRANSVERSE SECTION)



LONGITUDINAL CONSTRUCTION JOINT DETAIL  
REINFORCED PAVEMENT  
(ALTERNATE L.J.)



KEYWAY DETAIL

Revisions		By	Date
REMINGTON PLACE-PHASE I CITY OF WICHITA, KANSAS <b>VALLEY GUTTER DETAILS</b>			
Professional Engineering Consultants, P.A. 303 S. TOPEKA • WICHITA, KANSAS 67202 316-262-2671 • FAX 316-262-3003			
Designed by	BER	Checked by	
Drawn by	BJS	Date	JUNE 2001
		Job No.	01158

I: 2001/01158/valgudr.dgn  
 Date Plotted: Aug. 30, 2001  
 Deliver To: Brent Reinsberg