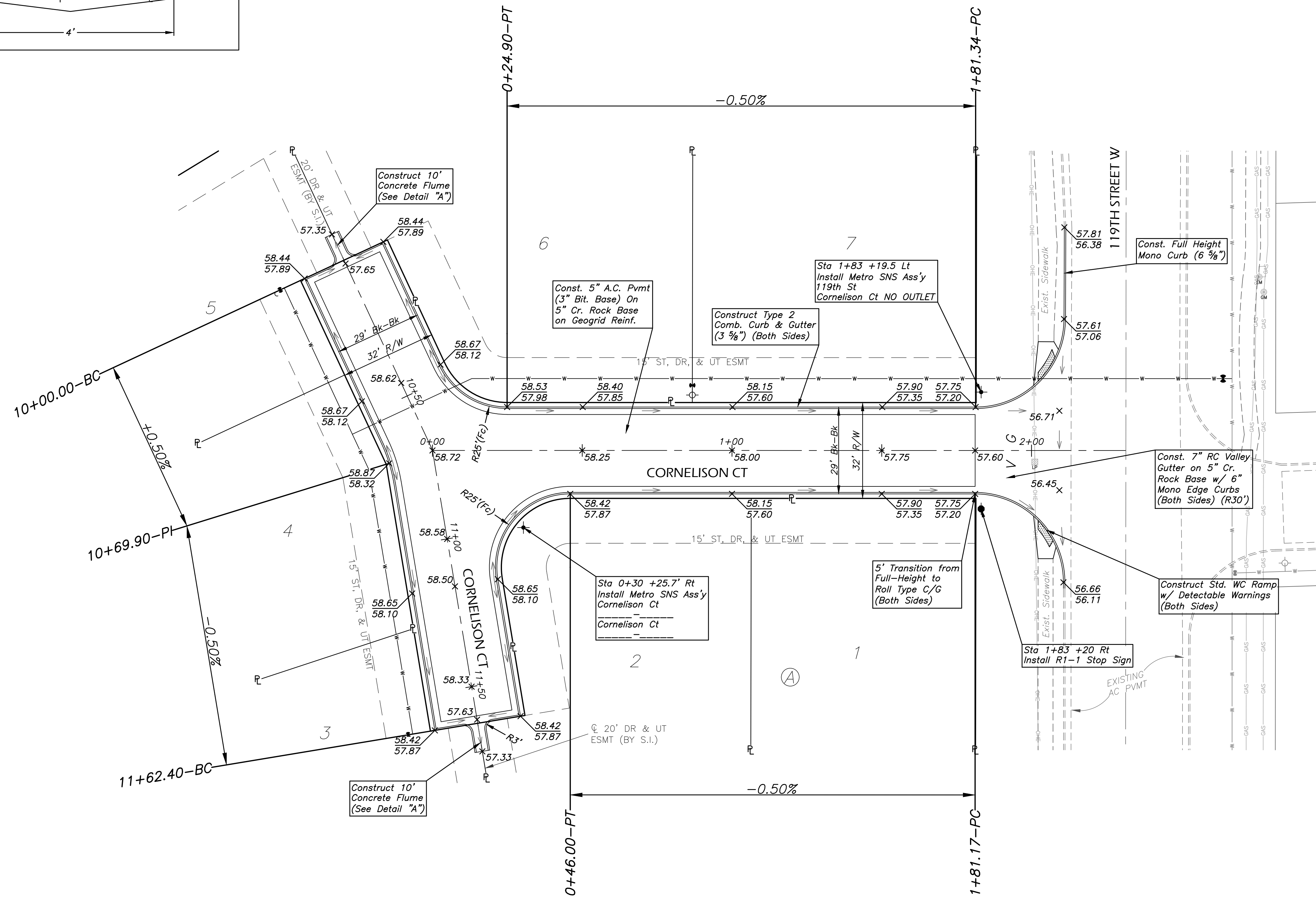
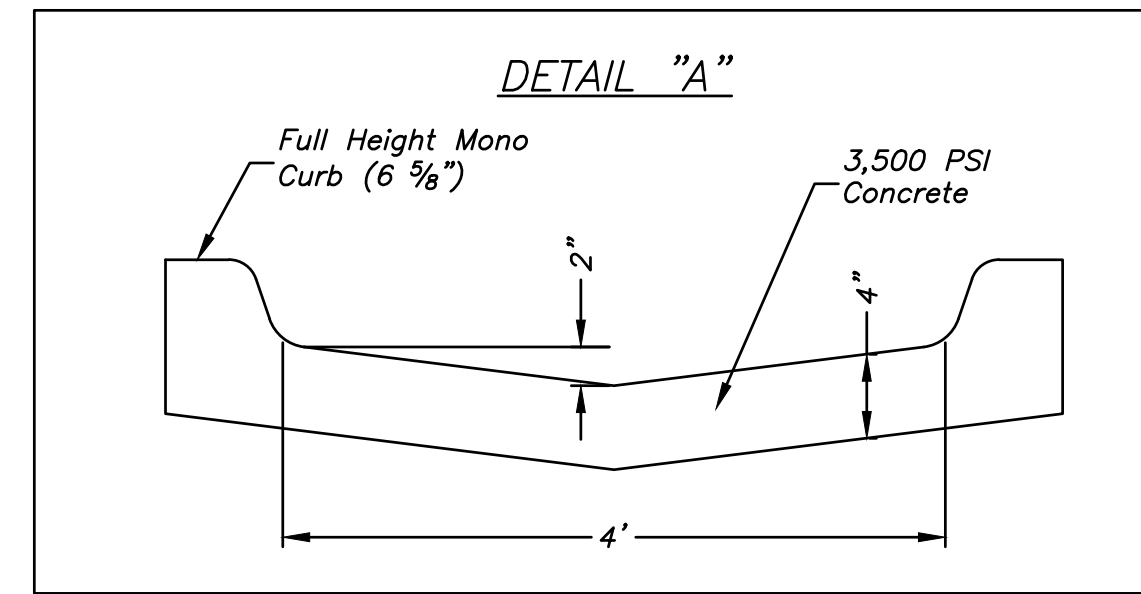


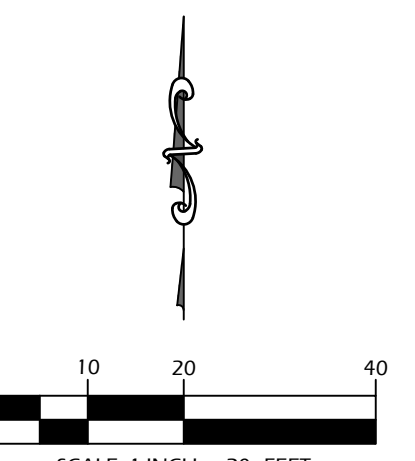


THIS SHEET HAS BEEN
SIGNED, SEALED AND
DATED DIGITALLY

PAVING IMPROVEMENTS
SUNRIDGE 4TH ADDITION
WICHITA, KANSAS



Roll Type Curb & Gutter to be
Constructed on this sheet.
Elevations for top of curb are
given for standard full height curb.



REVISIONS

NO.	DESCRIPTION	DATE

KEM PROJ. 21183	DATE 03.2024
DESIGNED KEM	DRAWN ZJS

**Paving Plan
Cornelison Ct**

SHEET **3.0**