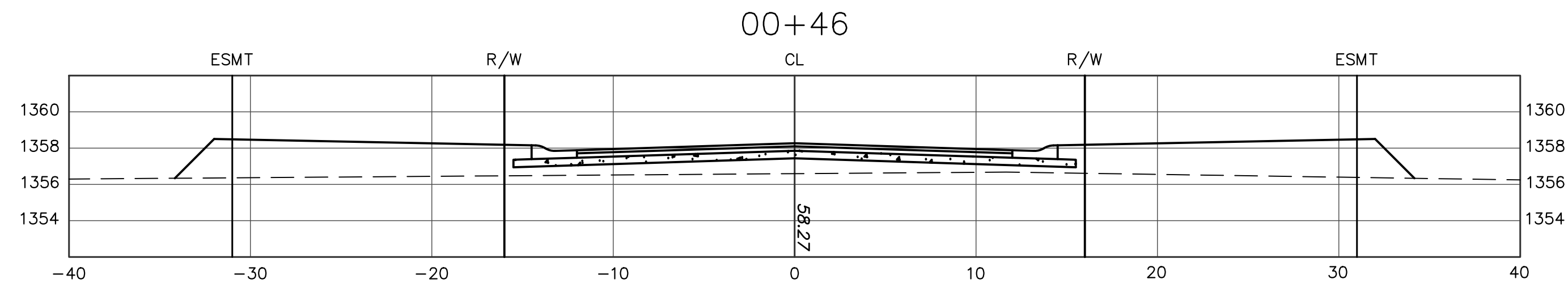


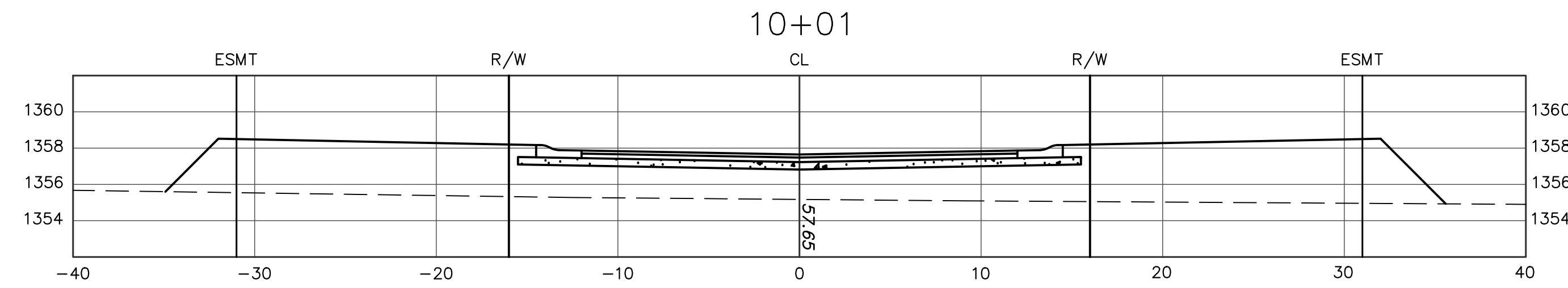


THIS SHEET HAS BEEN
SIGNED, SEALED AND
DATED DIGITALLY

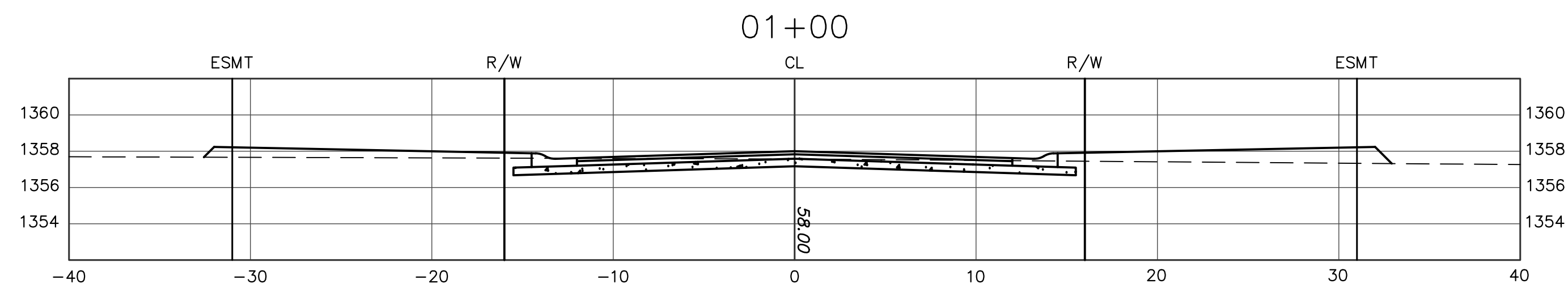
PAVING IMPROVEMENTS
SUNRIDGE 4TH ADDITION
WICHITA, KANSAS



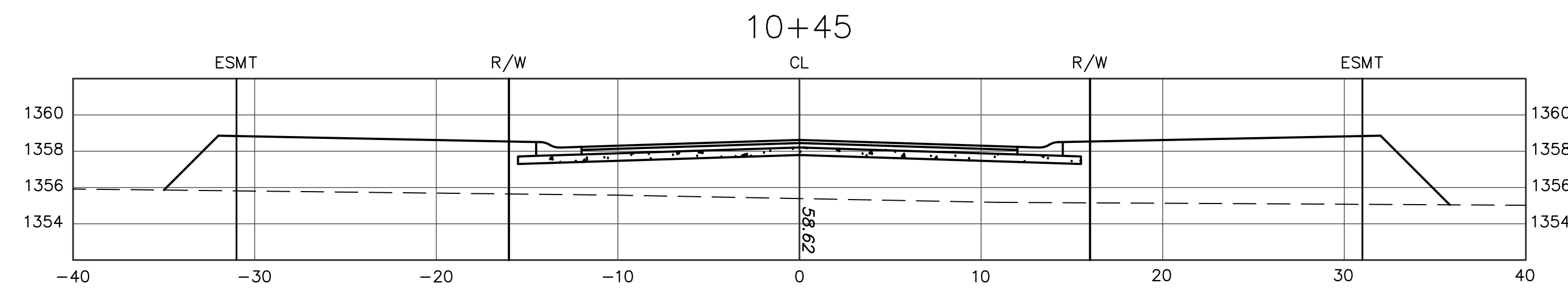
EXC: 18.61 CY
CF: 40.41 CY
LF: 66.20 CY



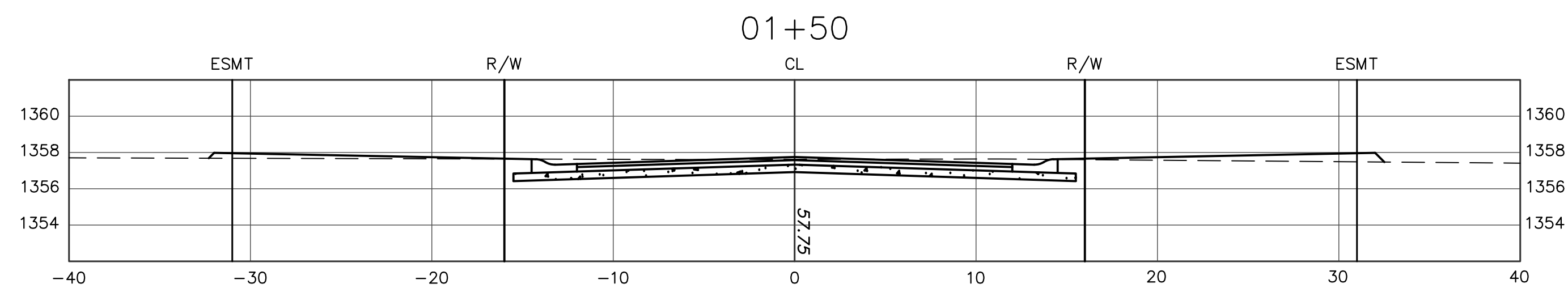
EXC: 0.00 CY
LF: 78.17 CY
CF: 214.48 CY



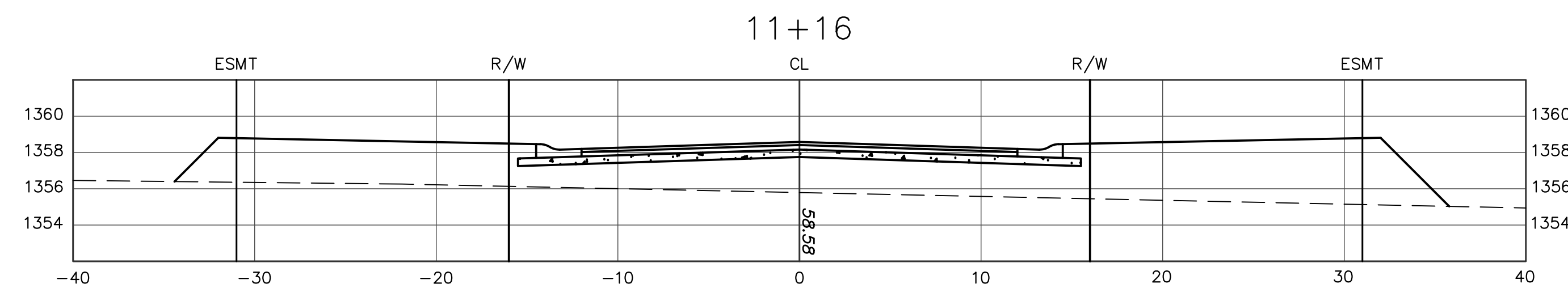
EXC: 43.24 CY
LF: 24.82 CY
CF: 0.00 CY



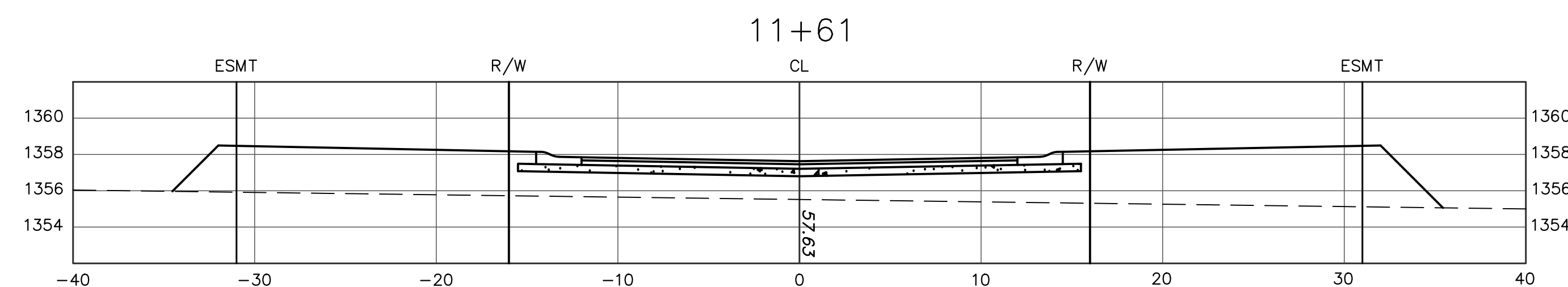
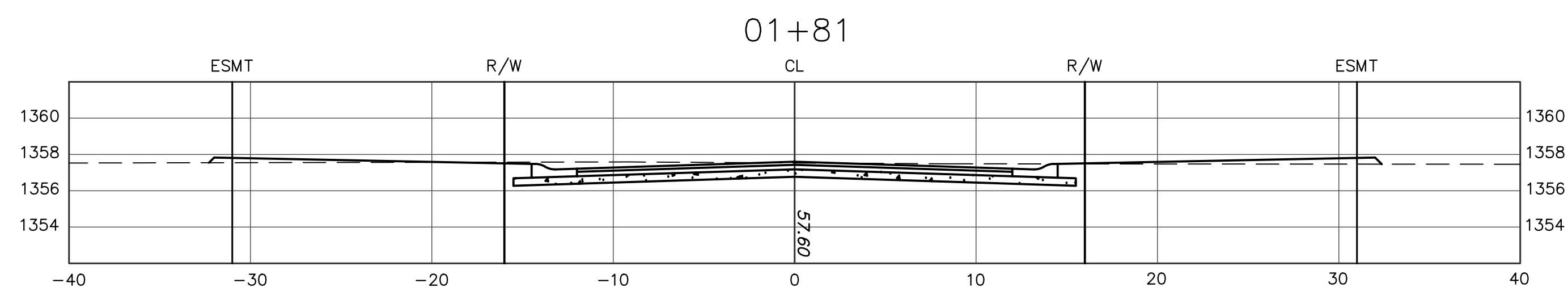
EXC: 0.00 CY
LF: 132.15 CY
CF: 324.81 CY



EXC: 33.32 CY
LF: 7.12 CY
CF: 0.00 CY



EXC: 0.00 CY
LF: 78.39 CY
CF: 176.94 CY



TOTAL EARTHWORK:
EXC: 95.17 CY
LF: 386.86 CY
CF: 756.65 CY

REVISIONS

KEM PROJ. 21183	DATE 03.2024
DESIGNED KEM	DRAWN ZJS

Cross Sections