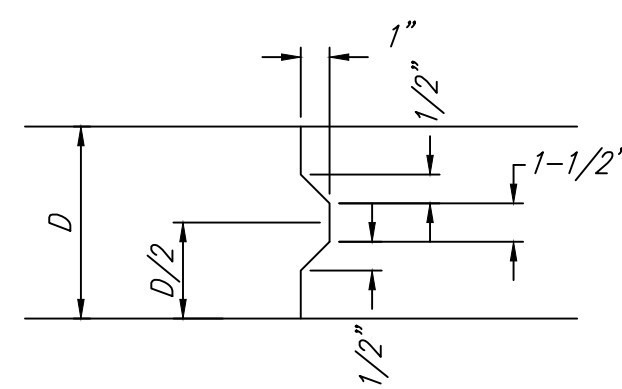
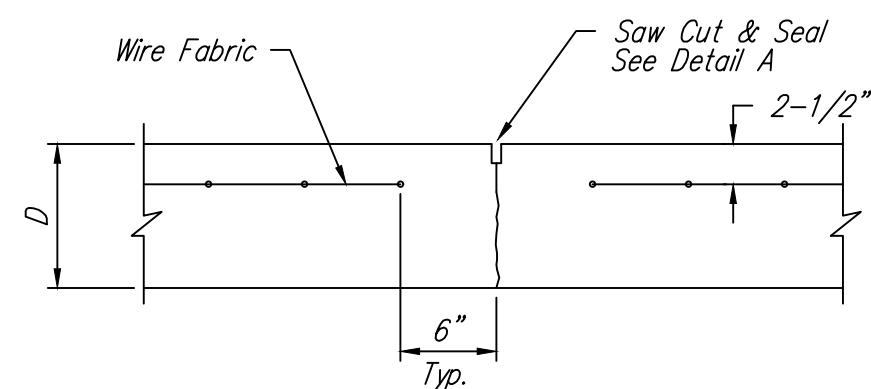


EXPANSION JOINT

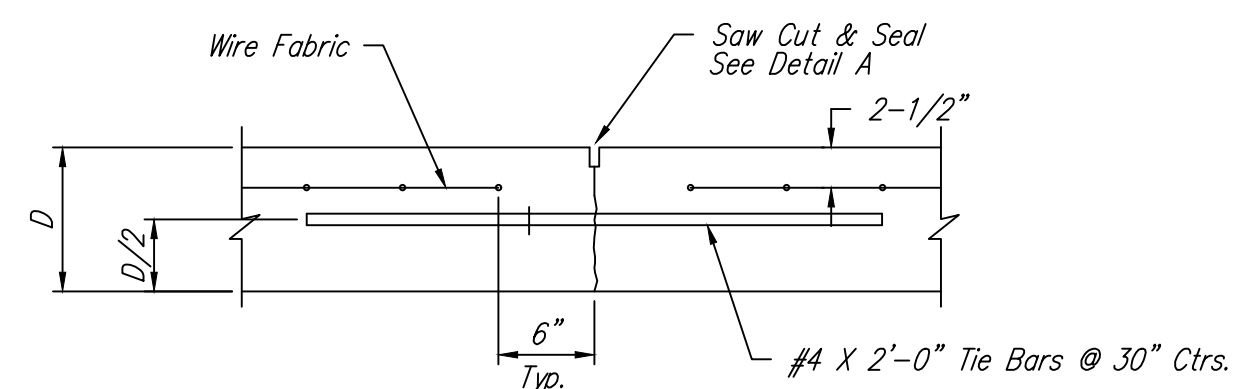
NOTE: Extra Thickness to be Subsidiary to Price of Square Yards Pavement



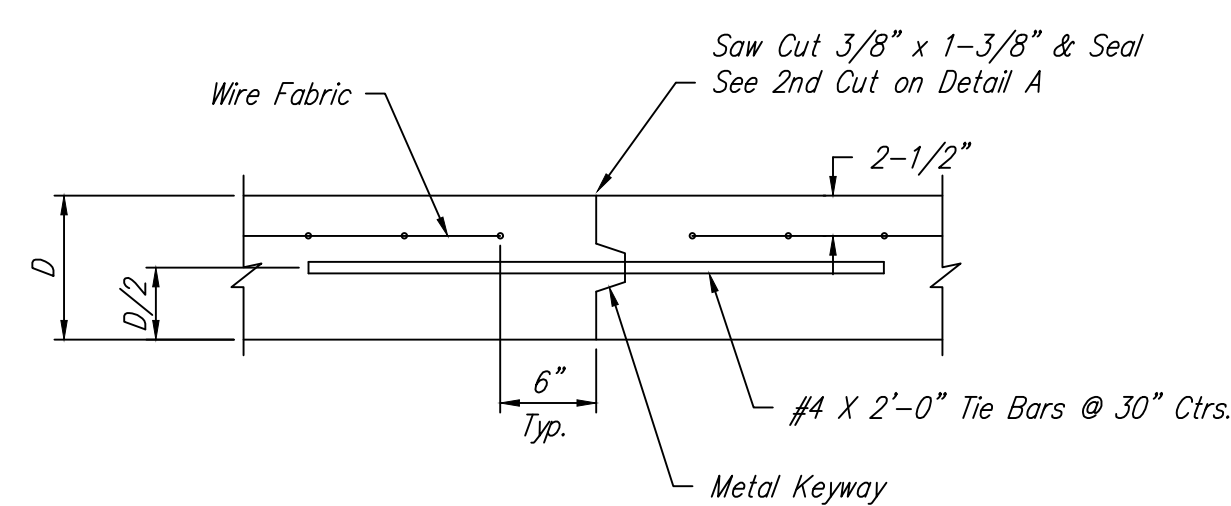
KEYWAY DETAIL



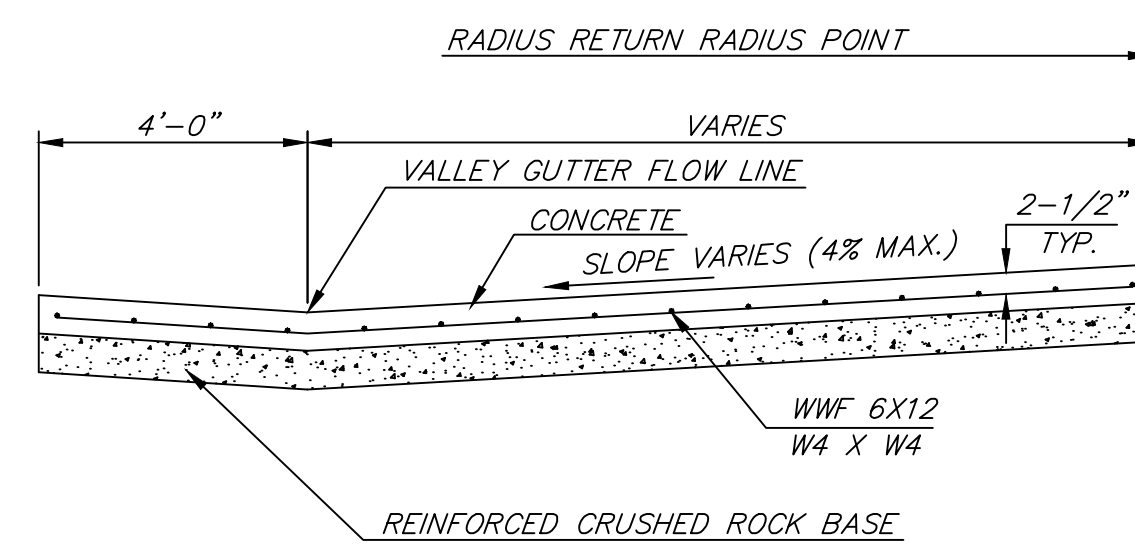
CONTRACTION JOINT DETAIL (C.J.)



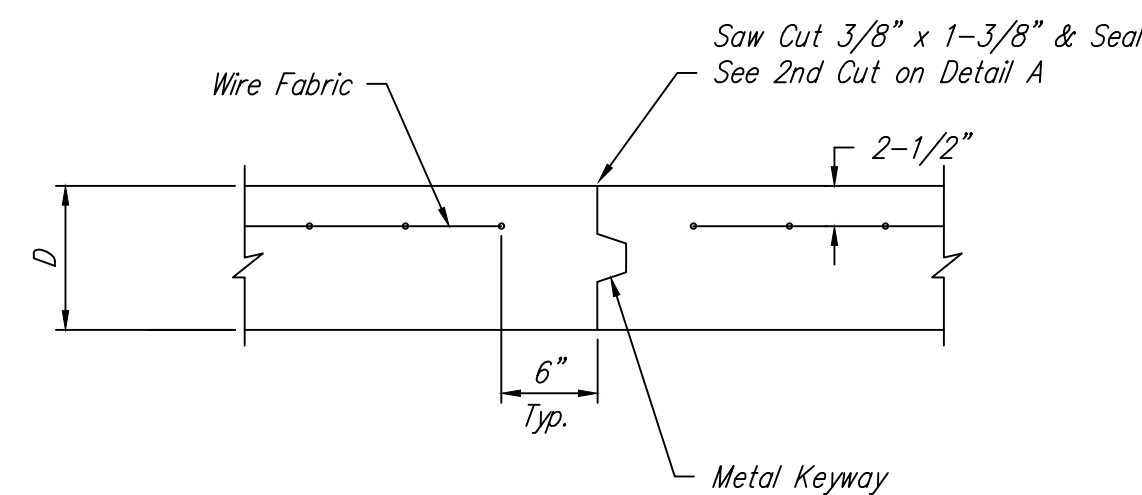
LONGITUDINAL JOINT DETAIL (L.J.)



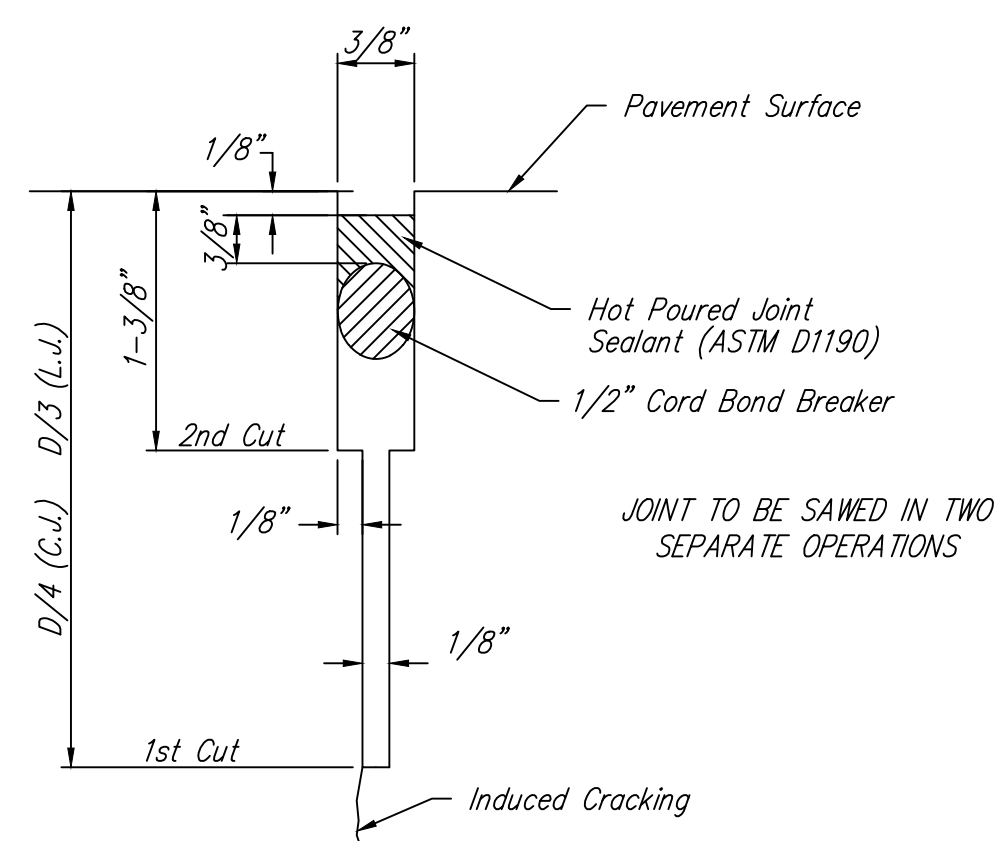
OPTIONAL LONGITUDINAL JOINT DETAIL (L.J.)



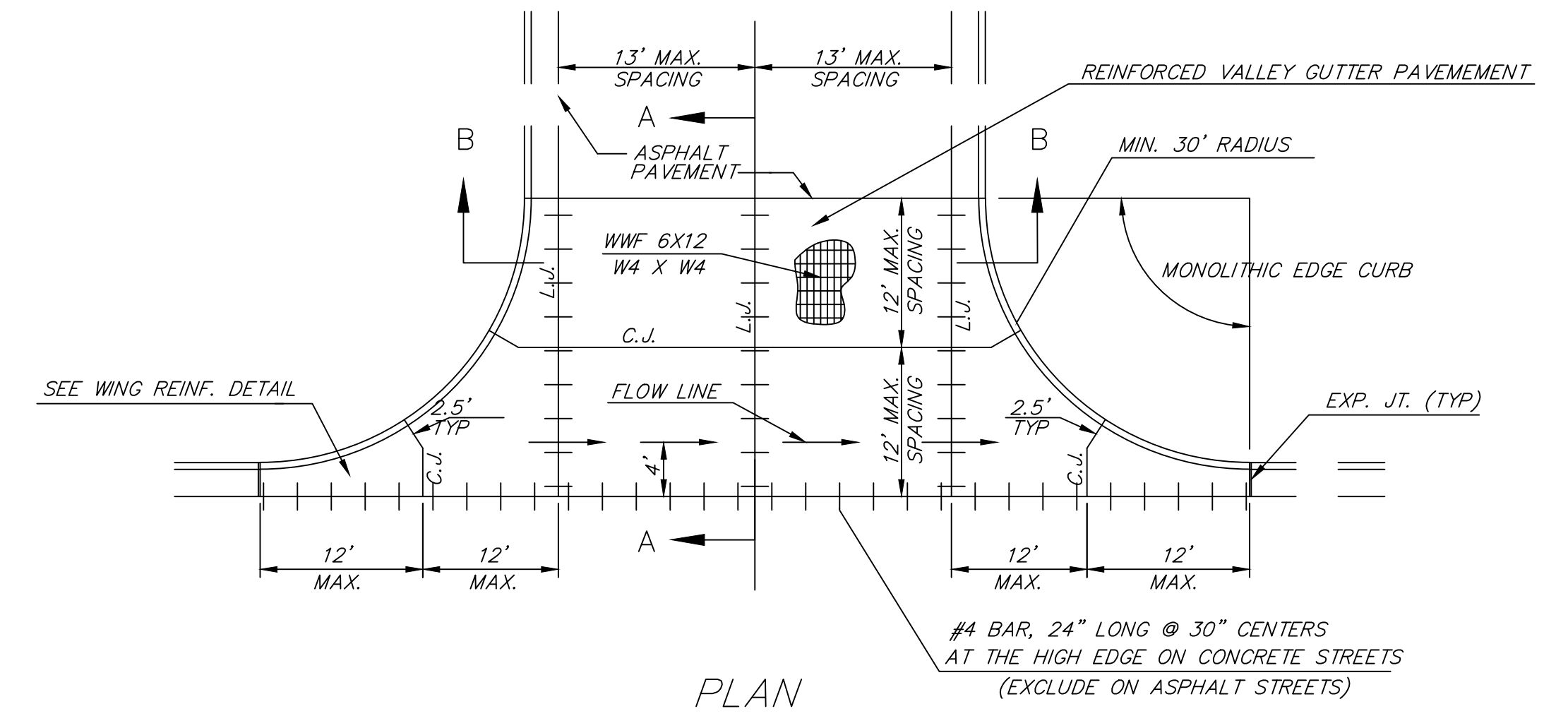
SECTION A-A



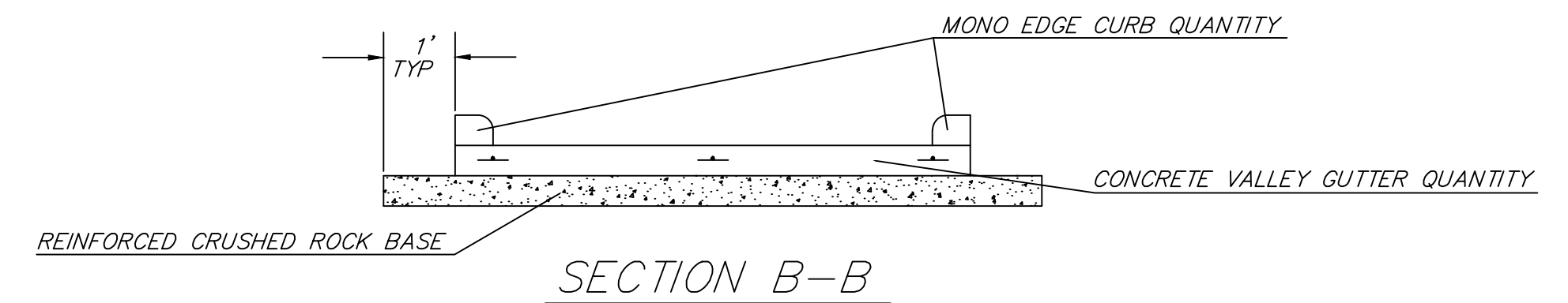
OPTIONAL CONTRACTION JOINT



SAW JOINT DETAIL (DETAIL A)

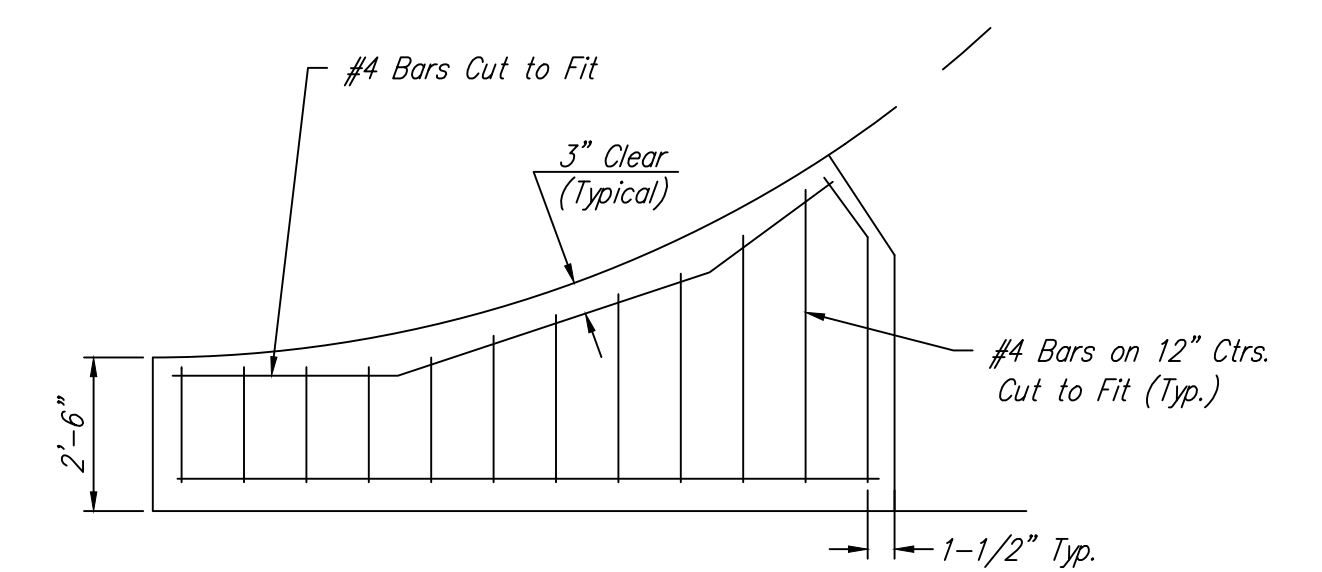


PLAN




SECTION B-B

REINFORCED VALLEY GUTTER DETAIL



WING REINFORCING DETAIL

| | | | |
|--|------------|---|---------------------|
| REVISION MAY 2017 | | SECTION B-B, ROCK EXTENDED ONE FOOT BEYOND PAVEMENT | |
|  | | | |
| VALLEY GUTTER DETAILS | | | |
| CITY ENGINEER GARY JANZEN, P.E. | | | |
| PROJECT NUMBER | OCA NUMBER | DATE | |
| CITY ENGINEER'S OFFICE CITY HALL - SEVENTH FLOOR 455 NORTH MAIN STREET WICHITA, KANSAS 67202-1620 (316) 268-4501 | | | SHEET 5.2 |