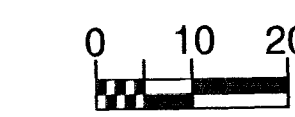
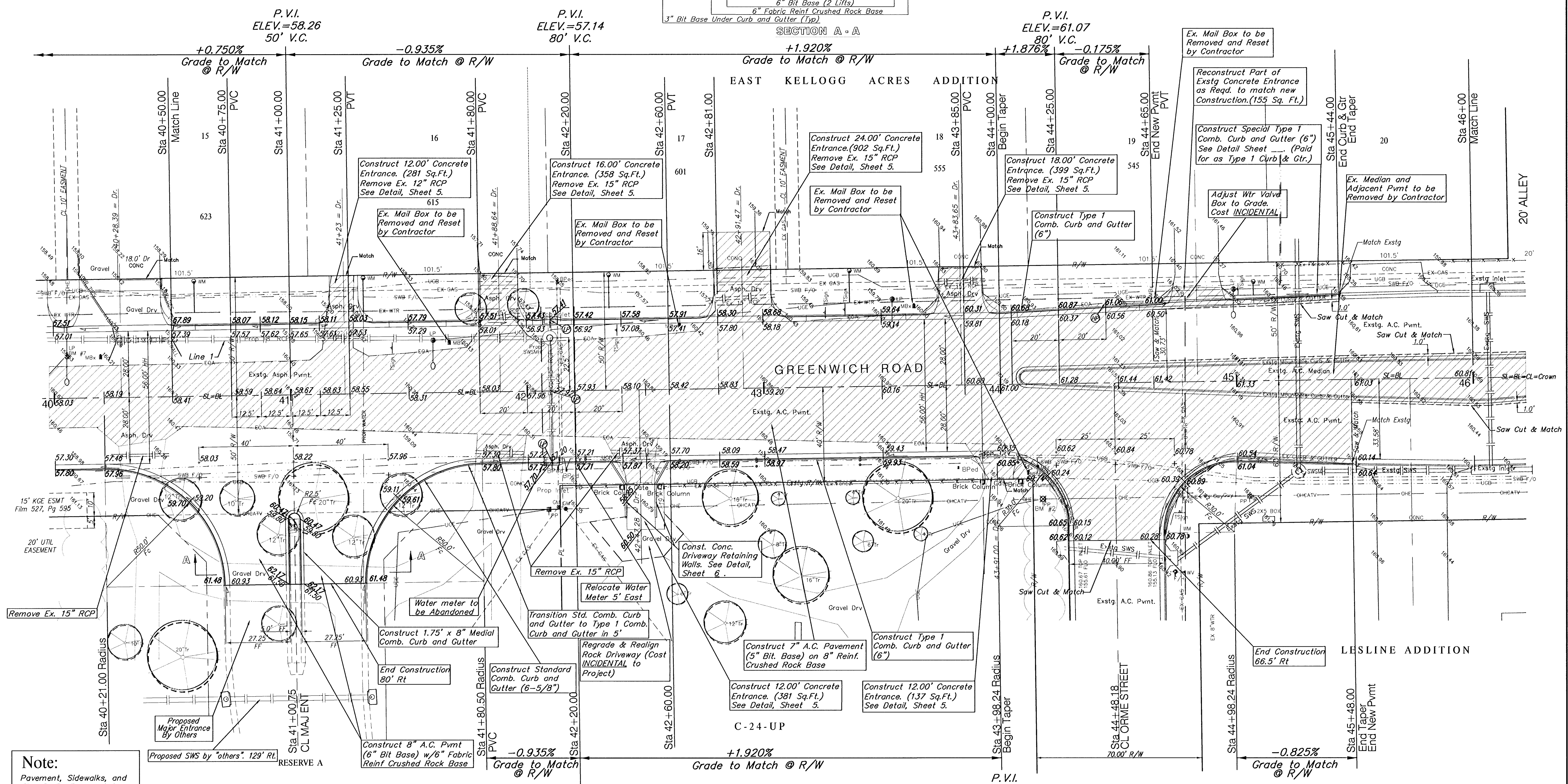
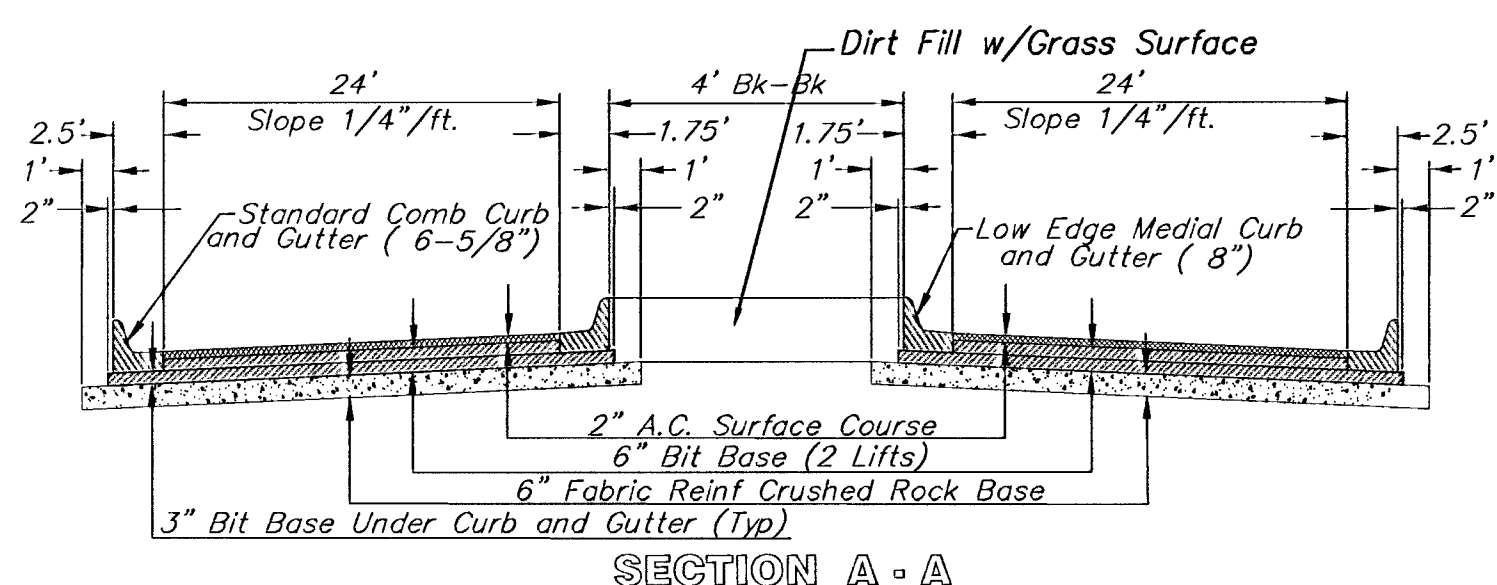


**BENCHMARK:**

BM #2 - RR Spike in North face of PP, at SE Corner of Greenwich Road and Orme Street, Sta. 144+17.26, 48.61 Rt. Elev. = 162.97 City Datum (1350.37 M.S.L.)



SCALE: 1" = 20'



**Note:**  
Pavement, Sidewalks, and Etc. To Be Removed Are Indicated By:

ONE KELLOGG PLACE 2ND ADDITION

P.V.I. ELEV.=57.43  
80' V.C.

P.V.I. ELEV.=60.84  
No V.C.

|                               |                          |   |
|-------------------------------|--------------------------|---|
| PROJECT NUMBER<br>472 - 83370 | SHEET NAME<br>PAV02 GREN | ENGINEERING DIRECTORY<br>F:\Kellog_grenwich\pav |
| DESIGN<br>JFB/KK              | DRAWN<br>TCA             | APPROVED<br>JFB                                 |
| DATE<br>JUNE01                | SCALE<br>1:20            | BAUGHMAN NO<br>01 06 E045                       |

ONE KELLOGG PLACE 2ND ADDN  
**PAVING PLAN**  
GREENWICH ROAD FROM GILBERT TO KELLOGG AVE

**BAUGHMAN COMPANY, P.A.**  
ENGINEERING, SURVEYING, & PLANNING  
316-262-7271 \* 315 ELLIS \* WICHITA, KANSAS 67211

SHEET 8  
OF 43

F:\Eng\MEL06\_GB\greenwich\pav\pav02\_gren.dwg Mon Jul 16 20:18:17 2001