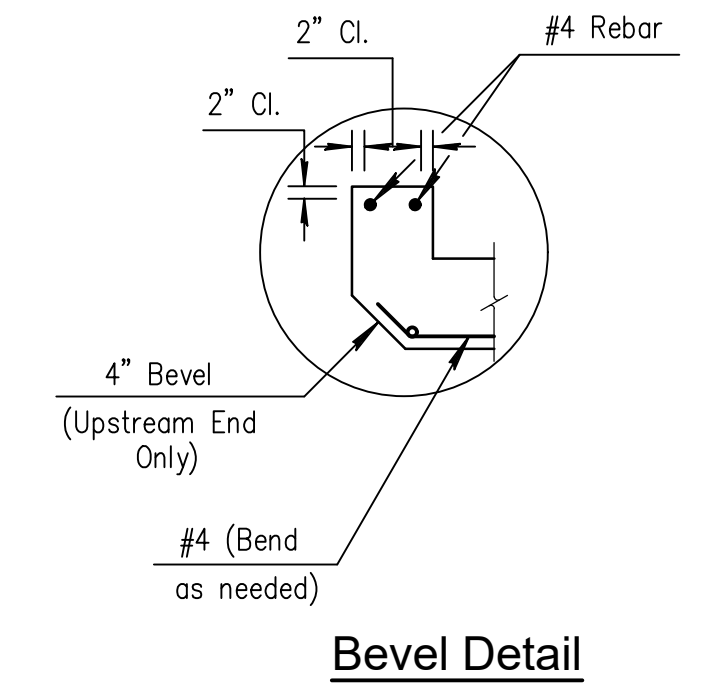
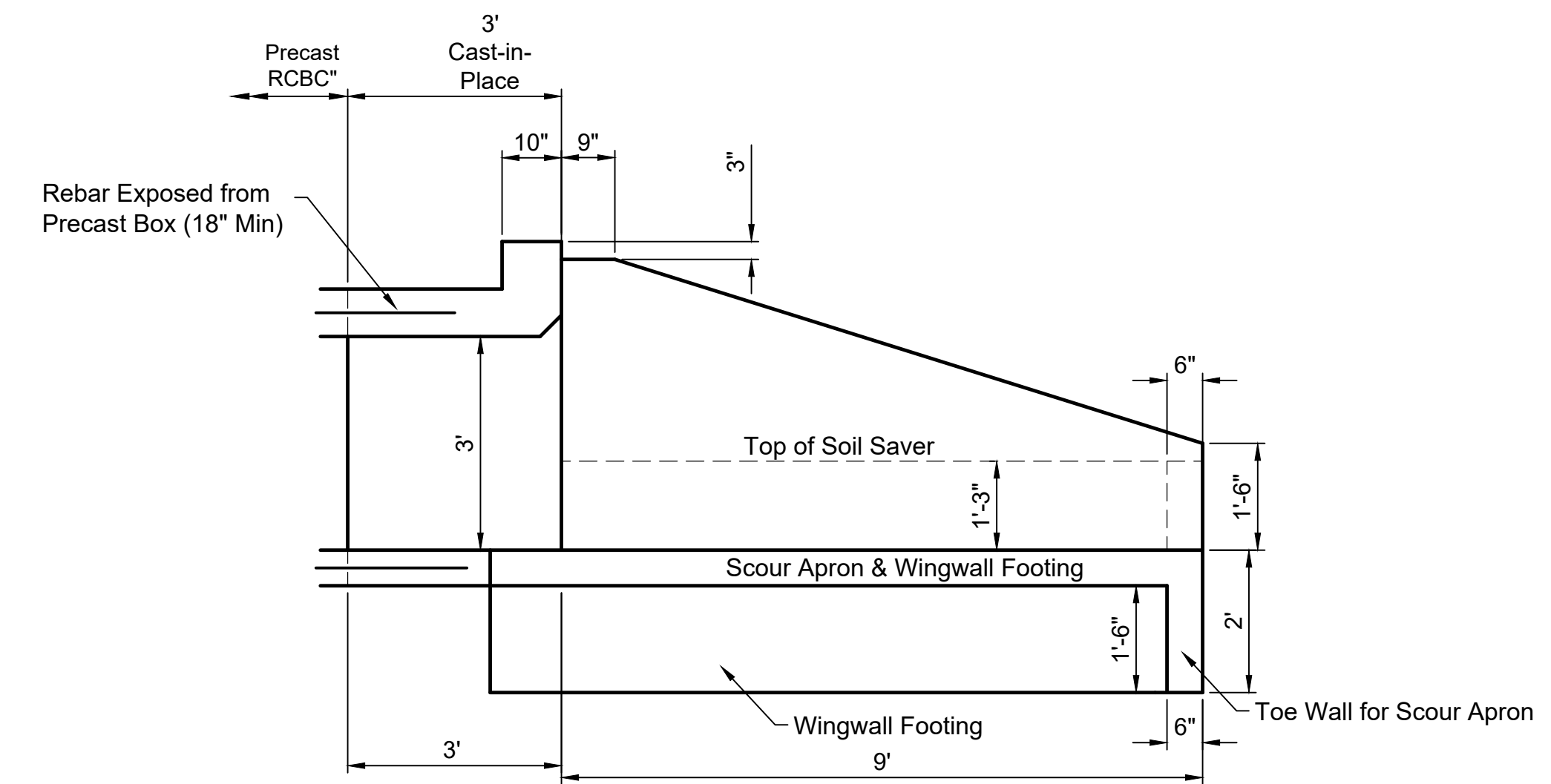
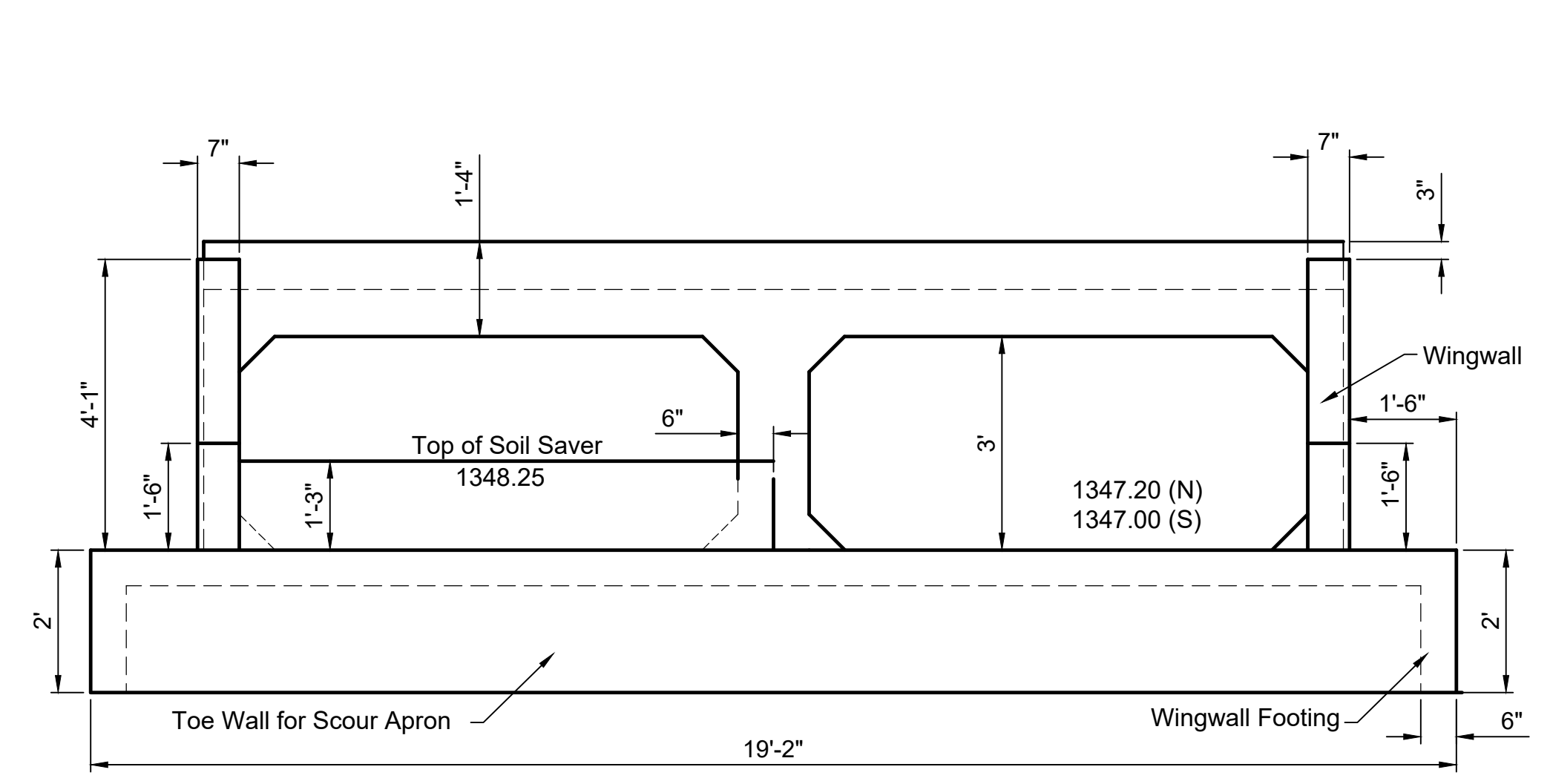


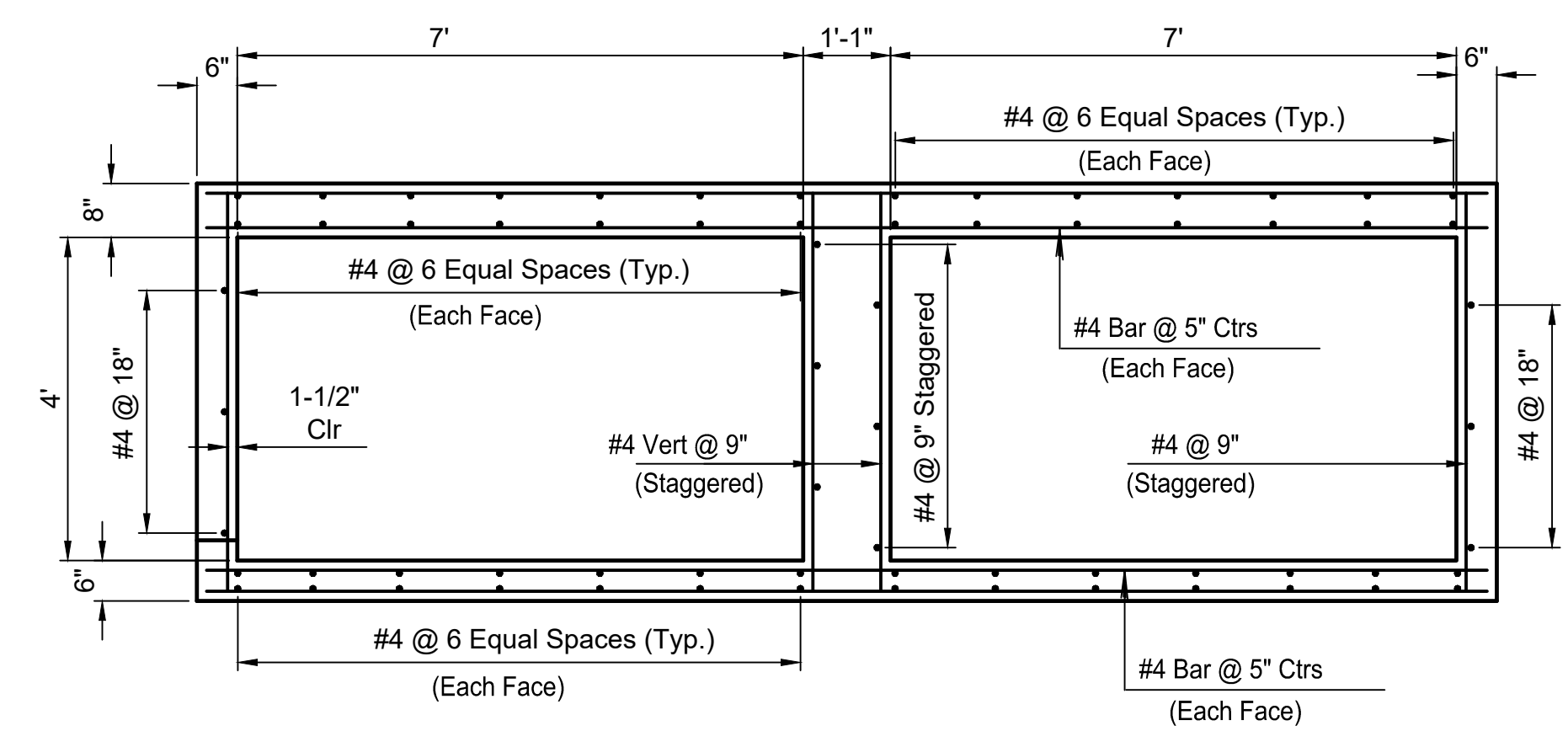
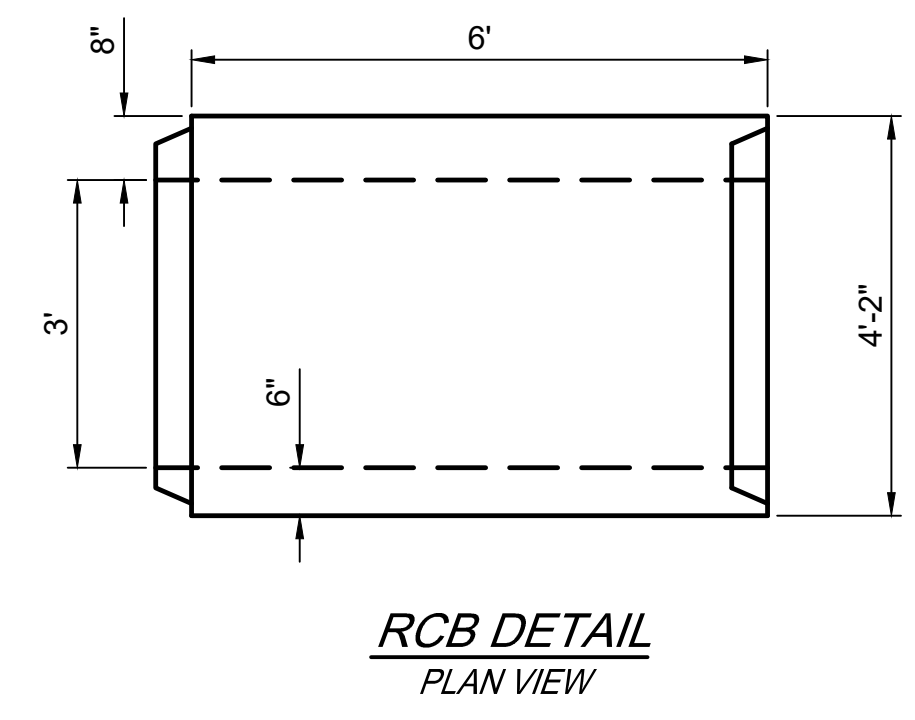
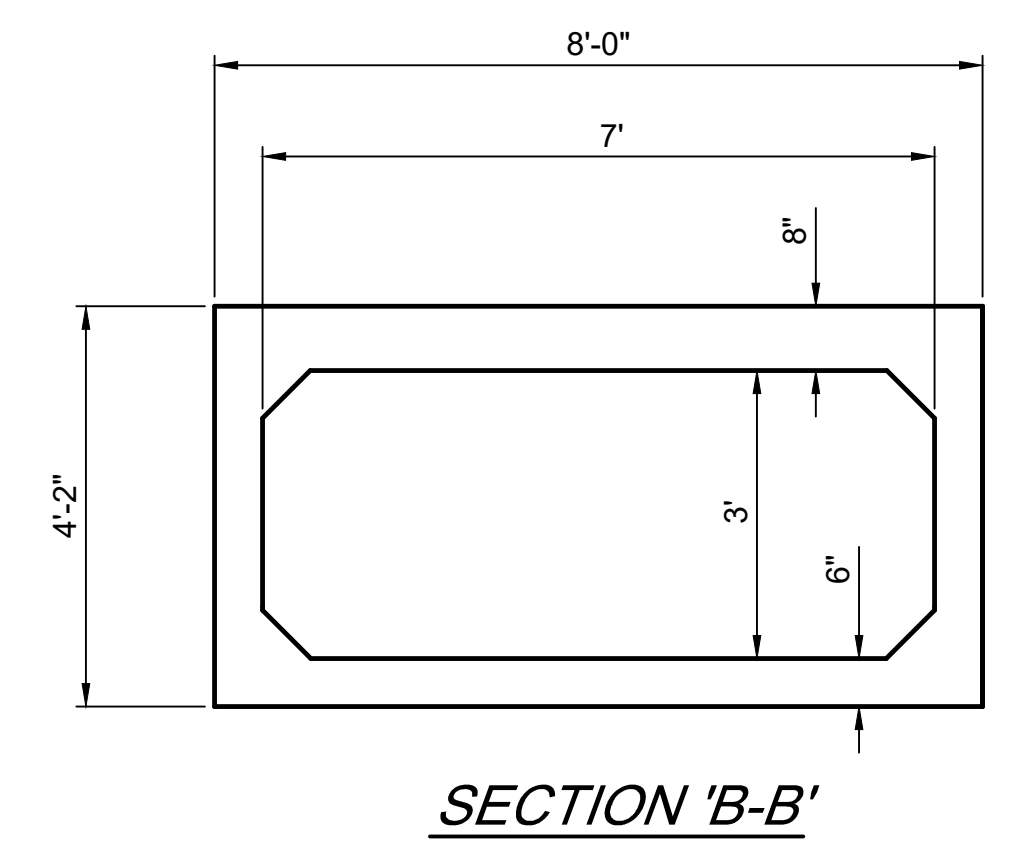
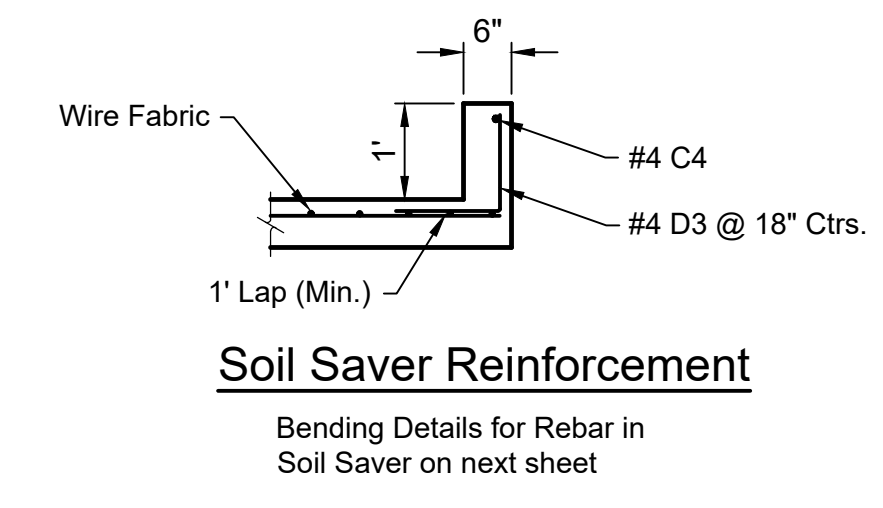
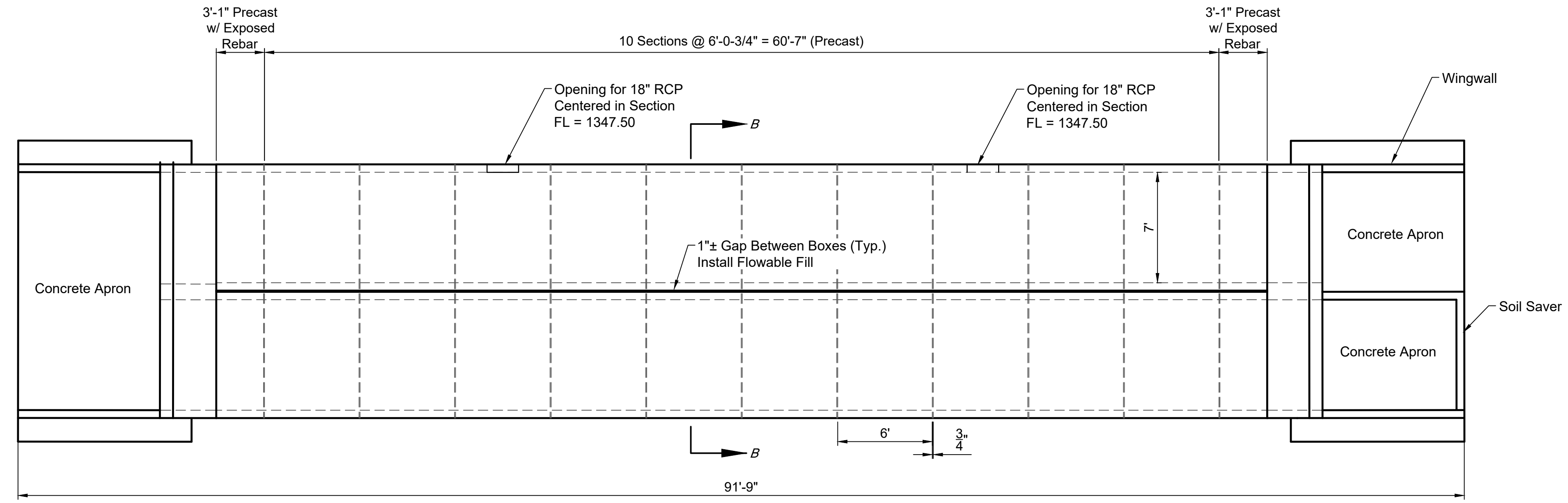


© 2024 GARVER, LLC
 THIS DOCUMENT, ALONG WITH THE IDEAS AND DESIGNS CONVEYED HEREIN, SHALL BE CONSIDERED INSTRUMENTS OF PROFESSIONAL SERVICE AND ARE PROPERTY OF GARVER, LLC. ANY USE, REPRODUCTION, OR DISTRIBUTION OF THIS DOCUMENT, ALONG WITH THE IDEAS AND DESIGN CONTAINED HEREIN, IS PROHIBITED UNLESS AUTHORIZED IN WRITING BY GARVER, LLC OR EXPLICITLY ALLOWED IN THE GOVERNING PROFESSIONAL SERVICES AGREEMENT FOR THIS WORK.

1995 Midfield Road
 Wichita, Kansas 67209



NOTES:
 Fill space between boxes with grout. To maintain proper joint gap, partially backfill boxes prior to grouting or provide a mechanical connection between boxes.



REV.	DATE	DESCRIPTION	BY



CITY OF WICHITA
 KANSAS
 GREENBRIAR BOX
 REPLACEMENT

Greenbriar
 Precast Details

JOB NO.: 19T41013
 DATE: JUNE 2019
 DESIGNED BY: KWL
 DRAWN BY: KWL

BAR IS ONE INCH ON ORIGINAL DRAWING
 0 = ONE INCH ON THIS SHEET.
 IF NOT ONE INCH ON THIS SHEET, ADJUST SCALES ACCORDINGLY.

DRAWING NUMBER

SHEET NUMBER **3** OF **10**

File: L:\2023\141-2302463 - Greenbriar Box\Drawings\DESIGN\3886D Greenbriar Engineering Base.dwg, Last Save: 3/29/2024 9:26 AM, Last saved by: KWL/lee
 Last plotted by: Lee, Ken W., Plot Style: ---, Plot Scale: 3/29/2024, 11:33 AM, Plotter used: None