

TOP VIEW

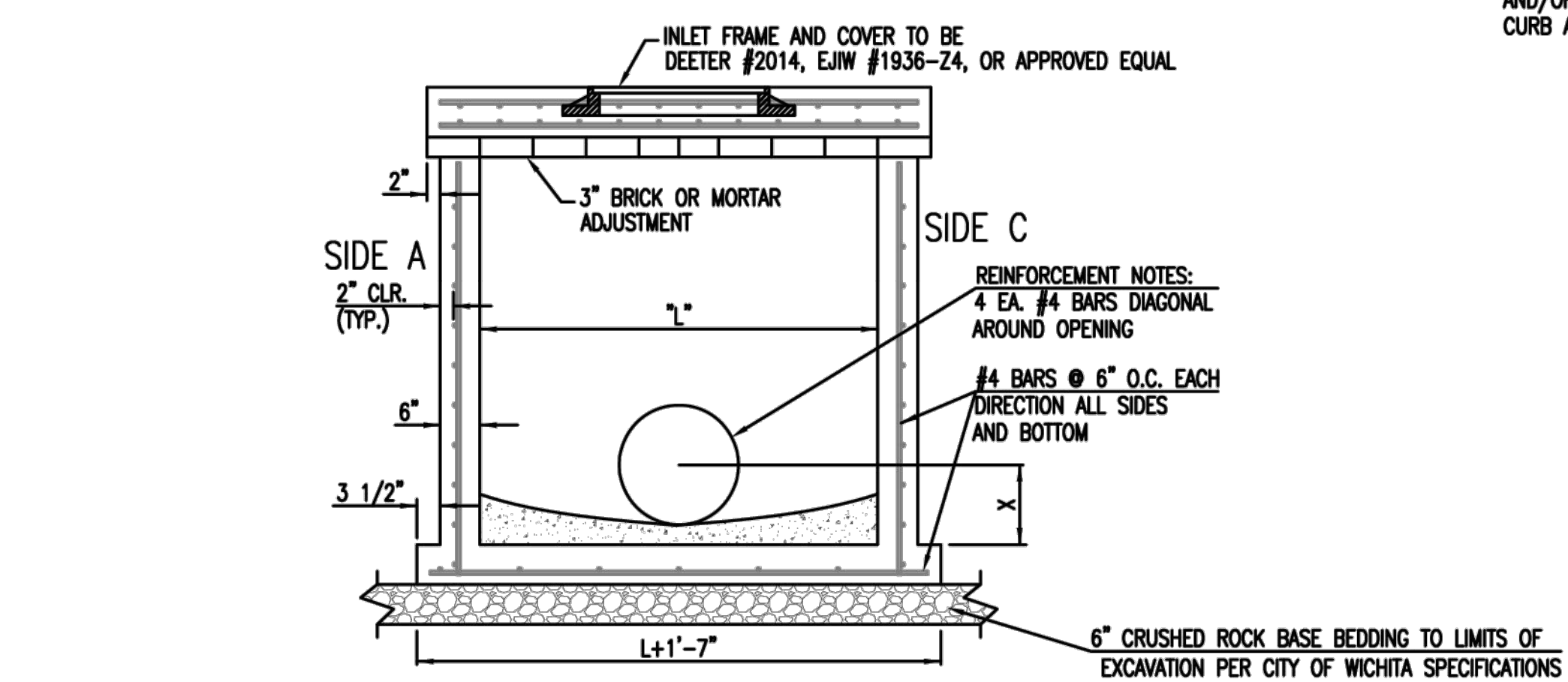
BAR SCHEDULE		
INLET OPENING	B1 BARS	SPACING
5'-0"	#4	4"
10'-0"	#6	3.5"

PRECAST CURB INLET WIDTHS			
W	PRE-CAST TOP SIZE		PIPE DIA.**
	WIDTH	LENGTH TOP	
3'-0"	W+8"	L+1'-4"	21" & SMALLER
4'-0"	W+8"	L+1'-4"	24" & 30"
5'-0"	W+8"	L+1'-4"	36" & 42"
6'-0"	W+8"	L+1'-4"	48" & 54"
7'-0"	W+8"	L+1'-4"	60" & 66"

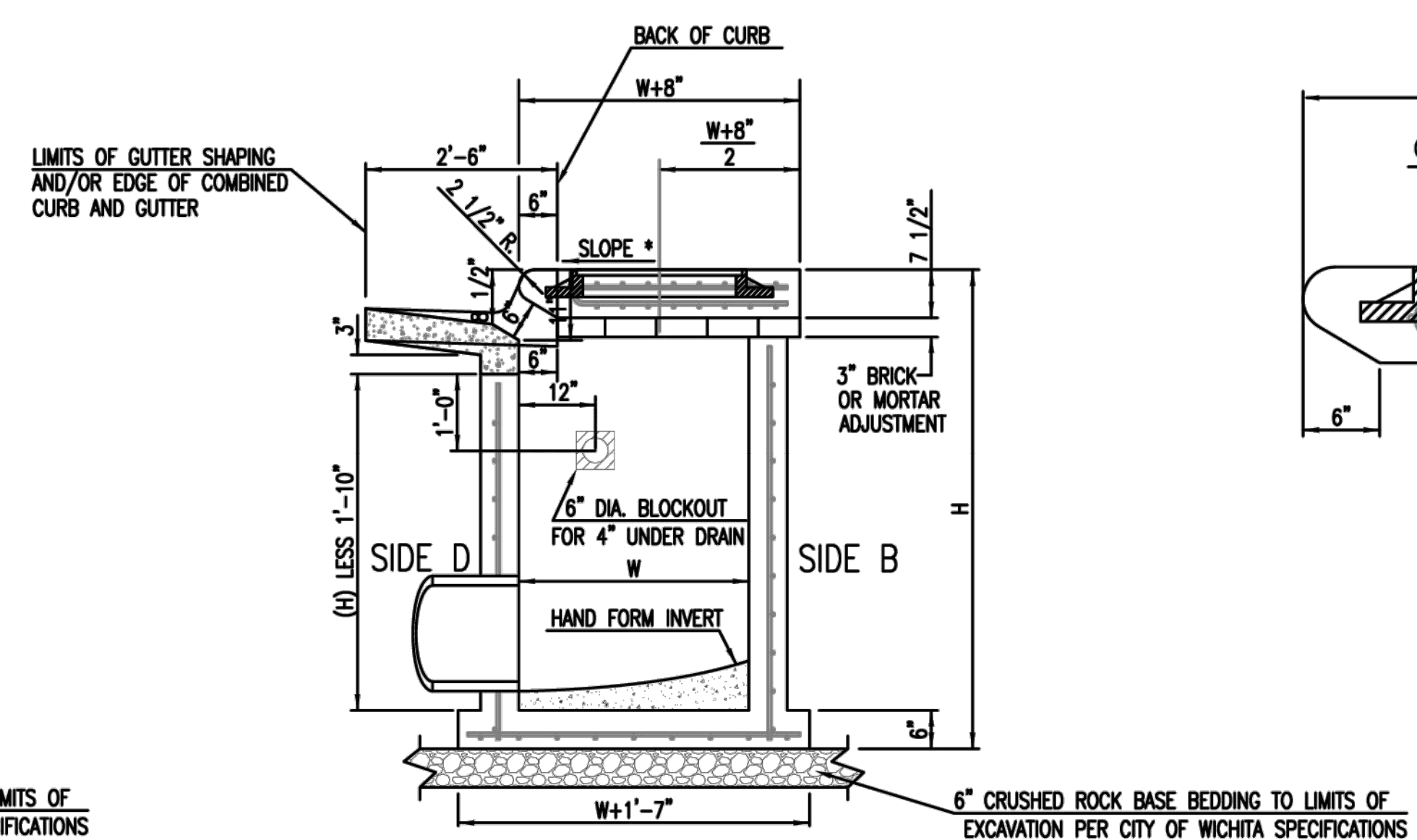
** FOR PIPES PERPENDICULAR TO INLET WALL

GENERAL NOTES

- CONCRETE TOPS TO BE INSTALLED ON THIN MORTAR CUSHION TO INSURE FULL SUPPORT ALONG BRICK. CONCRETE TOPS MAY BE CAST IN PLACE OR PRECAST. CONCRETE USED FOR INLET CONSTRUCTION SHALL CONFORM TO CITY OF WICHITA SPECIFICATIONS FOR CONCRETE PAVEMENT MIX.
- CONTRACTOR SHALL HAVE THE OPTION OF CONSTRUCTING 8" BRICK MASONRY WALLS BETWEEN THE CONCRETE INLET BASE AND TOP OF THIS INLET WHEN W=5'-0" AND H=7'-0" OR LESS.
- INLET INVERT SHALL BE SHAPED WITH 8 SACK SAND MIX CONCRETE TO CREATE FLOW CHANNELS AND TO INCREASE HYDRAULIC EFFICIENCY SUCH THAT THE INLET WILL BE SELF CLEANING BETWEEN ALL INLET AND/OR OUTLET PIPES.
- THE ENDS OF ALL PIPES INSTALLED IN INLETS SHALL BE CUT OFF FLUSH WITH THE INSIDE FACE OF THE INLET WALL.
- INLET FRAME AND COVER TO BE DEETER #2014, EJIW #1936 Z4, OR APPROVED EQUAL.
- CONTRACTOR SHALL REMOVE LIFTING HOOKS AFTER INSTALLATION. RECESSES IN INLET WALL SHALL BE GROUTED FLUSH TO THE INLET WALL WITH HYDRAULIC CEMENT AFTER THE INLET IS IN PLACE. LIFTING HOLES THRU THE INLET WALL WILL NOT BE ACCEPTED.

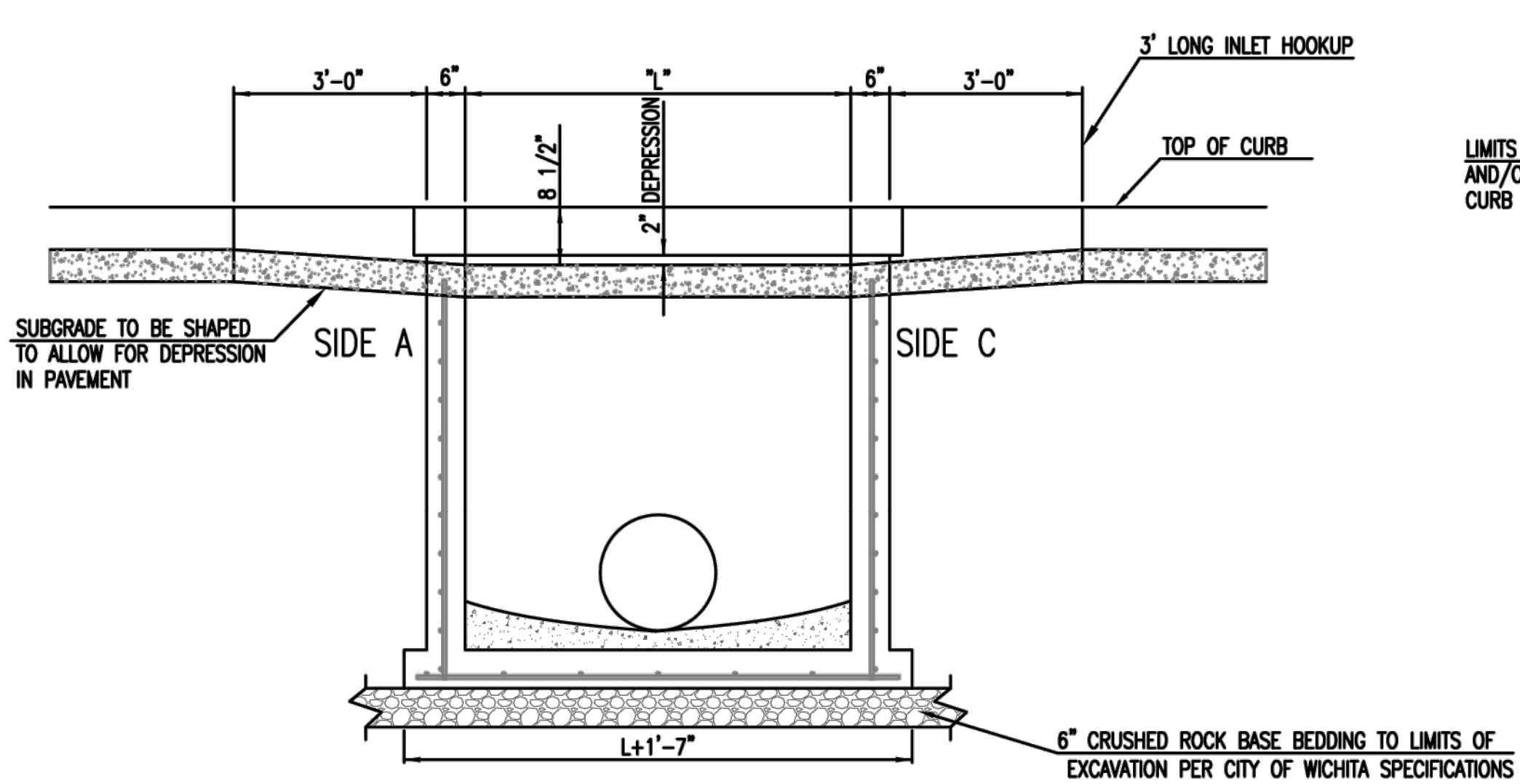


SECTION "A-A"

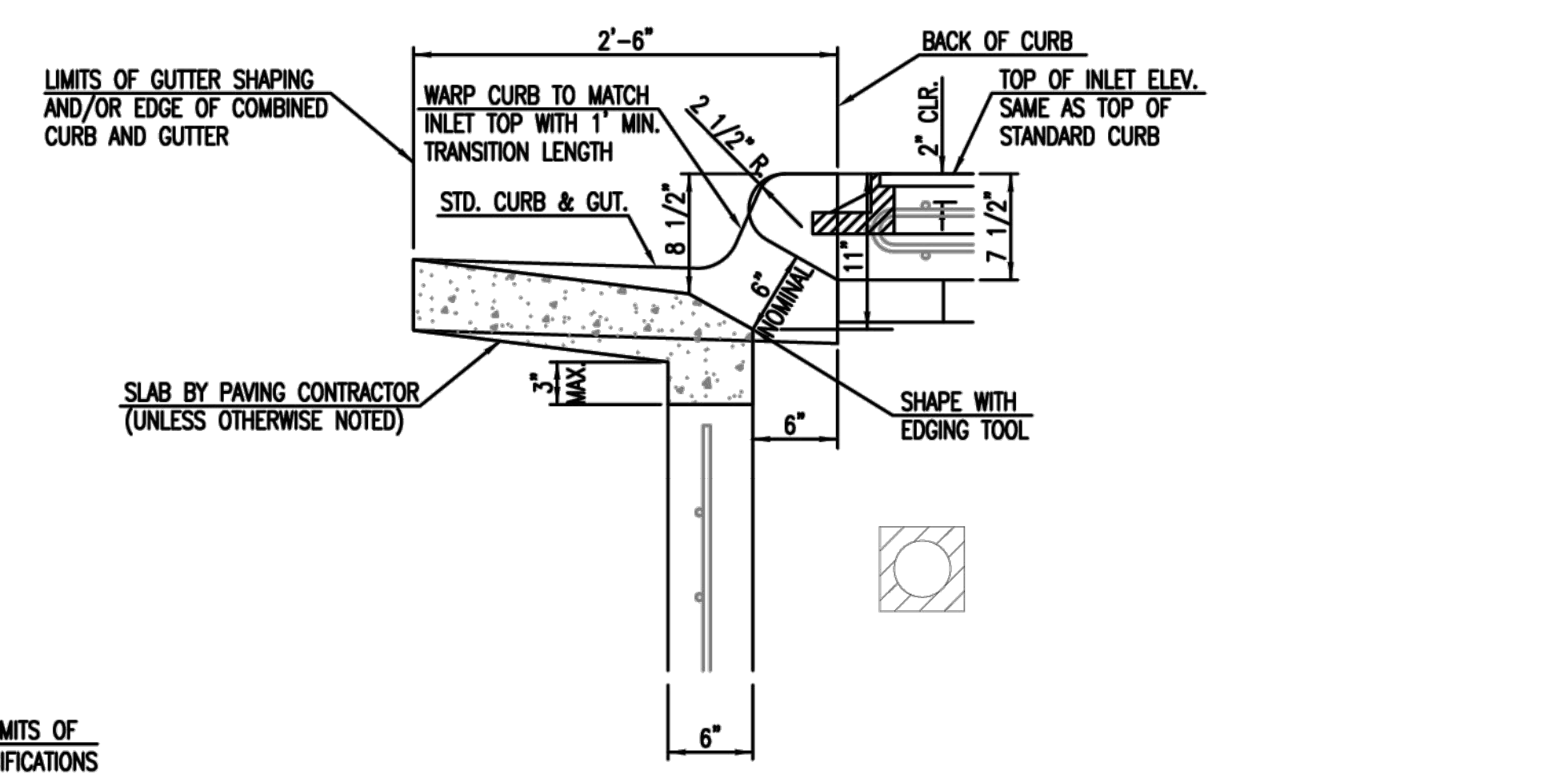


SECTION "C-C"

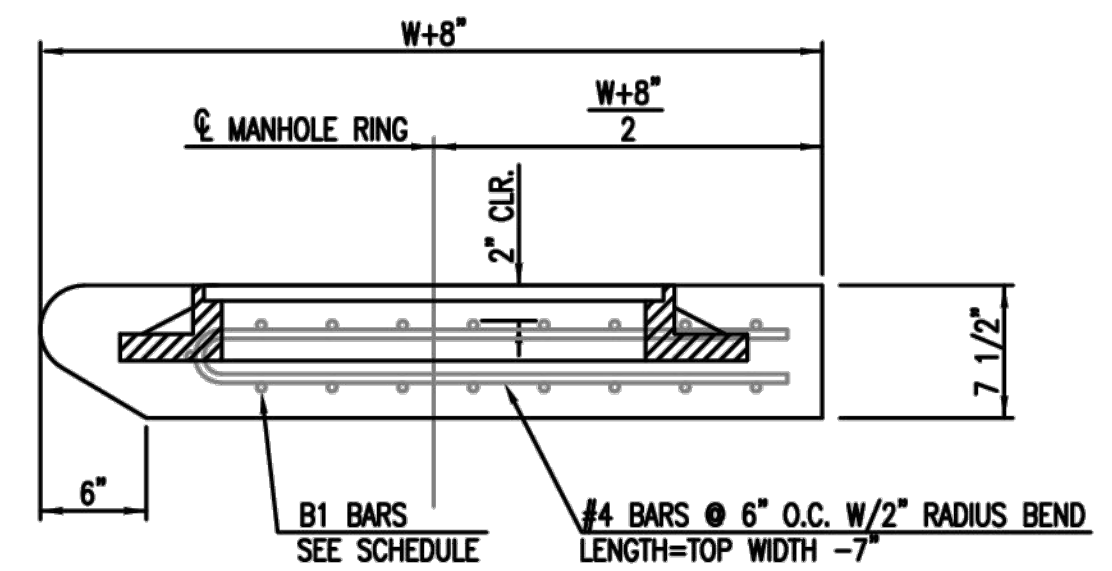
NOTES:
* SLOPE OF INLET TOP TO MATCH SIDEWALK OR PARKING SLOPES WITHIN LIMITS INDICATED.



SECTION "B-B"



SECTION "D-D"



File: L:\2023\141-2302463 - Greenbriar Box\Drawings\DESIGN\3886D Greenbriar Engineering Base.dwg, Last Saved: 3/29/2024 9:26 AM, Last saved by: KWL/lee
Last plotted by: Lee, Ken W., Plot Style: ---, Plot Date: 3/29/2024 11:33 AM, Plotter used: None



REVISED: MARCH 2015

STANDARD TYPE 1 CURB INLET
5'-0" OR 10'-0" OPENING

CITY ENGINEER
GARY JANZEN, P.E.

PROJECT NUMBER	OCA NUMBER	DATE
CITY ENGINEER'S OFFICE		SHEET
CITY HALL - SEVENTH FLOOR 455 NORTH MAIN STREET WICHITA, KANSAS 67202-1620 (316) 268-4501		

BY	DESCRIPTION	DATE	REV.

CITY OF WICHITA
KANSAS

GREENBRIAR BOX
REPLACEMENT

Type 1 Curb
Inlet Details

JOB NO.: 19T41013
DATE: JUNE 2019
DESIGNED BY: KWL
DRAWN BY: KWL

BAR IS ONE INCH ON ORIGINAL DRAWING
0 = ONE INCH ON THIS SHEET, ADJUST SCALES ACCORDINGLY.

DRAWING NUMBER

SHEET NUMBER **7** OF **10**